

REFERENCE:	Nova Bus Manuals
SECTION:	14: Heating and ventilation
RS N°:	MQR 7621-336
EFFECTIVE IN PROD.:	–

APPLICATION DEADLINE:2016JL01
CLAIM REFERENCE NUMBER: WB-3208

SUBJECT:	Auxiliary heater pump			
JUSTIFICATION:	New auxiliary heater pump piping configuration.			
LEVEL	DESCRIPTION	DIRECT CHARGES		TIME
		LABOUR	MATERIAL	
1	New auxiliary heater pump piping configuration.	Nova Bus	Nova Bus	3 hours
2	–	–	–	–

MATERIAL

QTY	PART N°	REV.	DESCRIPTION	REPLACES PART N°
LEVEL 1				
1	N81145	–	PIPE ASSY SUCTION ROTRON PUMP	–
1	N20400	–	DRAIN COCK M-NPT-6/M-NPT-2	–
1	2389154	–	GASKET WATER PUMP	–
1	N55583	–	WASHER NORD-LOCK M10 SS A4	–
2	0426370	–	SCREW SOCKET HD M/S 3/8-16X1 Z	–
2	N44888	–	NUT LOCKNYL M8 FL YP C8	–
1	N44882-03	–	SCREW M8X30 FL YP C8.8 D6921	–
1	N31320-10	–	SUPPORT CLAMP LOOP TYPE 1.375" DIA	–
1	N77713	–	ADAPTER NPTM-12/JIC-M-20	–
1	N81146	–	HOSE FLEXIBLE DOG-LEG 1-1/4"	–
1	N81147	–	BRACKET SUPPORT PIPE HTR ISL07	–
LEVEL 2				
–	–	–	–	–

Materials will be available within 42 days. To order, please contact Prevost Parts by phone at 1-800-771-6682, by fax at 1-888-668-2555 or by email at prevostparts.commandes@volvo.com. Specify document number, quantity of parts required and shipping address.

DISPOSAL OF PARTS

REMOVED PARTS ARE:	DISCARDED *	RETAINED	* Dispose of the unused parts and the defective parts in accordance with local environmental standards in effect.
	Yes	–	

REVISION HISTORY

REV.	DATE	CHANGE DESCRIPTION	WRITTEN BY
NR	2014SE08	Initial release	Bertrand Plouffe

APPROVED BY:

PAGE 1 OF 6

CLIENT	ORDER	ROAD NUMBER		VIN (2NVY/4RKY...)		QTY
		FROM	TO	FROM	TO	
New York City Transit - New York	L536	1200	1201	S92U793000490	S92U993000491	2
New York City Transit - New York	L545	1202	1289	S92U5A4000001	S92U0A4000098	88

**WARNING**

Follow your internal safety procedures.

PROCEDURE

- 1.1. Raise the vehicle.

**CAUTION**

For information on hoisting and towing of the vehicle, see section 18: HOISTING AND TOWING in the Nova Bus maintenance manual. Respect your internal safety procedures. Use appropriate hoisting equipment for your protection.

- 1.2. Open the rear engine access door.
- 1.3. Locate the auxiliary heater pump. See Figure 1.

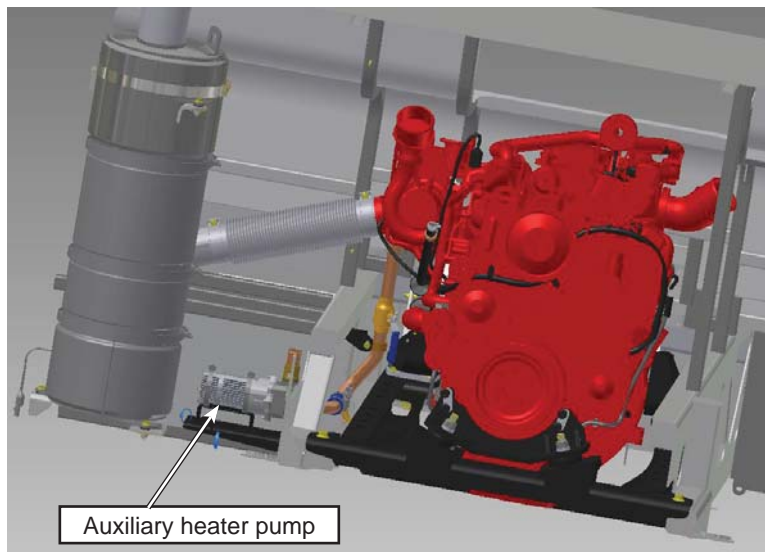


Figure 1 - Auxiliary Heater Pump Location

- 1.4. Drain the fluid from the engine and the auxiliary heater pump in accordance with section 14: HEATING AND VENTILATION of the Nova Bus maintenance manual.
- 1.5. Lift the rear seat and open the engine/transmission access door.

- 1.6. Remove the parts from the auxiliary heater pump flange to the engine block. See Figure 2. Discard the hardware.

**NOTE**

To remove the engine block fitting, use the tool specifically designed for this purpose. To order the tool, contact your Nova Bus service representative. See Figure 3.

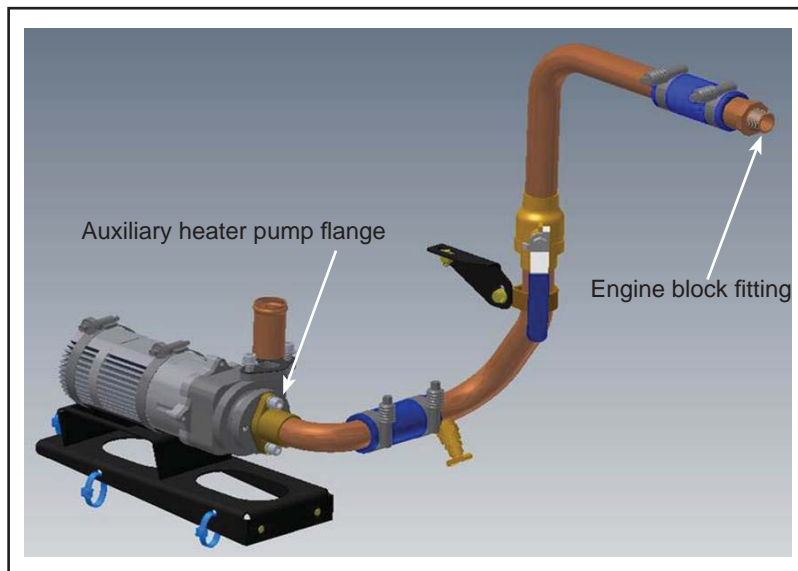


Figure 2 - Parts to be Removed



Figure 3 - Special Tool to Remove the Fitting

- 1.7. Install N81145 pipe assembly to the auxiliary pump with 2x 042670 screws, 2x N55583 washers and 2389154 gasket. See Figure 4.

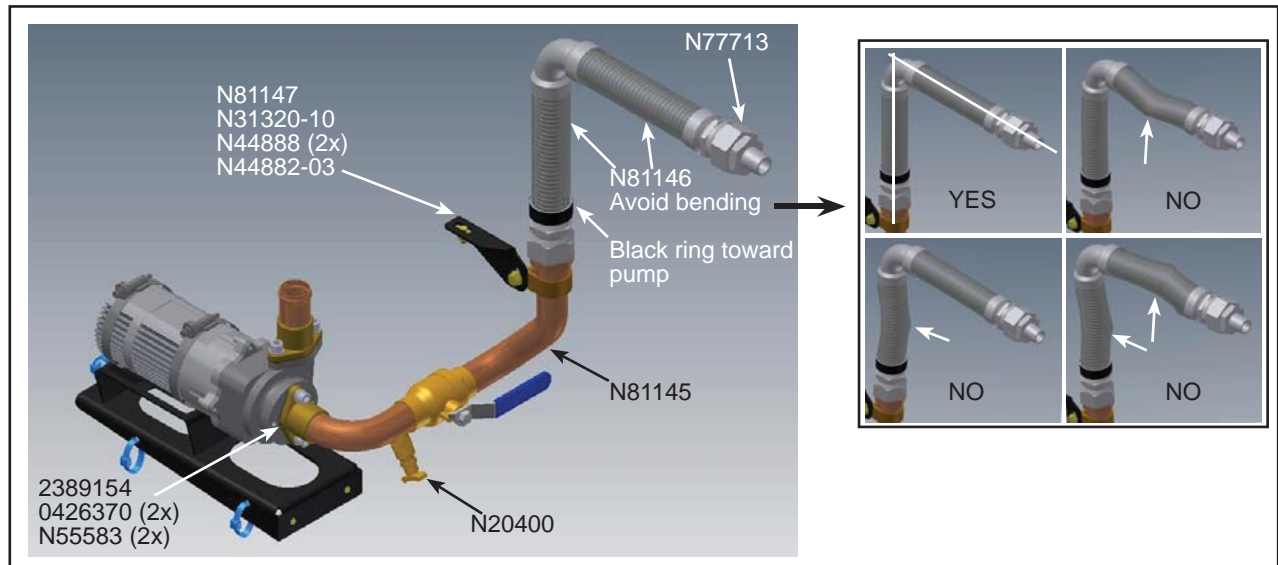


Figure 4 - Location of New Parts

- 1.8. Install N77713 adapter to the engine block.
1.9. Install N81146 hose to N81145 pipe and N77713 adapter. Torque to specified value. See Figure 6.



NOTE

When installing N81146 pipe, the black ring must face toward the pump. See Figure 4.

Make sure that the O-ring is installed in the flared end of the coolant pipe. See Figure 5.

N81146 flexible sections should be as straight as possible along both axes (vertically and horizontally). See Figure 4.

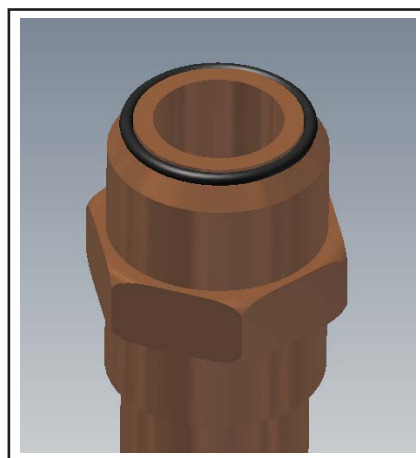


Figure 5 - O-ring in the Flare End of the Coolant Pipe (Part # 501803 if Required)

- 1.10. Install N20400 drain cock to N81145 pipe assembly. See Figure 4.
- 1.11. Install N81147 bracket support pipe with N44888 nut and install N313320-10 clamp with N44882-03 screw and N44888 nut. Torque to specified value. See Figure 6.

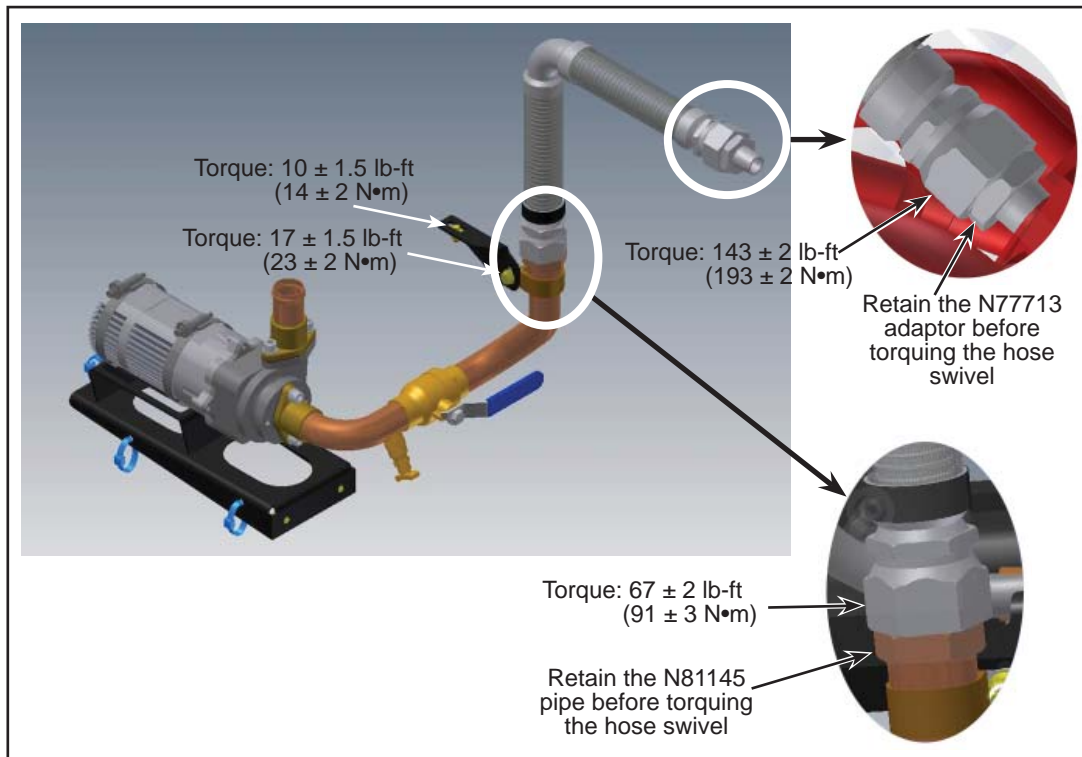


Figure 6 - Specified Torque Values

- 1.12. Fill the cooling system in accordance with sections 14: **HEATING AND VENTILATION** and 09: **ENGINE AND COOLING** of the Nova Bus maintenance manual.
- 1.13. Lower the vehicle.
- 1.14. Start engine and check newly installed pipe and hose for leaks. Ensure coolant is at proper level.
- 1.15. Close the engine/transmission access door under the rear seat and lower the rear seat.
- 1.16. Close the rear engine access door.
- 1.17. The vehicle may be returned to service. ❖