

TECHNICAL BULLETIN  
LTB00691NAS1  
25 SEP 2015



© Jaguar Land Rover North America, LLC

NOTE: The information in Technical Bulletins is intended for use by trained, professional Technicians with the knowledge, tools, and equipment required to do the job properly and safely. It informs these Technicians of conditions that may occur on some vehicles, or provides information that could assist in proper vehicle service. The procedures should not be performed by 'do-it-yourselfers'. If you are not a Retailer, do not assume that a condition described affects your vehicle. Contact an authorized Land Rover service facility to determine whether this bulletin applies to a specific vehicle.

**SECTION: 206-04**

'Squeal' Noise From Rear Brakes During Light Braking - High Performance Brakes Only

**AFFECTED VEHICLE RANGE:**

**Range Rover Sport (LW)**

**Model Year:** 2014

**VIN:** 001154-385302

**Manufacturing Plant:** Solihull

**With:** High Performance Brakes

**Range Rover (LG)**

**Model Year:** 2013-2014

**VIN:** 001204-181794

**Manufacturing Plant:** Solihull

**With:** High Performance Brakes

**MARKETS:**

NAS

**CONDITION SUMMARY:**

**Situation:** On vehicle fitted with the High Performance Brake system, a 'squeal' noise may be heard from the rear brakes during light braking at low speeds.

**Cause:** This may be caused by the shape of the rear brake pad allowing it to resonate and cause a 'squeal' noise.

**Action:** Should a customer express this concern, follow the Service Instruction below.

**PARTS:**

LR065492 Rear brake pad set Quantity: 1


LR033295 Rear brake pad wear sensor Quantity: 1

**TOOLS:**

Refer to Workshop Manual for any required special tools.

SECTION: 206-04

**WARRANTY:**

 **NOTE: Repair procedures are under constant review, and therefore times are subject to change; those quoted here must be taken as guidance only. Always refer to TOPIx to obtain the latest repair time.**

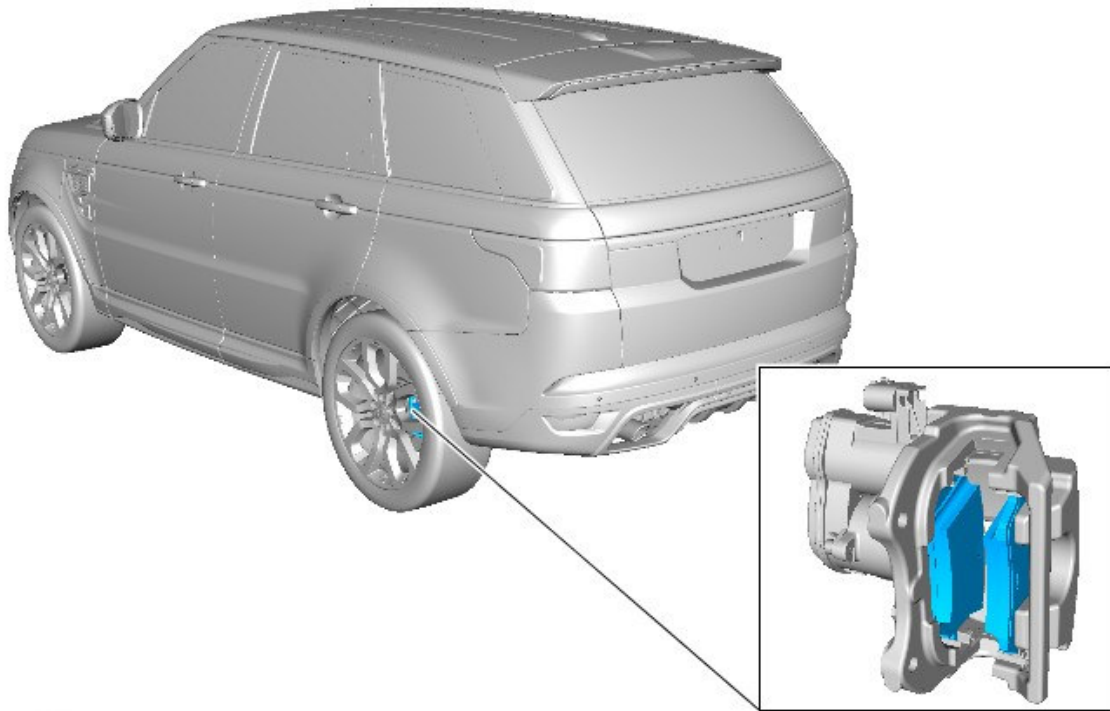
 **NOTE: DDW requires the use of causal part numbers. Labor only claims must show the causal part number with a quantity of zero.**

DESCRIPTION	SRO	TIME (HOURS)	CONDITION CODE	CAUSAL PART
Pads - Rear - Set - Renew	70.40.03	1.1	42	LR036574

 **NOTE: Normal Warranty procedures apply.**

**REAR DISC BRAKES**

**1**Location of the rear brake pads.



E183607

**SERVICE INSTRUCTION:**

1Renew the rear brake pads (see TOPIx Workshop Manual, section 206-04: Rear Disc Brake).