

Short Pin Installation during PDS

Service Category General

Section Pre-Delivery Service

Market USA

Lexus Supports
ASE Certification 

Applicability

YEAR(S)	MODEL(S)	ADDITIONAL INFORMATION
2016	CT200H	

Introduction

To minimize battery discharge during transportation and storage, the Short Pin has been removed at the assembly plant and temporarily stored in the engine compartment Relay Block.

Reinstall the Short Pin and confirm all related DTCs are cleared during Pre-Delivery Service (PDS).

Warranty Information

OP CODE	DESCRIPTION	TIME	OFF	T1	T2
N/A	Not Applicable to Warranty	-	-	-	-

Required Tools & Equipment

REQUIRED EQUIPMENT	SUPPLIER	PART NUMBER	QTY
Techstream 2.0*	ADE	TS2UNIT	1
Techstream Lite		TSLITEPDLR01	

* Essential SST.

NOTE

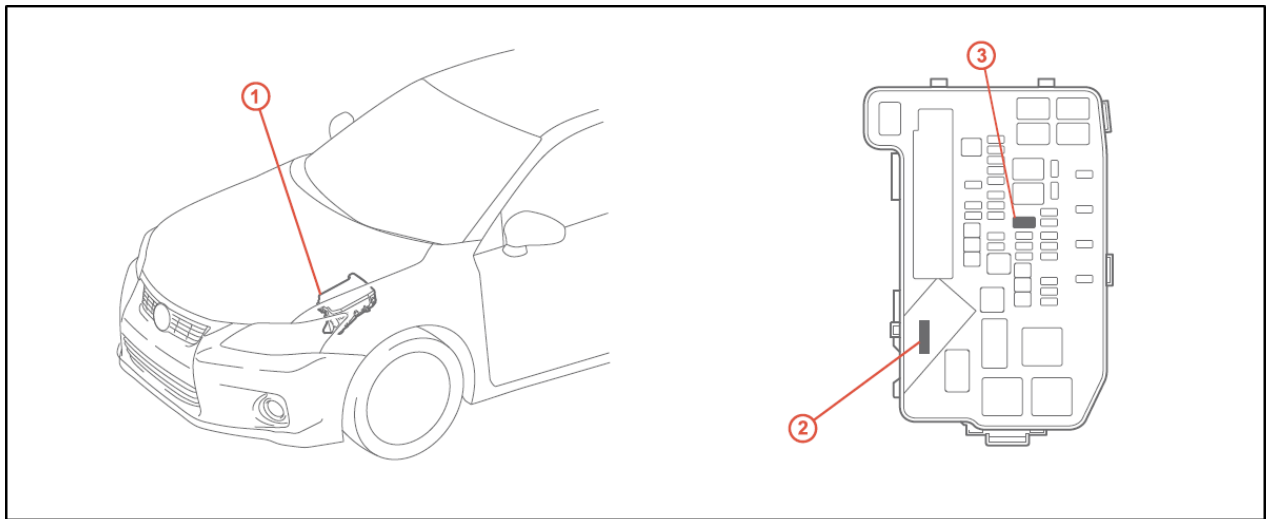
- Only ONE of the Techstream units listed above is required.
- Software version 10.10.018 or later is required.
- Additional Techstream units may be ordered by calling Approved Dealer Equipment (ADE) at 1-800-368-6787.

Short Pin Installation during PDS

Repair Procedure

Remove the Short Pin from the blank space of the Relay Block in the engine compartment and install the Short Pin as shown in Figure 1.

Figure 1.



1	Relay Block
2	Short Pin Storage Location

3	Install Short Pin Here (Original Location)
----------	--

NOTE

- The Short Pin does not function as a fuse, so only install it in the position shown above.
- If the vehicle is stored after PDS, disconnect the negative (-) battery terminal to prevent battery discharge. Refer to Service Bulletin No. [PG001-06](#), "Battery Maintenance for In-Stock Vehicles & Pre-Delivery".

Short Pin Installation during PDS

DTC Clearing Procedure

With the Short Pin removed, the Occupant Classification ECU and Center Airbag Sensor Assembly (airbag ECU) may detect the interruption in battery voltage (B+) and store a DTC. Clear DTCs B1650, B1794, and U0208 after installing the Short Pin.

1. Connect Techstream to the DLC3.
2. Cycle the ignition switch to the "IG-ON" position.
3. Using Techstream, check for stored DTCs

NOTE

If any DTCs besides B1650, B1794, and U0208 are stored, repair the applicable system according to the Repair Manual.

4. Erase DTCs (B1650, B1794, and U0208) and Freeze Frame Data.