

Front & Rear License Plate & Mounting Bracket Installation

Service Category General

Section Pre-Delivery Service

Market USA

Lexus Supports
ASE Certification 

Applicability

YEAR(S)	MODEL(S)	ADDITIONAL INFORMATION
2016	CT200H	

Introduction

The following procedures are recommended for front and rear license plate installation on 2016 model year CT 200h vehicles. The front license plate mounting bracket and two self-tapping screws are placed in the luggage compartment of the vehicle at the assembly plant.

For states that require a front license plate, install the bracket and bolts on the bumper cover during Pre-Delivery Service (PDS) according to the following procedures.

NOTE

The rear license plate should be installed using non-corroding self-tapping screws.

Warranty Information

OP CODE	DESCRIPTION	TIME	OFP	T1	T2
N/A	Not Applicable to Warranty	-	-	-	-

Front & Rear License Plate & Mounting Bracket Installation

Installation Procedure

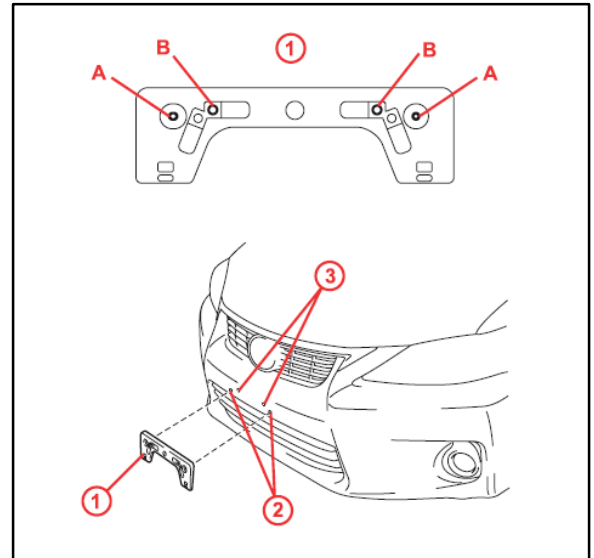
Front License Plate:

1. Align holes "A" of the mounting bracket with the dimples on the front bumper cover. Mark the location of holes "B" on the front bumper cover.

NOTE

- Holes "A" are used to install the mounting bracket to the bumper cover.
- Holes "B" are used for installation of the front license plate to the mounting bracket.

Figure 1.



1	Mounting Bracket
2	Dimples
3	Mark and Drill Holes

2. Drill 2 relief holes with a diameter of 11 mm (0.43 in.) at the marks on the front bumper cover (holes "B" location) to prevent the license plate retaining bolt ends from contacting the cover.

NOTE

Do NOT drill into the dimples on the front bumper cover.

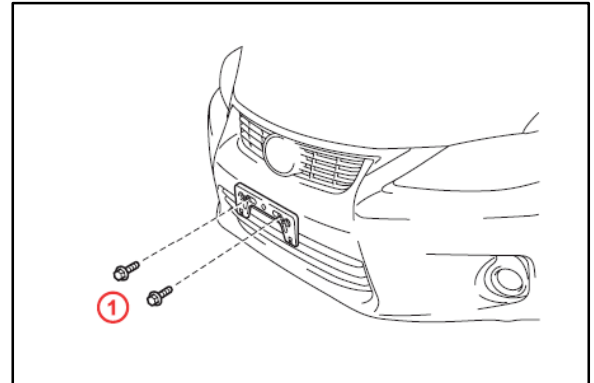
Front & Rear License Plate & Mounting Bracket Installation

Installation Procedure (Continued)

Front License Plate (Continued):

3. Install the mounting bracket to the front bumper cover at holes "A" using the 2 supplied self-tapping screws.

Figure 2.



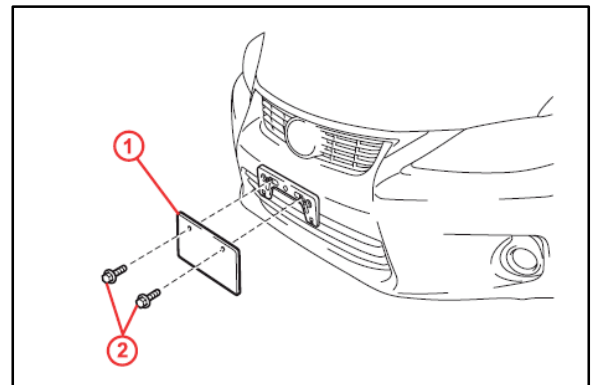
1	Self-Tapping Screws into Holes "A"
----------	---

4. Install the front license plate to the mounting bracket at holes "B" using 2 non-corroding bolts with the following dimensions.

Nominal Length: 15.0 mm (0.59 in.)

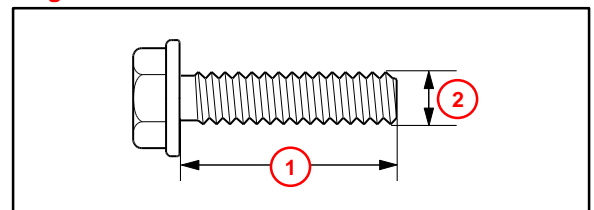
Diameter: 6.0 mm (0.24 in.)

Figure 3.



1	Front License Plate
2	Bolts

Figure 4.



1	Nominal Length
2	Diameter

Front & Rear License Plate & Mounting Bracket Installation

Installation Procedure (Continued)

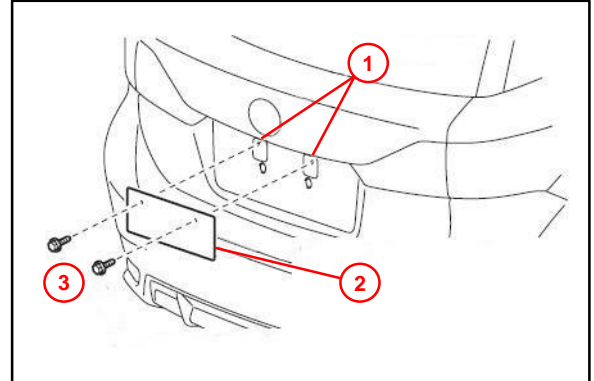
Rear License Plate:

1. Align the installation holes of the rear license plate with the retainer on the back door.
2. Install the rear license plate to the retainer on the back door using two (2) non-corroding self-tapping screws with the following dimensions

Nominal Length: 16.0 mm (0.63 in.)

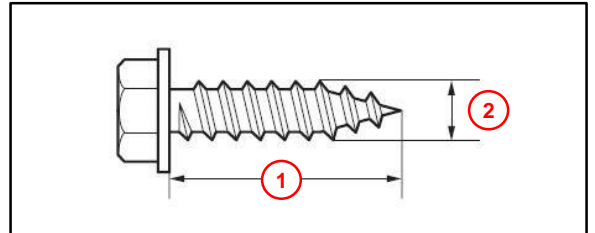
Diameter: 6.0 mm (0.24 in.)

Figure 1.



1	Retainer
2	License Plate
3	Self-Tapping Screws

Figure 2.



1	Nominal Length
2	Diameter