

Initial Calibration of Compass during PDS

Service Category General

Section Pre-Delivery Service

Market USA

Lexus Supports ASE Certification 

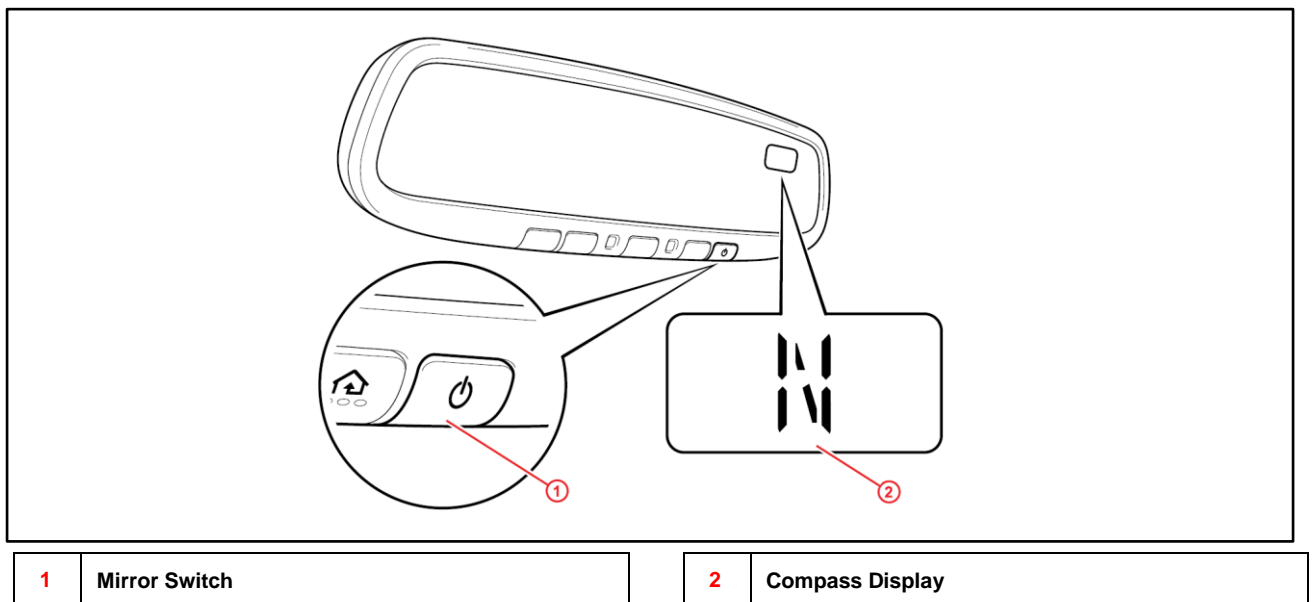
Applicability

YEAR(S)	MODEL(S)	ADDITIONAL INFORMATION
2016	NX200T, NX300H	

Introduction

Some 2016 model year NX 200t and NX 300h vehicles are equipped with a compass in the rear view mirror. Use one of the two following procedures to complete the initial calibration of the compass during Pre-Delivery Service (PDS).

Figure 1.



Warranty Information

OP CODE	DESCRIPTION	TIME	OFF	T1	T2
N/A	Not Applicable to Warranty	-	-	-	-

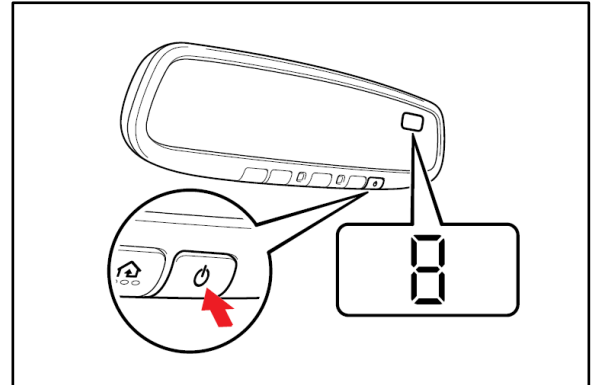
Initial Calibration of Compass during PDS

Calibration Procedure – Deviation Method

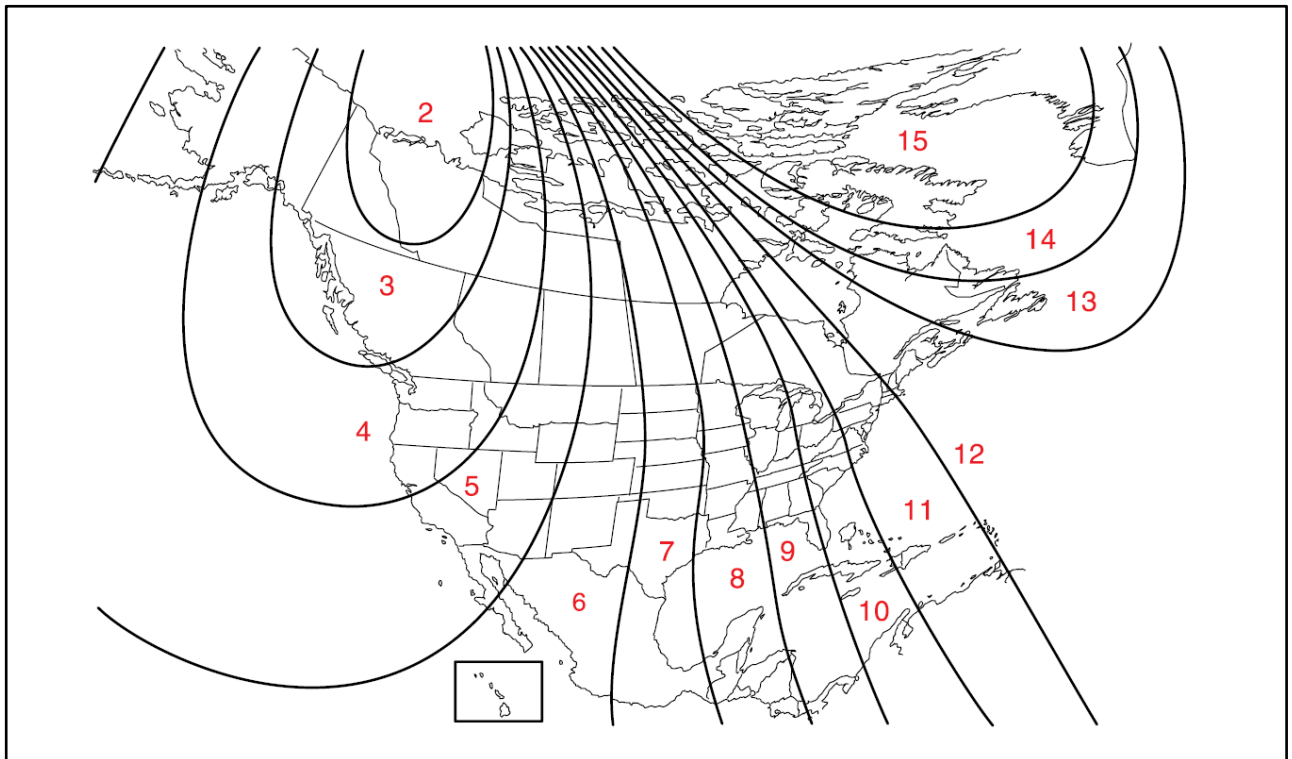
Cycle the ignition switch to the "IG-ON" position. Push and hold the Mirror Switch until the zone number (1 – 15) appears on the display. Then push the switch to select the number of the zone where the vehicle is located.

NOTE

Pushing the Mirror switch turns the compass display ON or OFF.

Figure 2.

See the map for zone reference

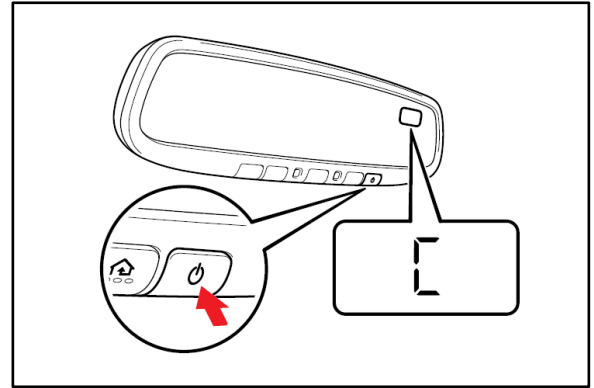
Figure 3.

Initial Calibration of Compass during PDS

Calibration Procedure – Driving Method

1. Start the engine and push and hold the Mirror switch until “C” appears on the display.

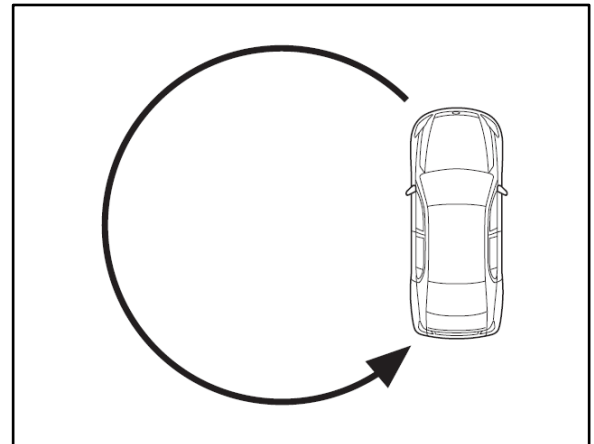
Figure 4.



2. Drive the vehicle slowly at 5 mph (8 km/h), or less, in a circle until the direction is displayed. If there is NOT enough space to drive in a circle, perform 2 three-point turns in succession.

The direction of travel should appear on the display after driving in 1-3 circles in the method described above.

Figure 5.



NOTE

- Do NOT perform calibration of the compass in a place where the Earth’s magnetic field is subject to interference (underground parking, under a steel tower, between buildings, roof parking, near a railroad crossing, near a large vehicle, etc.)
- During calibration, do NOT operate electric systems (sliding roof, power windows, etc.) as they may interfere with the calibration.