

# TOYOTA LAND CRUISER

## 2016 PRE-DELIVERY SERVICE CHECK SHEET

October 2015

BEFORE INSPECTION	OK	Adjust Repair
1 Install D/C Cut Fuse* (30A) (see Page 2) .....	<input type="checkbox"/>	<input type="checkbox"/>
FUNCTIONAL OPERATION		
<i>Apply parking brake and cycle ignition "IG-ON"; place gear selector in reverse; turn on lights and rear defogger. Unlock all doors, release fuel door, release trunk hatch.</i>		
1 Check dome, courtesy, map, and sun visor lights* .....	<input type="checkbox"/>	<input type="checkbox"/>
2 Check warning/indicator lights, gauges, and horn .....	<input type="checkbox"/>	<input type="checkbox"/>
3 Check windshield wipers and washer .....	<input type="checkbox"/>	<input type="checkbox"/>
4 Check headlights, instrument lights, turn signals, emergency flashers, and brake lights .....	<input type="checkbox"/>	<input type="checkbox"/>
5 Check inside/outside rear view mirror operation/adjustment .....	<input type="checkbox"/>	<input type="checkbox"/>
6 Check cigarette lighter* and power outlets .....	<input type="checkbox"/>	<input type="checkbox"/>
7 Check audio/navigation*/backup camera* systems and set clock .....	<input type="checkbox"/>	<input type="checkbox"/>
8 Install shift-lock override button cover .....	<input type="checkbox"/>	<input type="checkbox"/>
9 Check sliding roof* .....	<input type="checkbox"/>	<input type="checkbox"/>
10 Check Rear Seat Entertainment system operation* .....	<input type="checkbox"/>	<input type="checkbox"/>
11 Check Curtain Shield Airbag Roll Sensing switch & light* .....	<input type="checkbox"/>	<input type="checkbox"/>
12 Confirm Automatic Door Lock (ADL) function .....	<input type="checkbox"/>	<input type="checkbox"/>
WALKAROUND INSPECTION		
<i>Start at left front door. Check window and door lock operation (from master power switch, if equipped). Continue around vehicle in a counterclockwise direction checking each door and window operation, child door locks, seat belts, interior condition, all lights, luggage compartment contents. Finish by checking headlight aim and continue into UNDER HOOD checks.</i>		
1 Check Smart Key System .....	<input type="checkbox"/>	<input type="checkbox"/>
2 Check window operation .....	<input type="checkbox"/>	<input type="checkbox"/>
3 Check that engine starts with all keys .....	<input type="checkbox"/>	<input type="checkbox"/>
4 Check that child safety door locks are in normal (unlocked) position .....	<input type="checkbox"/>	<input type="checkbox"/>
5 Check seats and seat belt operation .....	<input type="checkbox"/>	<input type="checkbox"/>
6 Check rear defogger/rear view mirror defogger* .....	<input type="checkbox"/>	<input type="checkbox"/>
7 Check side marker, tail, backup, and license plate lights .....	<input type="checkbox"/>	<input type="checkbox"/>
8 Check luggage compartment light and trim appearance .....	<input type="checkbox"/>	<input type="checkbox"/>
9 Check jack and tool installation .....	<input type="checkbox"/>	<input type="checkbox"/>
10 Check headlight aim .....	<input type="checkbox"/>	<input type="checkbox"/>
UNDER HOOD		
1 Check engine oil fluid level .....	<input type="checkbox"/>	<input type="checkbox"/>
2 Check brake and power steering fluid levels .....	<input type="checkbox"/>	<input type="checkbox"/>
3 Check engine coolant level .....	<input type="checkbox"/>	<input type="checkbox"/>
4 Check windshield washer fluid level .....	<input type="checkbox"/>	<input type="checkbox"/>
5 Check battery state-of-charge using Digital Battery System Analyzer (SOC Reading: _____%) .....	<input type="checkbox"/>	<input type="checkbox"/>
6 Inspect for fuel, oil, coolant, and other fluid leaks .....	<input type="checkbox"/>	<input type="checkbox"/>
* Inspect or install when equipped/required.		
Notes:		

UNDER VEHICLE (ON HOIST)	OK	Adjust Repair
1 Remove disc brake anti-rust covers/anti-corrosion wheel film* .....	<input type="checkbox"/>	<input type="checkbox"/>
2 Inspect tires for defects/damage and adjust spare tire air pressure .....	<input type="checkbox"/>	<input type="checkbox"/>
3 Initialize Tire Pressure Warning System (TPWS) (see page 2) .....	<input type="checkbox"/>	<input type="checkbox"/>
4 Install wheel covers/caps/spare tire wheel covers* .....	<input type="checkbox"/>	<input type="checkbox"/>
5 Inspect for fuel, oil, coolant, and other fluid leaks .....	<input type="checkbox"/>	<input type="checkbox"/>
6 Inspect under the vehicle for damage, rust, etc .....	<input type="checkbox"/>	<input type="checkbox"/>
7 Visually check bolts and nuts on chassis and powertrain for looseness .....	<input type="checkbox"/>	<input type="checkbox"/>
8 Install rubber body plugs* .....	<input type="checkbox"/>	<input type="checkbox"/>
9 Initialize Parking Assist Monitor System* .....	<input type="checkbox"/>	<input type="checkbox"/>
ROAD TEST		
<i>A complete road test helps assure customer satisfaction. Drive vehicle over a variety of road surfaces and driving conditions. Check for unusual noise and driving performance.</i>		
<b>Enter Odometer Readings</b>		
Reading Before Test: _____ Reading After Test: _____		
1 Check cold engine operation .....	<input type="checkbox"/>	<input type="checkbox"/>
2 Check engine operation during warm-up .....	<input type="checkbox"/>	<input type="checkbox"/>
3 Check engine at normal operating temperature .....	<input type="checkbox"/>	<input type="checkbox"/>
4 Check automatic transmission operation .....	<input type="checkbox"/>	<input type="checkbox"/>
5 Check brake and parking brake operation .....	<input type="checkbox"/>	<input type="checkbox"/>
6 Check steering operation and off-center/vehicle pull/flutter .....	<input type="checkbox"/>	<input type="checkbox"/>
7 Inspect for abnormal noise and vibration .....	<input type="checkbox"/>	<input type="checkbox"/>
8 Inspect for squeaks and rattles .....	<input type="checkbox"/>	<input type="checkbox"/>
9 Check front and rear* heater and A/C operation .....	<input type="checkbox"/>	<input type="checkbox"/>
10 Check cruise control operation* .....	<input type="checkbox"/>	<input type="checkbox"/>
11 Check front seat heater/ventilation operation* .....	<input type="checkbox"/>	<input type="checkbox"/>
FINAL INSPECTION AND CLEANING		
1 Remove interior protective covers, unnecessary labels, tags, etc. (Remove just before delivery to customer) .....	<input type="checkbox"/>	<input type="checkbox"/>
2 Visually inspect all interior parts for installation, damage, fit, dirt, etc. ....	<input type="checkbox"/>	<input type="checkbox"/>
3 Verify floor mat application and install using retaining clips* .....	<input type="checkbox"/>	<input type="checkbox"/>
4 Verify green light is illuminated on SOS (Safety Connect) button* .....	<input type="checkbox"/>	<input type="checkbox"/>
5 Remove Rapgard™ and clear protective bumper film* .....	<input type="checkbox"/>	<input type="checkbox"/>
6 Wash and clean vehicle .....	<input type="checkbox"/>	<input type="checkbox"/>
7 Inspect paint finish for scratches, chips, rust, dents, damage, etc. ....	<input type="checkbox"/>	<input type="checkbox"/>
8 Inspect exterior body parts for proper installation, damage, rust, etc. ....	<input type="checkbox"/>	<input type="checkbox"/>
9 Place oil change sticker on inside of windshield, top left corner .....	<input type="checkbox"/>	<input type="checkbox"/>
10 Place Owner's Guide and first aid kit portfolio* in glove box .....	<input type="checkbox"/>	<input type="checkbox"/>
11 Perform Techstream Health Check .....	<input type="checkbox"/>	<input type="checkbox"/>
12 Install roof rack cross bars and leg covers .....	<input type="checkbox"/>	<input type="checkbox"/>
13 Install front license plate* (see page 2) .....	<input type="checkbox"/>	<input type="checkbox"/>
14 Install towing wire harness connector (see page 2) .....	<input type="checkbox"/>	<input type="checkbox"/>
15 Install receiver towing hitch cap .....	<input type="checkbox"/>	<input type="checkbox"/>

Completion and retention of this form is required to comply with Toyota's Warranty Policy.

TECHNICIAN'S SIGNATURE \_\_\_\_\_

SERVICE MANAGER'S SIGNATURE \_\_\_\_\_

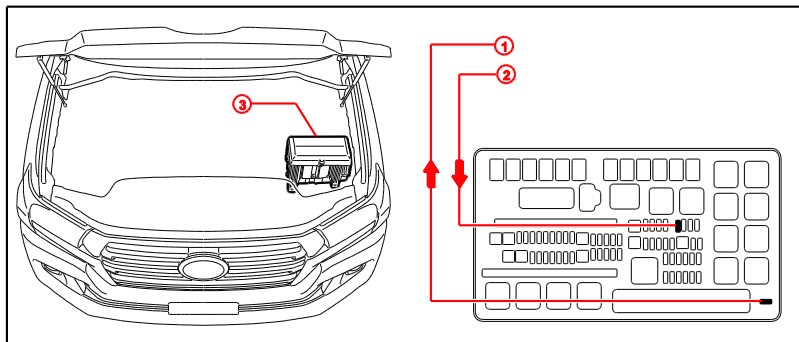
NAME (PLEASE PRINT) \_\_\_\_\_

NAME (PLEASE PRINT) \_\_\_\_\_

We hereby certify that all items on this form have been checked and corrected for proper operation as required.

## D/C CUT FUSE INSTALLATION

To minimize battery discharge, the D/C Cut Fuse (30A) has been removed and is stored in the engine compartment relay block.



- 1 Remove D/C Cut Fuse (30A)
- 2 Install D/C Cut Fuse (30A) here (Original Location)
- 3 Relay Block

## TIRE PRESSURE WARNING SYSTEM (TPWS) INITIALIZATION

The Land Cruiser is equipped with a direct-type TPWS. Each tire (including the spare) has a tire pressure warning valve/sensor that measures tire pressure. The sensors must first be initialized prior to operation. Refer to the Repair Manual for the [Initialization procedure](#). Remove the ID number labels from each wheel when initialization is complete.

### NOTE

To adjust the tire pressure correctly when the outside temperature is significantly colder than shop temperature, perform a Health Check using Techstream and select the “Compensation Tire Pressure” checkbox. Compensation pressures will be displayed on the Health Check results screen. Adjust the tire pressure when the tires are cold.

## FRONT LICENSE PLATE INSTALLATION\*

1. Align the holes on the license plate to the dimples on the front bumper.
2. Using 2 self-tapping screws, install the front license plate on the front bumper.

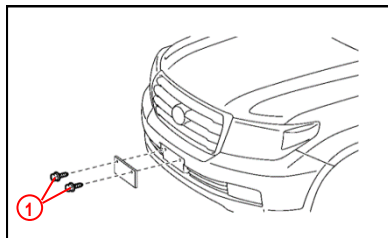
### NOTICE

- Do NOT pre-drill holes into the bumper.
- Do NOT over-tighten the self-tapping screws.

Use non-corroding self-tapping screws with the following dimensions.

Length: 16.5 — 20.0 mm  
(0.65 — 0.79 in.)

Diameter: 6.0 mm (0.24 in.)



1 Self-tapping Screws

## TOWING WIRE HARNESS INSTALLATION

The towing wire harness connector set is loaded in the vehicle at the assembly plant.

1. Connect the frame wire harness and the towing wire harness connector.
  - A. Remove the water resistant caps from the 2 frame wire harness connectors.
  - B. Connect the 2 frame wire harness connectors and 2 towing wire harness connectors.
2. Install the towing wire harness assembly bracket to the frame bracket with the 2 bolts.

Torque: 19.5 N\*m (199 kgf\*cm, 14 ft\*lbf)

