

2016 PRE-DELIVERY SERVICE CHECK SHEET

November 2015

BEFORE INSPECTION	OK	Adjust/Repair
1 Install Short Pin (see page 2)	<input type="checkbox"/>	

FUNCTIONAL OPERATION

Apply parking brake and cycle ignition "IG-ON"; place gear selector in reverse, turn on lights and rear defogger. Unlock all doors, release fuel door, release trunk hatch

1 Check dome, courtesy, map, and sun visor lights*	<input type="checkbox"/>	<input type="checkbox"/>
2 Check warning/indicator lights, gauges, and horn	<input type="checkbox"/>	<input type="checkbox"/>
3 Check windshield wipers and washer	<input type="checkbox"/>	<input type="checkbox"/>
4 Check headlights, instrument lights, turn signals, emergency flashers, and brake lights	<input type="checkbox"/>	<input type="checkbox"/>
5 Check inside/outside rear view mirror operation/adjustment*	<input type="checkbox"/>	<input type="checkbox"/>
6 Check cigarette lighter* and power outlets	<input type="checkbox"/>	<input type="checkbox"/>
7 Check audio/backup camera* systems and set clock*	<input type="checkbox"/>	<input type="checkbox"/>
8 Install shift-lock override button cover*	<input type="checkbox"/>	<input type="checkbox"/>
9 Check passenger airbag system cutoff switch and light*	<input type="checkbox"/>	<input type="checkbox"/>

WALKAROUND INSPECTION

Start at left front door. Check window and door lock operation (from master power switch, if equipped). Continue around vehicle in a counterclockwise direction checking each door and window operation, child door locks, seat belts, interior condition, all lights, luggage compartment contents. Finish by checking headlight aim and continue into UNDER HOOD checks.

1 Check door and door lock operation, including each wireless remote control/theft deterrent system*	<input type="checkbox"/>	<input type="checkbox"/>
2 Check window operation	<input type="checkbox"/>	<input type="checkbox"/>
3 Check that engine starts with all keys	<input type="checkbox"/>	<input type="checkbox"/>
4 Check that child safety door locks are in normal (unlocked) position*	<input type="checkbox"/>	<input type="checkbox"/>
5 Check seats and seat belt operation	<input type="checkbox"/>	<input type="checkbox"/>
6 Check side marker, tail, backup, cargo*, and license plate lights	<input type="checkbox"/>	<input type="checkbox"/>
7 Check jack and tool installation	<input type="checkbox"/>	<input type="checkbox"/>
8 Check headlight aim	<input type="checkbox"/>	<input type="checkbox"/>

UNDER HOOD

1 Check engine oil and ATM* fluid levels	<input type="checkbox"/>	<input type="checkbox"/>
2 Check brake, clutch*, and power steering fluid levels	<input type="checkbox"/>	<input type="checkbox"/>
3 Check engine coolant level	<input type="checkbox"/>	<input type="checkbox"/>
4 Check windshield washer fluid level	<input type="checkbox"/>	<input type="checkbox"/>
5 Check battery state-of-charge using Digital Battery System Analyzer (SOC Reading: _____%)	<input type="checkbox"/>	<input type="checkbox"/>
6 Inspect for fuel, oil, coolant, and other fluid leaks	<input type="checkbox"/>	<input type="checkbox"/>

* Inspect or install when equipped/required.

UNDER VEHICLE (ON HOIST)	OK	Adjust/Repair
1 Remove disc brake anti-rust covers/anti-corrosion wheel film*	<input type="checkbox"/>	
2 Inspect tires for defects/damage and adjust air pressure (including spare tire)	<input type="checkbox"/>	<input type="checkbox"/>
3 Initialize Tire Pressure Warning System (TPWS) (see page 2)	<input type="checkbox"/>	<input type="checkbox"/>
4 Install wheel covers/caps/spare tire wheel covers*	<input type="checkbox"/>	<input type="checkbox"/>
5 Inspect for fuel, oil, coolant, and other fluid leaks	<input type="checkbox"/>	<input type="checkbox"/>
6 Inspect under the vehicle for damage, rust, etc	<input type="checkbox"/>	<input type="checkbox"/>
7 Visually check bolts and nuts on chassis and powertrain for looseness	<input type="checkbox"/>	<input type="checkbox"/>

ROAD TEST

A complete road test helps assure customer satisfaction. Drive vehicle over a variety of road surfaces and driving conditions. Check for unusual noise and driving performance.

Enter Odometer Readings

Reading Before Test: _____ Reading After Test: _____

1 Check cold engine operation	<input type="checkbox"/>	<input type="checkbox"/>
2 Check engine operation during warm-up	<input type="checkbox"/>	<input type="checkbox"/>
3 Check engine at normal operating temperature	<input type="checkbox"/>	<input type="checkbox"/>
4 Check clutch*/transmission operation	<input type="checkbox"/>	<input type="checkbox"/>
5 Check brake and parking brake operation	<input type="checkbox"/>	<input type="checkbox"/>
6 Check steering operation and off-center/vehicle pull/flutter	<input type="checkbox"/>	<input type="checkbox"/>
7 Inspect for abnormal noise and vibration	<input type="checkbox"/>	<input type="checkbox"/>
8 Inspect for squeaks and rattles	<input type="checkbox"/>	<input type="checkbox"/>
9 Check front and rear* heater and A/C operation	<input type="checkbox"/>	<input type="checkbox"/>
10 Check cruise control operation*	<input type="checkbox"/>	<input type="checkbox"/>
11 Set/calibrate compass* (see page 2)	<input type="checkbox"/>	<input type="checkbox"/>

FINAL INSPECTION AND CLEANING

1 Remove interior protective covers, unnecessary labels, tags, etc. (Remove just before delivery to customer)	<input type="checkbox"/>
2 Verify floor mat application and install using retaining clips*	<input type="checkbox"/>
3 Visually inspect all interior parts for installation, damage, fit, dirt, etc.	<input type="checkbox"/>
4 Remove Rappard™ and clear protective bumper film*	<input type="checkbox"/>
5 Wash and clean vehicle	<input type="checkbox"/>
6 Inspect paint finish for scratches, chips, rust, dents, damage, etc.	<input type="checkbox"/>
7 Inspect exterior body parts for proper installation, damage, rust, etc.	<input type="checkbox"/>
8 Place oil change sticker on inside of windshield, top left corner	<input type="checkbox"/>
9 Place Owner's Guide and first aid kit portfolio* in glove box	<input type="checkbox"/>
10 Perform Techstream Health Check	<input type="checkbox"/>
11 Install front license plate* (see page 2)	<input type="checkbox"/>

Completion and retention of this form is required to comply with Toyota's Warranty Policy.

TECHNICIAN'S SIGNATURE	SERVICE MANAGER'S SIGNATURE	<i>We hereby certify that all items on this form have been checked and corrected for proper operation as required.</i>
NAME (PLEASE PRINT)	NAME (PLEASE PRINT)	

Date	Dealer Name	Dealer Code	Vehicle Identification Number (Sticker)
------	-------------	-------------	---

SHORT PIN INSTALLATION

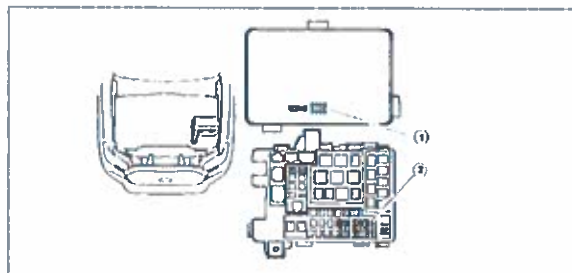
To minimize battery discharge the Short Pin has been removed and is stored in the engine compartment relay block. Install the Short Pin and confirm all related DTCs (B1650 and B1794) are cleared.

If any DTCs besides DTC B1650 and B1794 remain, repair the applicable system according to the Repair Manual.

NOTE

The Short Pin does NOT function as a fuse, so only install it in the position shown.

If the vehicle is stored in the dealership for a long period of time after PDS, disconnect the negative (-) battery terminal to prevent battery discharge. Refer to Service Bulletin No. PG001-06, "Battery Maintenance for In-Stock Vehicles & Pre-Delivery," for battery maintenance information.



- 1 Remove this Short Pin
- 2 Install the Short Pin (Original Location)

TIRE PRESSURE WARNING SYSTEM (TPWS) INITIALIZATION

Refer to the Repair Manual for the Initialization procedure. Please note the spare tire does not have a TPWS sensor. Remove the ID number labels that are attached to each wheel and discard.

NOTE

To adjust the tire pressure correctly when the outside temperature is significantly colder than shop temperature, perform a Health Check using Techstream and select the "Compensation Tire Pressure" checkbox. Compensation pressures will be displayed on the Health Check results screen. Adjust the tire pressure when the tires are cold.

COMPASS CALIBRATION

Refer to the Repair Manual for the Calibration procedure for vehicles equipped with a compass in the rear view mirror.

NOTE

- Do NOT perform calibration of the compass in a place where the Earth's magnetic field is subject to interference (underground parking, under a steel tower, between buildings, roof parking, near a railroad crossing, near a large vehicle, etc.).
- During calibration, do NOT operate electric systems (moon roof, power windows, etc.) as they may interfere with the calibration.

FRONT LICENSE PLATE & MOUNTING BRACKET INSTALLATION*

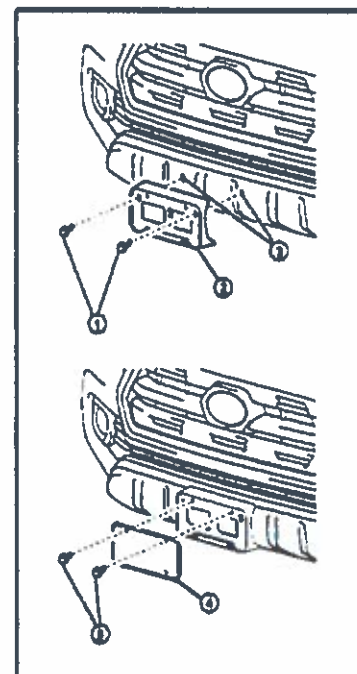
The front license plate mounting bracket set (front license plate mounting bracket and 4 self-tapping screws) are loaded in the vehicle at the assembly plant.

1. Align the holes on the front license plate mounting bracket with the dimples on the front of the bumper cover.
2. Install the 2 long self-tapping screws through the recessed holes on the front license plate mounting bracket and screw through the front bumper cover.

NOTICE

- Do NOT pre-drill holes into the bumper.
- Do NOT overtighten the self-tapping screws.

3. Insert the license plate onto the tabs on the bracket.
4. Align the holes on the license plate with the holes on the license plate bracket.
5. Install 1 short self-tapping screw through the driver side license plate hole extending into the bracket.
6. Install 1 short self-tapping screw through the passenger side license plate hole extending into the bracket.



- 1 Long self-tapping screw
- 2 License plate bracket
- 3 Dimples
- 4 License plate
- 5 Short self tapping screw