

Maintenance for HV & Auxiliary Batteries

Service Category General

Section Pre-Delivery Service

Market USA

Toyota Supports
 ASE Certification 

Applicability

YEAR(S)	MODEL(S)	ADDITIONAL INFORMATION
2016	Mirai, Prius, Prius C, Prius V	
2015	Prius, Prius C, Prius PHV, Prius V	

REVISION NOTICE

September 1, 2015 Rev1:

- Applicability has been updated to include 2016 model year Mirai, Prius, Prius C, and Prius V vehicles.

Any previous printed versions of this bulletin should be discarded.

Introduction

Prius and Mirai vehicles are equipped with 2 types of batteries:

- Hybrid Vehicle (HV) battery
- 12-volt auxiliary battery

If Prius or Mirai vehicles are put into storage, the state of charge (SOC) of its HV battery and auxiliary battery will gradually decrease. To prevent the auxiliary battery from becoming discharged during storage, proper maintenance is necessary.

Please perform the following maintenance service for the HV battery and 12-volt auxiliary battery.

NOTE

- Before disconnecting the auxiliary battery, confirm the shift lever is in the "P" position and apply the parking brake completely. The shift lever CANNOT be shifted from the "P" position with the 12-volt auxiliary battery disconnected.
- If the negative (-) terminal of the auxiliary battery is reconnected, even if the power button is in the "START" mode, the hybrid/fuel cell system may NOT start. In this case, push the "POWER" button and select the "START" mode again to start the hybrid/fuel cell system (the "READY" light is ON). If the hybrid/fuel cell system still does NOT start (the "READY" light is OFF), refer to the Repair Manual.

Maintenance for HV & Auxiliary Batteries

Warranty Information

OP CODE	DESCRIPTION	TIME	OFP	T1	T2
N/A	Not Applicable to Warranty	–	–	–	–

Maintenance Items

CONDITION*	MAINTENANCE OPERATION
Before Delivery	Fully charge 12-volt auxiliary battery (deliver the vehicle to the customer after it is fully charged 12.6 V or more).
To Store for 30 Days or More	Disconnect the negative (–) terminal of the 12-volt auxiliary battery in the luggage compartment to prevent the SOC of the auxiliary battery from decreasing during storage due to parasitic current.
Just After Unloading & Every 2 Months	Keep the Hybrid/Fuel Cell System ON for 30 minutes with the transmission in the “P” position (in order to charge the HV battery and the auxiliary battery).

* The condition also corresponds with the section titles within this SB.

Required Tools & Equipment

SPECIAL SERVICE TOOLS (SST)	PART NUMBER	QTY
GR8 Battery Diagnostic Station**	00002-MCGR8	1

** Essential SST.

NOTE

- The GR8 Battery Diagnostic Station (P/N 00002-MCGR8) supersedes the Automatic Trickle Charger (P/N 00002-YA122-01) and Fast Battery Chargers (Associated P/N ASE6003 and Christie P/N CAPPDQ). P/N 00002-YA122-01, ASE6003, and CAPPDQ are now obsolete.
- Additional SSTs may be ordered by calling 1-800-933-8335.

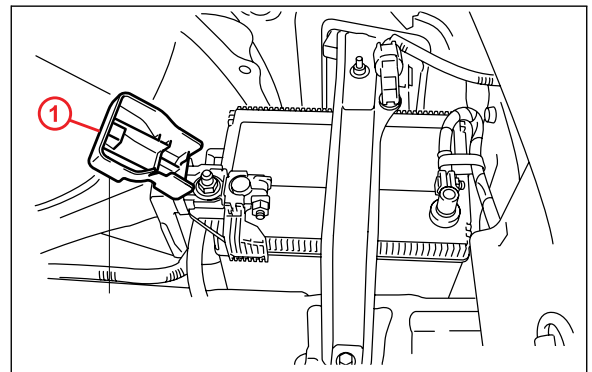
Maintenance for HV & Auxiliary Batteries

Before Delivery

Fully charge the 12-volt auxiliary battery:

1. Before charging the auxiliary battery, turn OFF all lights, accessories, and the hybrid/fuel cell system.
2. Open the back door and remove the battery cover.
3. Remove the positive (+) terminal cover.

Figure 1.



1	Positive Terminal Cover
---	-------------------------

4. Check the battery SOC.
 - If the battery voltage is LESS THAN 12.6 V, then continue to step 5.
 - If the battery voltage is 12.6 V or MORE, replace the positive (+) terminal cover, install battery cover and close the back door.

NOTE

- If measuring the voltage with the negative (–) terminal connected, turn OFF the power switch and turn ON the headlights for 20 to 30 seconds. This will remove the surface charge from the battery.
- If the hybrid/fuel cell system has been running before measuring the voltage, wait 20 minutes or more after turning off the hybrid/fuel cell system. This removes the surface charge.

Maintenance for HV & Auxiliary Batteries

Before Delivery

Fully charge the 12-volt auxiliary battery: (Continued)

5. Test/charge the 12-volt auxiliary battery using the GR8 Battery Diagnostic Station.

NOTE

Be sure to use the latest GR8 Battery Diagnostic Station software, which can be found on TIS.

- A. Connect the red charger clamp to the positive (+) battery terminal and the black charger clamp to the negative (-) battery terminal.
- B. Plug the charger into a grounded 110-volt nominal outlet and flip the power switch to the "ON" position.
- C. Once the charger is properly turned ON, perform a diagnostic charge.

The GR8 Battery Diagnostic Station will indicate result when complete.

If the battery tests bad ("Replace Battery"), then replace the auxiliary battery.

NOTE

If the auxiliary battery was stored at 32°F (0°C) or below, charge the auxiliary battery in a room above 32°F (0°C).

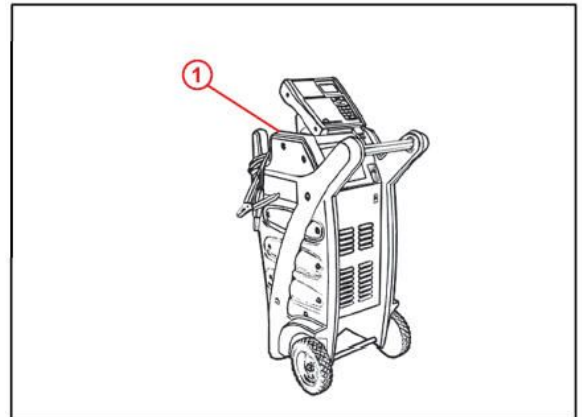
CAUTION

- Charge in a well-ventilated area.
- Do NOT allow sparks or fire near the auxiliary battery.

If the GR8 Battery Diagnostic Station is NOT available, you may charge the 12-volt battery by cycling the vehicle on to "READY."

- Run time will vary depending on the state of charge.

Figure 2.



1	GR8 Battery Diagnostic Station
----------	---------------------------------------

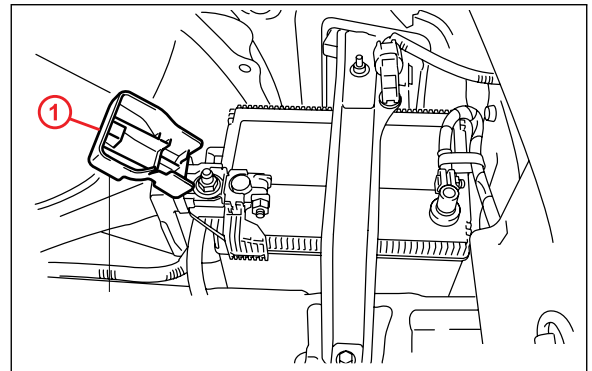
Maintenance for HV & Auxiliary Batteries

Before Delivery

Fully charge the 12-volt auxiliary battery: (Continued)

- If this method is used, you must confirm that the battery is charged to 12.8 volts using a DVOM.
6. After charging the auxiliary battery, install the positive (+) terminal cover.

Figure 3.



1	Positive Terminal Cover
----------	--------------------------------

7. Install the battery cover and close the back door.

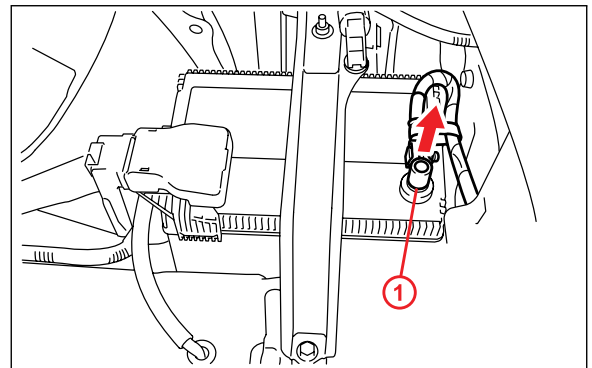
To Store for 30 Days or More

Disconnect the negative (-) terminal:

1. Turn OFF all lights, accessories, and the hybrid/fuel cell system.
2. Open back door and remove the battery cover
3. Disconnect the negative (-) terminal.

NOTE
 After the ignition is turned off, the audio receiver records various types of memory and settings. Please wait at least 90 seconds before disconnecting the cable from the negative (-) auxiliary battery terminal after turning the ignition off.

Figure 4.



1	Negative Terminal
----------	--------------------------

Maintenance for HV & Auxiliary Batteries

To Store for 30 Days or More

Disconnect the negative (-) terminal: (Continued)

4. Install the battery cover and close the back door.

NOTE

When it is necessary to move the vehicle, reconnect the negative (-) terminal.

When removing the vehicle from storage, connect the negative (-) terminal:

1. Open the back door and remove the battery cover.
2. Connect the negative (-) terminal.

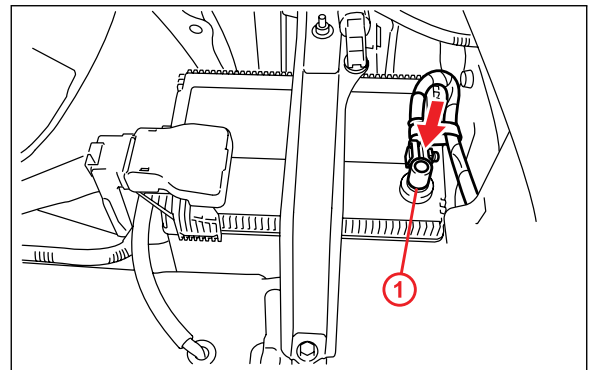
Torque: 6.0 N*m (61 kgf*cm, 4.4 ft*lbf)

NOTE

Certain systems need to be initialized after disconnecting and reconnecting the cable to the negative (-) auxiliary battery terminal.

Before starting the hybrid/fuel cell system, ensure that the ground point is installed securely to the body.

Figure 5.



1	Negative Terminal
----------	--------------------------

3. Install the battery cover and close the back door.

NOTE

After recharging the auxiliary battery, the hybrid/fuel cell system may NOT start. Follow the procedure below to initialize the system.

- Put the shift lever in the “P” position.
- Open and close any of the doors.
- Restart the hybrid/fuel cell system.

Maintenance for HV & Auxiliary Batteries

Every Two Months

Cycle vehicle to “READY” ON:

NOTE

- When the remaining capacity of the HV battery is low, if the vehicle is equipped with a gasoline engine, it automatically starts and the HV battery is charged by the generator. On hydrogen fuel cell vehicles, the HV battery is charged by the fuel cell system. The 12-volt auxiliary battery is also charged by the HV battery regardless of the gasoline engine / hydrogen fuel cell stack operation
- Be sure to reconnect the negative (-) terminal of the auxiliary battery BEFORE performing this procedure.

1. If equipped with a gasoline engine, park the vehicle in open air or connect the exhaust extraction hose to the exhaust pipe.
2. Apply the parking brake.
3. With the brake pedal depressed, push the “POWER” button and select the “START” mode and check that the “READY” light in the meter illuminates when the hybrid/fuel cell system starts (the “READY” light is ON).

Figure 6.



4. Turn OFF all lights and accessories.
5. Check that the shift lever is in the “P” position.
6. Keep the “READY” light on and charge the HV battery for 30 minutes.

NOTE

- If the amount of charging energy is small, the display may NOT indicate the energy flow.
- Ensure there is a sufficient amount of fuel for the vehicle to run for 30 minutes.