

TECHNICAL BULLETIN  
LTB00696NAS1  
23 SEP 2014



© Jaguar Land Rover North America, LLC

NOTE: The information in Technical Bulletins is intended for use by trained, professional Technicians with the knowledge, tools, and equipment required to do the job properly and safely. It informs these Technicians of conditions that may occur on some vehicles, or provides information that could assist in proper vehicle service. The procedures should not be performed by 'do-it-yourselfers'. If you are not a Retailer, do not assume that a condition described affects your vehicle. Contact an authorized Land Rover service facility to determine whether this bulletin applies to a specific vehicle.

**SECTION: 501-12**

Sunglasses Holder Will Not Open/Close

**AFFECTED VEHICLE RANGE:**

**Range Rover Evoque (LV)**

**Model Year:** 2014-2015

**VIN:** EH795896-FH986490

**MARKETS:**

NAS

**CONDITION SUMMARY:**

**Situation:** The front overhead console sunglasses holder may not open/close.

**Cause:** This may be caused by hinge pin distortion, allowing the cam mechanism to be displaced and not allowing the holder to open or close.

**Action:** Should a customer express this concern, follow the Service Instruction outlined below.

**PARTS:**



**NOTE:** Krytox® GPL 205 to be sourced from the Squeaks & Rattle kit; refer to Technical Bulletin LTB00389NAS and Service Bulletin STE12-02 for more information and how to replenish the items in the Squeaks & Rattles Kit when necessary.

LR068338	Holder - Sunglasses - Cirrus	Quantity: 1
LR068339	Holder - Sunglasses - Ivory	Quantity: 1
LR068340	Holder - Sunglasses - Ebony	Quantity: 1
-	Krytox® GPL 205	Quantity: Locally sourced

**TOOLS:**

Refer to Workshop Manual for any required special tools.

**WARRANTY:**



**NOTE:** Repair procedures are under constant review, and therefore times are subject to change; those quoted here must be taken as guidance only. Always refer to TOPIx to obtain the latest repair time.



**NOTE:** DDW requires the use of causal part numbers. Labor only claims must show the causal part number with a quantity of zero.

DESCRIPTION	SRO	TIME (HOURS)	CONDITION CODE	CAUSAL PART
Holder - Sunglasses - Renew	76.25.18	0.2	07	LR063137 / 8 / 9

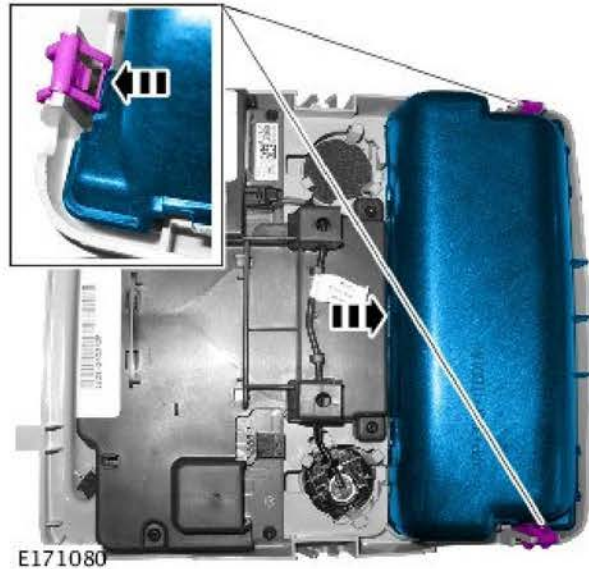



**NOTE:** Normal Warranty policies and procedures apply.

**SERVICE INSTRUCTION:**

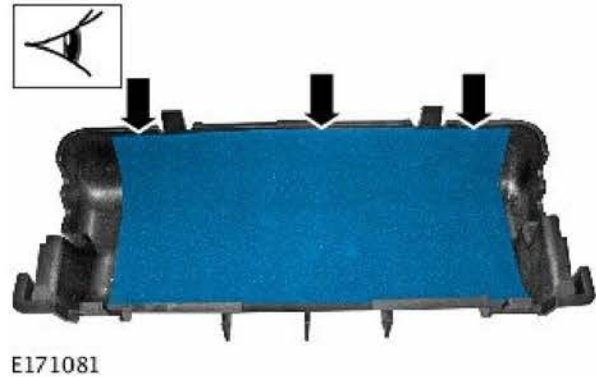
1. Remove the front overhead console (see TOPIx Workshop Manual, section 501-12).
2. Hold the rear cover and push the sunglasses holder cover in the direction shown.

- Lift up to disengage the two rear plastic clips.
- Push the outboard clip tower in direction shown, allowing the sunglasses holder cover to be lifted upwards away from the metal clip.
- Repeat for the other side.
- Remove the sunglasses holder cover from the front overhead console.



3.  **NOTE: Make sure the foam edge is aligned with rear edge of the sunglasses holder cover.**

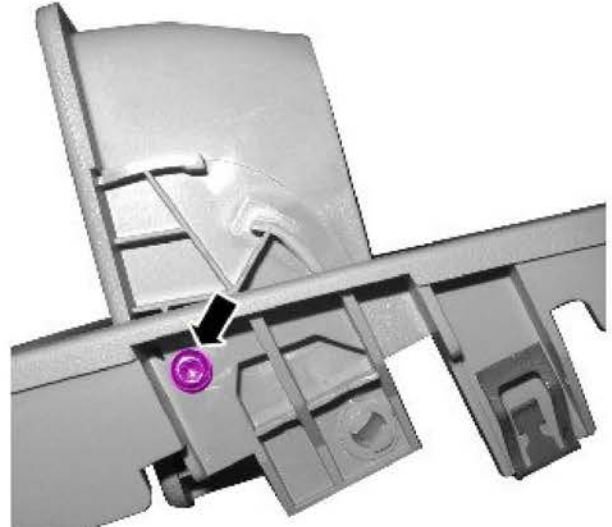
Install the foam pad to the sunglasses holder cover.



4. Install the second foam pad; to be fitted to the new sunglasses holder with the foam covering the majority of the holder.



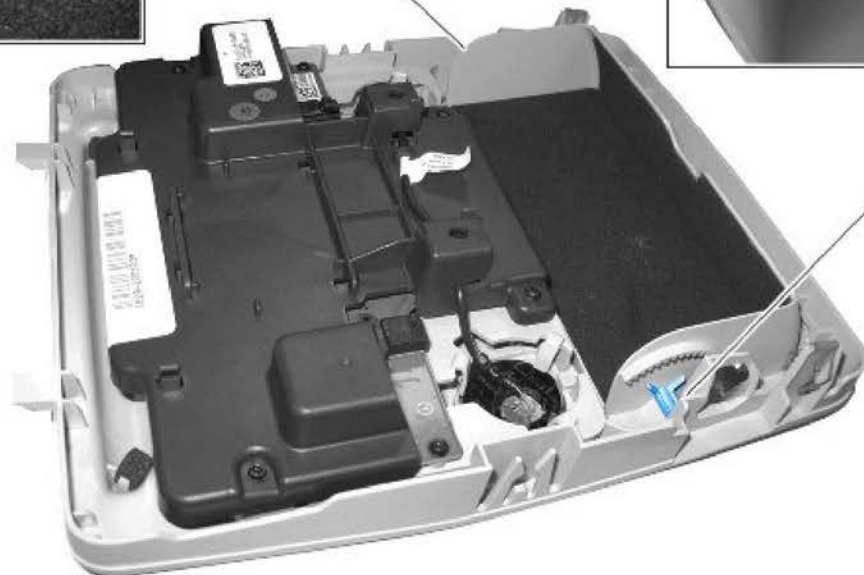
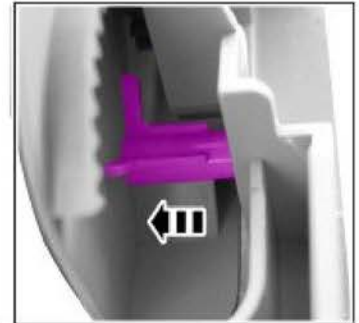
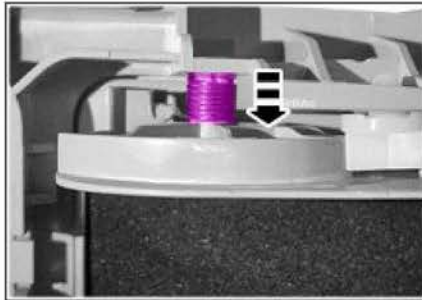
5. Remove and discard the screw on the side of the sunglasses holder.



E171083

6. Remove and discard the sunglasses holder:

1. Remove the pin near to the damper;
2. Remove the pin on the other side of sunglasses holder door;
3. Discard the sunglasses holder.

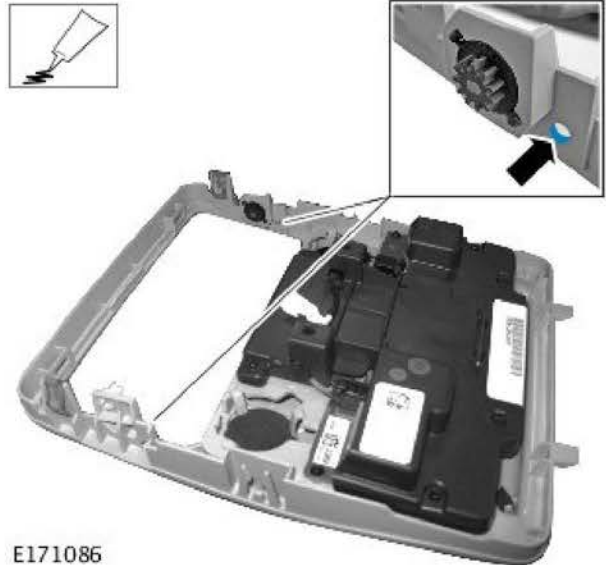


E171084



7.  **NOTE: Krytox® GPL 205 (from the Squeaks & Rattles Kit; refer to Technical Bulletin LTB00389NAS).**

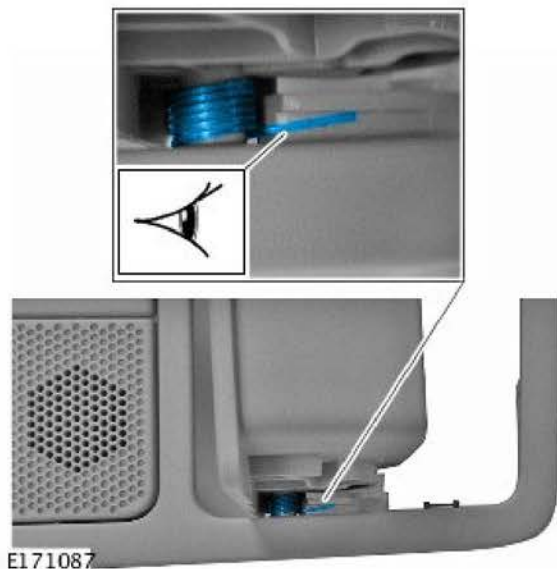
Using Krytox® GPL 205 or equivalent, apply into the hinge pin holes.



E171086

8.  **NOTE: Make sure the spring is positioned correctly.**

Install the new sunglasses holder.



E171087

9. Open/close the sunglasses holder three times to check correct functionality.
10. Install the sunglasses holder cover.
11. Install the front overhead console (see TOPIx Workshop Manual, section 501-12).