

TECHNICAL BULLETIN  
LTB00637NAS1  
04 FEB 2014



© Jaguar Land Rover North America, LLC

NOTE: The information in Technical Bulletins is intended for use by trained, professional Technicians with the knowledge, tools, and equipment required to do the job properly and safely. It informs these Technicians of conditions that may occur on some vehicles, or provides information that could assist in proper vehicle service. The procedures should not be performed by 'do-it-yourselfers'. If you are not a Retailer, do not assume that a condition described affects your vehicle. Contact an authorized Land Rover service facility to determine whether this bulletin applies to a specific vehicle.

**SECTION: 501-19**

Front Bumper Cover Aero Dynamic Lips - Lower-Level Service Repair

**AFFECTED VEHICLE RANGE:**

**Range Rover Sport (LW)**

**Model Year:** 2014 Onwards

**VIN:** EA000002 Onwards

**MARKETS:**

NAS

**CONDITION SUMMARY:**

**Situation:** A lower-level service repair is now available in the event the front bumper cover Aero Dynamic Lips become damaged. The front bumper cover Aero Dynamic Lips are molded, non-detachable components of the front bumper cover, and previously would have required complete front bumper cover replacement to rectify if missing or damaged. In the event these Aero Dynamic Lips become damaged, it is no longer necessary to replace the complete front bumper cover.

**Cause:** The front bumper cover Aero Dynamic Lips may become damaged during extreme off-road usage.

**Action:** Should a customer express this concern, follow the Service Instruction outlined below.

**PARTS:**

LR057831      Air deflector kit      Quantity: 1

**TOOLS:**

No Tools Required

**WARRANTY:**

 **NOTE: Repair procedures are under constant review, and therefore times are subject to change; those quoted here must be taken as guidance only. Always refer to TOPIx to obtain the latest repair time.**

 **NOTE: DDW requires the use of causal part numbers. Labor only claims must show the causal part number with a quantity of zero.**

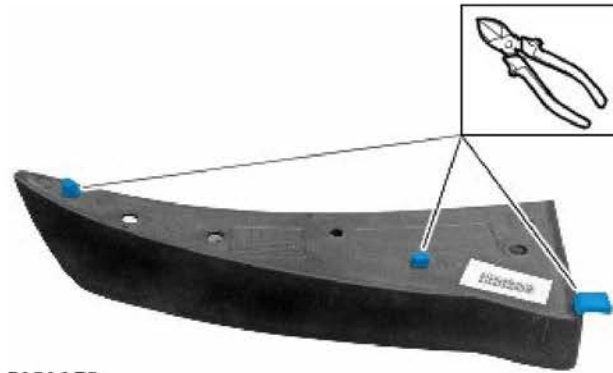
DESCRIPTION	SRO	TIME (HOURS)	CONDITION CODE	CAUSAL PART
Air deflector kit - Install	<b>76.22.89.36</b>	0.40	42	LR45028

 **NOTE: Normal Warranty policies and procedures apply.**

**SERVICE INSTRUCTION:**

 **NOTE: Left-side shown; right-side similar.**

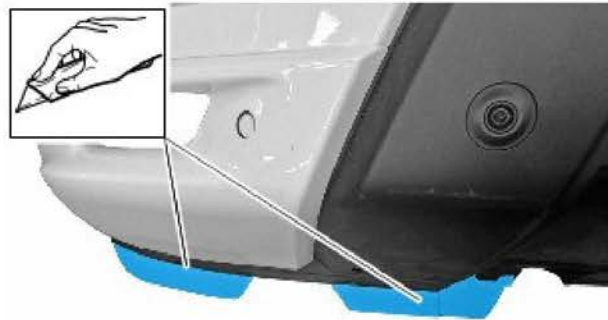
- Using a suitable tool, remove the moldings from the Aero Dynamic Lips.



E161176

-  **NOTE: Make sure the rear edge of moulding is retained when removing the molded Aero Dynamic Lip.**

Using a suitable tool, remove the original molded Aero Dynamic Lip from the front bumper cover.



E161177

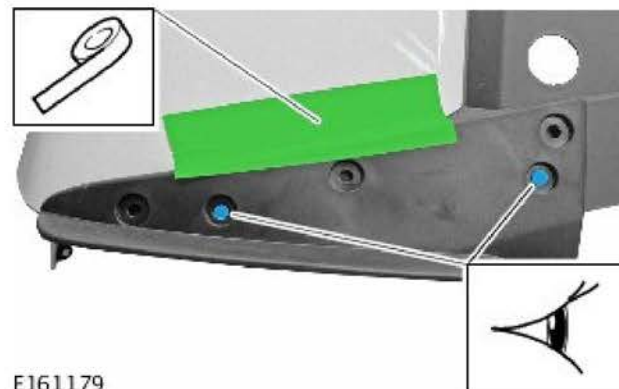
- Make sure the edge of the front bumper cover is trimmed to a neat finish.



E161178

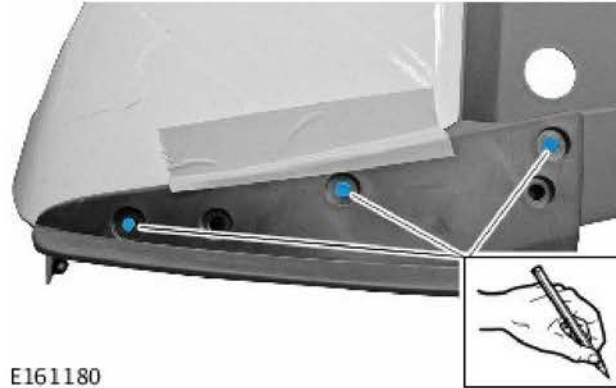
- Align the Aero Dynamic Lip to the front bumper cover using the fixing holes as a guide.

- Secure the Aero Dynamic Lip with suitable tape.



E161179

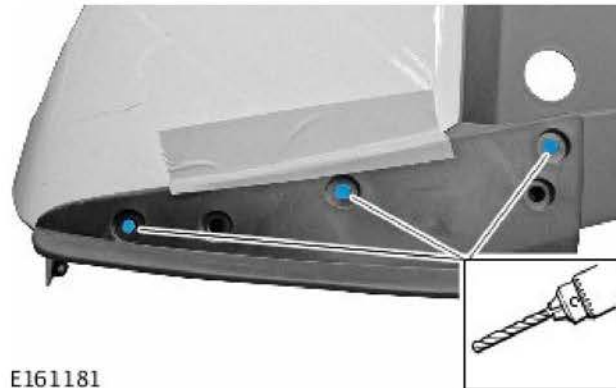
5. Using a suitable tool, mark the fixing holes.



E161180

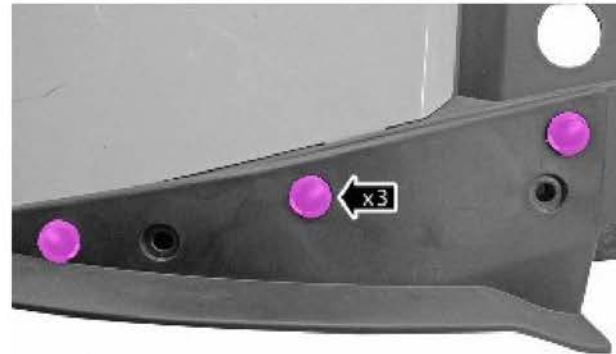
6. Using a suitable drill, drill the holes for the Aero Dynamic Lip fixings in the front bumper cover.

- Stage 1: Drill to 1.5mm.
- Stage 2: Drill to 9mm.



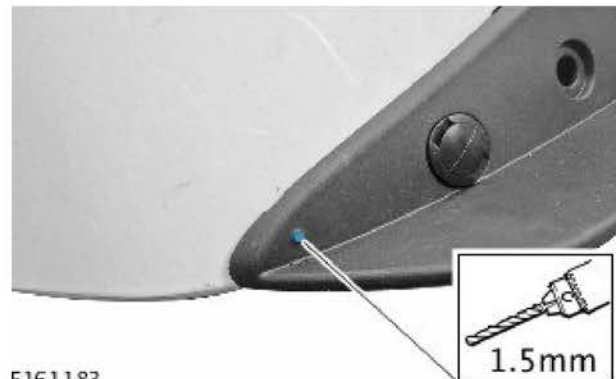
E161181

7. Install the Aero Dynamic Lip to the front bumper cover and secure using the clips from the Air Deflector kit.



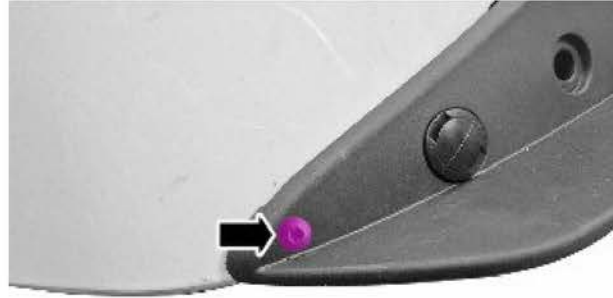
E161182

8. Using a suitable 1.5mm drill, drill a pilot hole in the end of the Aero Dynamic Lip and the front bumper cover.



E161183

9. Secure the end of the Aero Dynamic Lip to the front bumper with a self tapping screw from the Air Deflector kit.



E161184

10. Repeat steps 1-9 for the right-side Aero Dynamic Lip.