

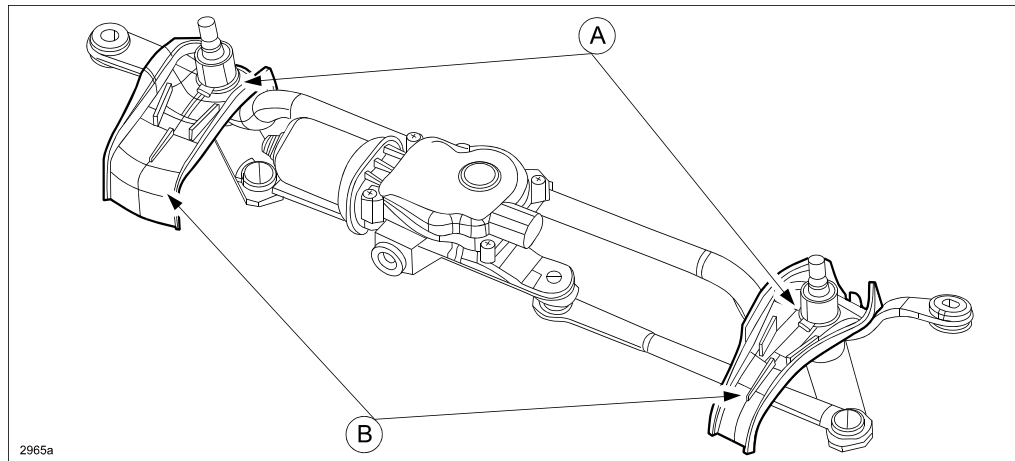
<b>Subject:</b>  SQUEAK NOISE FROM WINDSHIELD WIPER LINK	<b>Bulletin No:</b> 09-050/14
	<b>Last Issued:</b> 12/12/2014

## APPLICABLE MODEL(S)/VINS

2014-15 Mazda3 vehicles with VINs lower than JM1BM\*\*\*\*\*227327 (produced before August 1, 2014)

## DESCRIPTION

Some vehicles may exhibit a squeaking noise from the windshield wiper link when operating the wipers. This noise may be caused by rust on the sliding parts from water entry through the pivot (A). To prevent water entry, the pivot cover (B) has been enlarged and an O-ring has been added to the pivot.



Customers having this concern should have their vehicle repaired using the following repair procedure.

## REPAIR PROCEDURE

1. Verify customer concern.
2. If noise occurs when operating the wipers, replace the windshield wiper link assembly with a modified one. Refer to the instructions on MS3 online or the Workshop Manual (section 09-10 WINDSHIELD WIPER MOTOR AND LINK REMOVAL/INSTALLATION).
3. Verify repair.

<b>Bulletin No:</b> 09-050/14 © 2014 Mazda Motor of America, Inc.	<b>Last Issued:</b> 12/12/2014
--	--------------------------------

## PART(S) INFORMATION

Part Number	Description	Qty.	Notes
BHS2-67-360A	Windshield Wiper Link Assembly	1	For VINs starting with JM1

## WARRANTY INFORMATION

### NOTE:

- This warranty information applies only to verified customer complaints on vehicles eligible for warranty repair.
- This repair will be covered under Mazda's New Vehicle Limited Warranty.
- Additional diagnostic time cannot be claimed for this repair.

Warranty Type	A
Symptom Code	82
Damage Code	9Y
Part Number Main Cause	****-67-360A
Quantity	1
Operation Number / Labor Hours:	XXK9WXRX / 0.5 Hrs