

<b>Subject:</b>  HARD TO SHIFT INTO 3RD, 4TH, 5TH AND/OR 6TH GEAR	<b>Bulletin No:</b> 05-008/14
	<b>Last Issued:</b> 11/26/2014

## BULLETIN NOTE

- This bulletin supersedes the previous bulletins 05-008/14 issued on 07/14/14. The APPLICABLE MODELS, DESCRIPTION, REPAIR PROCEDURE, and WARRANTY INFORMATION have been revised.
- Changes are noted below beside the change bar in Red.

## APPLICABLE MODEL(S)/VINS

2012-2013 Mazda3 (SKYACTIV 6 M/T)

2014-15 Mazda3 (6 M/T) with VINs lower than JM1BM\*\*\*\*\*228314 (produced before August 8, 2014)

2013-2015 CX-5 (6 M/T) with VINs lower than JM3KE\*\*\*\*\*517027 (produced before August 8, 2014)

2014-2015 Mazda6 (6 M/T) with VINs lower than JM1GJ\*\*\*\*\*203425 (produced before August 8, 2014)

## DESCRIPTION

Some vehicles may exhibit one of the following concerns:

- Hard to shift into 3rd, 4th, 5th, and/or 6th gear.
- Sometimes the shifter may jump out of 3rd gear over a road bump when accelerating after deceleration at 25-40 mph (40-65 km/h)

This is caused by a failure of the related clutch hub(s). To correct the problem of hard shifting, the shape of the 3-4 and 5-6 clutch hub has been changed. A surface treatment has now been added to the 3-4 clutch hub to prevent 3rd gear from jumping out.

Customers having this concern should have their vehicle repaired using the following repair procedure.

## REPAIR PROCEDURE

1. Verify customer concern.
2. Remove the transaxle. Refer to MS3 online instructions or the Workshop Manual section 05-15.
3. Replace the 3-4 and 5-6 clutch hub with a modified one and the 3rd gear with a new one (listed in the Parts Information). Refer to the C66M-R 6-speed SKYACTIV Manual Transaxle Workshop Manual.

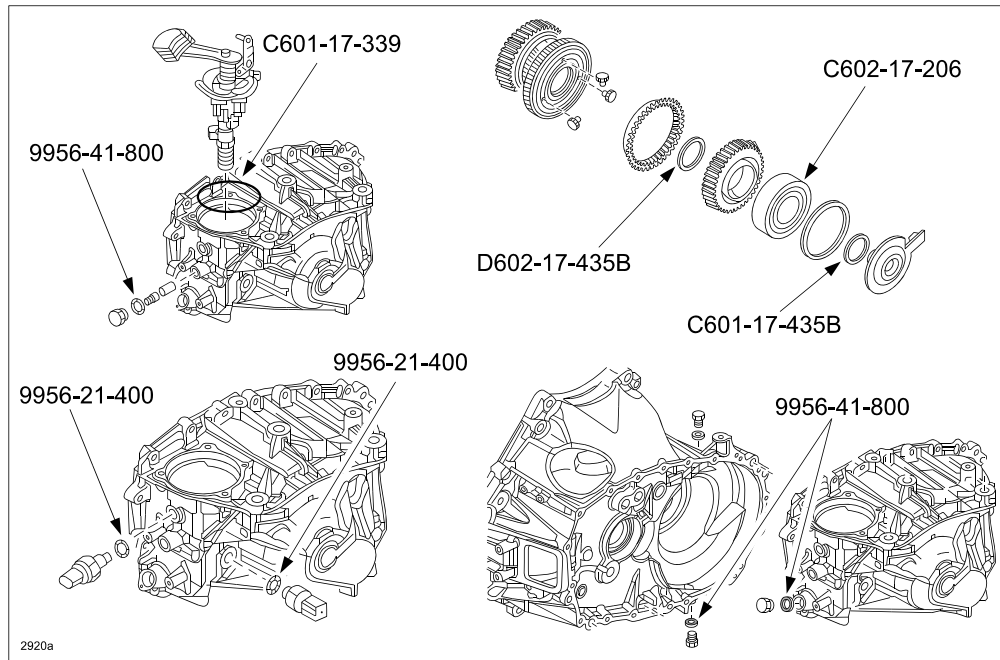
### NOTE:

- Bearing Puller part number 4907-10-520-L is used for this repair.
  - If 3rd gear is jumping out, replace the 3rd gear with a new one.
4. Install the transaxle.
  5. Verify repair.

**PART(S) INFORMATION**

Part Number	Description	Qty.	Notes
C602-17-240B	3-4 Clutch Hub Assembly	1	All
C602-17-620B	5-6 Clutch Hub Assembly	1	All
C601-17-230B	3rd Gear**	1	Except CX-5
C610-17-230A			CX-5
G054-25-421	Clip for drive shaft*	1	2012-15 Mazda3 (2.0L)
H010-25-421A			2014-15 Mazda3 (2.5L) 2014-15 Mazda6 2013-15 CX-5
D651-33-042A	Wheel Hub Nut*	2	All
T060-26-169A	Clip for Tie-rod End*	2	All
B455-32-099B	Bolt for Intermediate Shaft*	1	Except 2014-15 Mazda3
KD31-32-099			2014-15 Mazda3
D602-17-435B	Retaining Rig*	1	All
C601-17-435B	Retaining Rig*	1	All
C602-17-206	Ball Bearing*	1	All
C601-17-339	"O" Ring*	1	All
9956-41-800	Washer*	2	All
9956-21-600	Gasket*	1	All
9956-21-400	Washer*	2	All
0000-77-5W80-QT	Manual Transaxle Oil	3	Specification: 2.6 - 2.7 US qt

\* Replacement parts



\*\* Replace 3rd gear only if necessary (if 3rd gear jumps out).

**WARRANTY INFORMATION**

**NOTE:**

- This warranty information applies only to verified customer complaints on vehicles eligible for warranty repair.
- This repair will be covered under Mazda's Powertrain Limited Warranty.
- Additional diagnostic time cannot be claimed for this repair.

Warranty Type	A
Symptom Code	24
Damage Code	9M
Part Number Main Cause	C602-17-620B
Quantity	1
Operation Number/Labor Hours	XXKA1XRX / 5.6 Hrs (All Models)