

Subject: A/T SHIFT LEVER IS HARD TO MOVE	Bulletin No: 05-009/14
	Last Issued: 08/29/2014

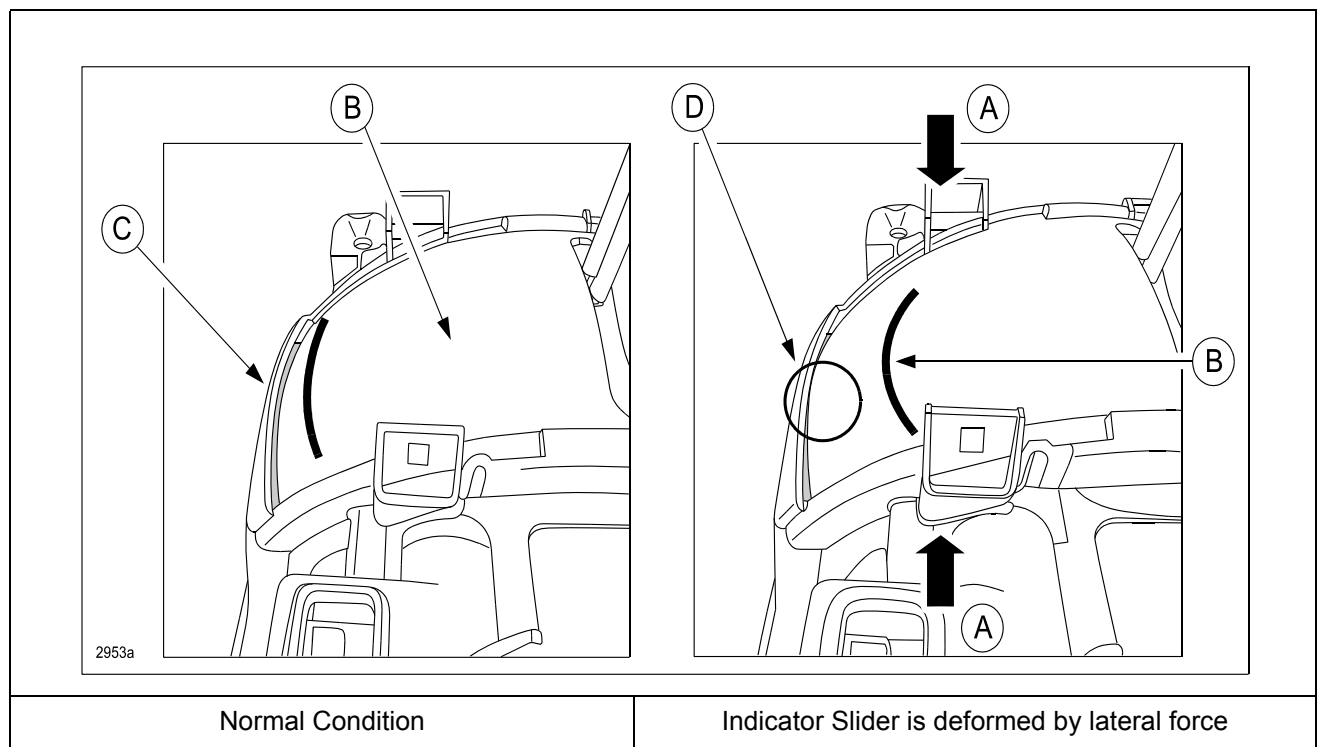
APPLICABLE MODEL(S)/VINS

2014 Mazda6 with VINs lower than JM1GJ*****162912 (produced before Dec. 3, 2013)

DESCRIPTION

Some customers may find it difficult or hard to move the A/T shift lever.

When the driver or front passenger's leg contacts the center console, lateral force (A) may deform the indicator slider (B), causing the slider edge to contact the arched part of the set plate (D). This may cause damage to the indicator slider (B) and/or hard A/T shift lever movement.



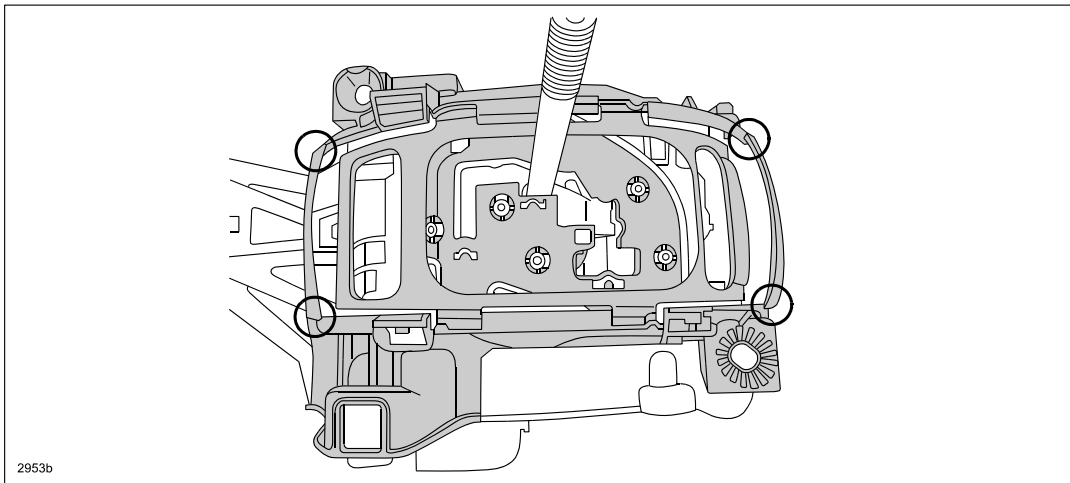
Customers having this concern should have their vehicle repaired using the following repair procedure.

CONSUMER NOTICE: The information and instructions in this bulletin are intended for use by skilled technicians. Mazda technicians utilize the proper tools/equipment and take training to correctly and safely maintain Mazda vehicles. These instructions should not be performed by "do-it-yourselfers." Customers should not assume this bulletin applies to their vehicle or that their vehicle will develop the described concern. To determine if the information applies, customers should contact their nearest authorized Mazda dealership. Mazda North American Operations reserves the right to alter the specifications and contents of this bulletin without obligation or advance notice. All rights reserved. No part of this bulletin may be reproduced in any form or by any means, electronic or mechanical---including photocopying and recording and the use of any kind of information storage and retrieval system ---without permission in writing.

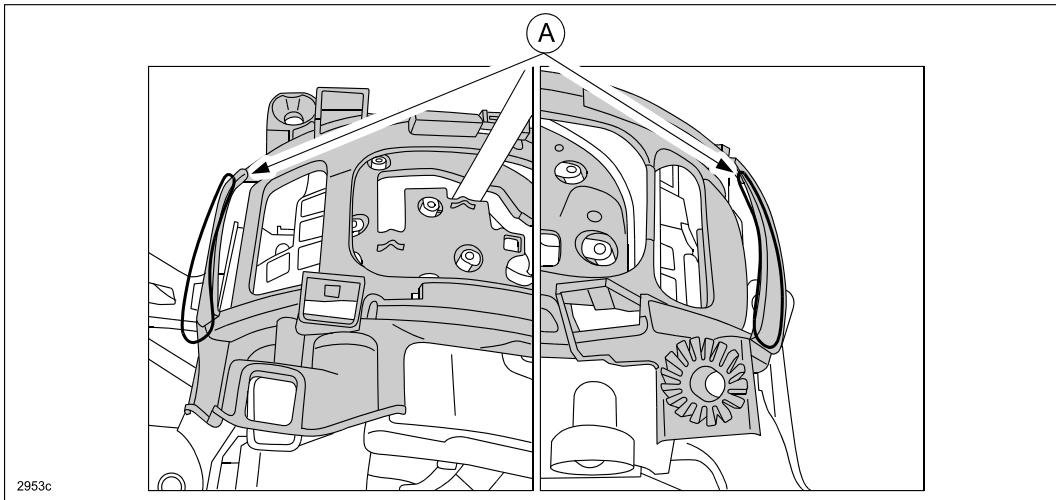
REPAIR PROCEDURE

1. Verify the customer concern.
2. Remove the front console from the vehicle according to the instructions on MS3 online or the Workshop Manual (section 09-17 FRONT CONSOLE REMOVAL/INSTALLATION).
3. Remove the old indicator slider and discard it.
4. With the set plate installed in the vehicle, cut off the front and rear arched parts.
 - a. Cut the four areas indicated by circles in the figure below.

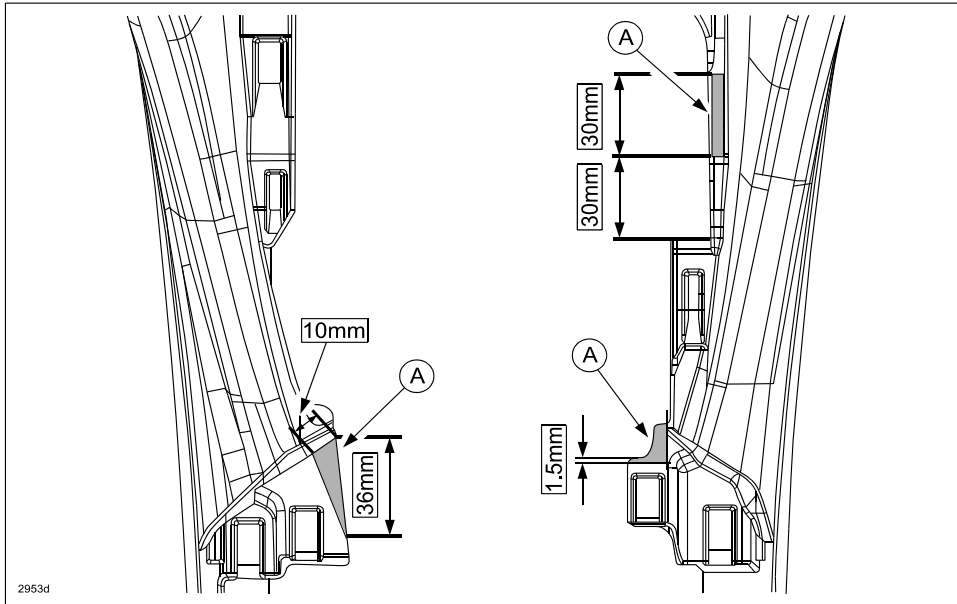
NOTE: The select lever unit is removed in the illustration below for viewing purpose only.



- b. Remove the front and rear arched parts (A) from the set plate.



5. Cut off three (3) pieces (A) from the front console using a suitable cutting tool. This provides additional clearance between the front console and shifter assembly.



6. Install a new indicator slider to the select lever unit.
7. Install the front console in the reverse order of removal.
8. Verify the repair.

PART(S) INFORMATION

Part Number	Description	Qty.
K011-64-358A	Slider, Indicator	1

WARRANTY INFORMATION

NOTE:

- This warranty information applies only to verified customer complaints on vehicles eligible for warranty repair.
- This repair will be covered under Mazda’s New Vehicle Limited Warranty term.
- Additional diagnostic time cannot be claimed for this repair.

Warranty Type	A
Symptom Code	25
Damage Code	9B
Part Number Main Cause	7777-SP-J57
Quantity	0
Operation Number / Labor Hours:	XXK8LXRX / 0.4 Hrs.