

<b>Subject:</b>  GROAN NOISE FROM FRONT WHEEL HUB	<b>Bulletin No:</b> 03-003/14
	<b>Last Issued:</b> 07/16/2014

## APPLICABLE MODEL(S)/VINS

2014-2015 Mazda6 vehicles with VINs lower than JM1 GJ \*\*\*\*\* 190589 (produced before June 01, 2014)  
2013-2014 CX-5

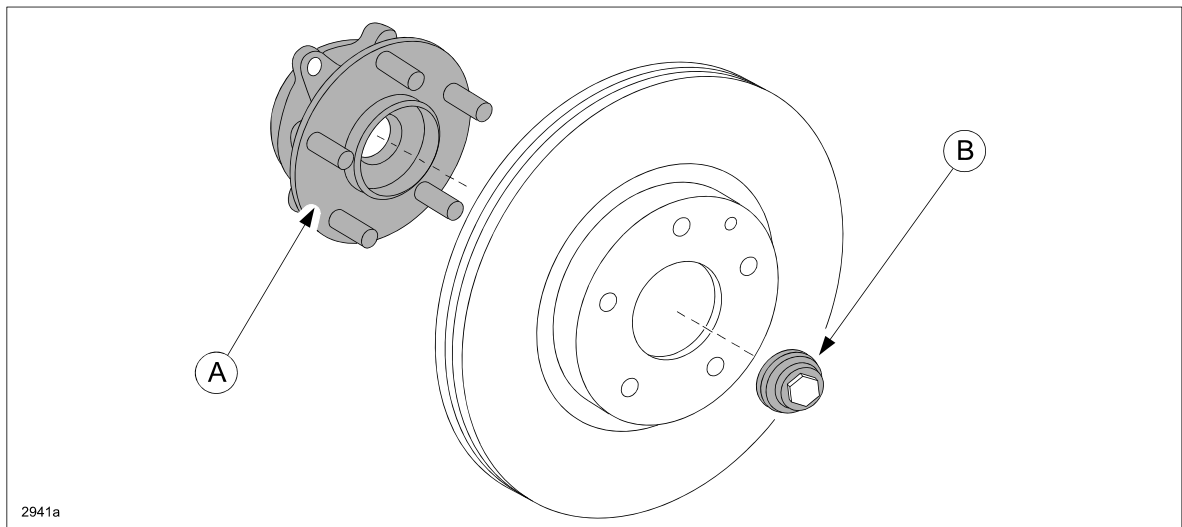
## DESCRIPTION

Some vehicles may exhibit a groan type noise from the front wheel hub bearing while driving at high speed or when cornering. This may be caused by front wheel hub bearing corrosion.

Customers having this concern should have their vehicle repaired using the following repair procedure.

## REPAIR PROCEDURE

1. Verify customer concern.
2. Replace the affected front wheel hub (A) and locknut (B). Refer to MS3 online or Workshop Manual (section 03-12) removal/installation instructions for the front wheel hub and the locknut only.
  - CX-5 - WHEEL HUB COMPONENT REMOVAL/INSTALLATION [AWD]
  - Mazda6 - WHEEL HUB, STEERING KNUCKLE REMOVAL/INSTALLATION



3. Verify repair.

<b>Bulletin No:</b> 03-003/14 © 2014 Mazda Motor of America, Inc.	<b>Last Issued:</b> 07/16/2014
--	--------------------------------

## PART(S) INFORMATION

Part Number	Description	Qty.	Notes
KD35-33-042	Locknut	1 or 2	Only replace the affected side. Replace both locknut and wheel hub as a set.
KD35-33-04XC	Wheel Hub	1 or 2	

## WARRANTY INFORMATION

### NOTE:

- This warranty information applies only to verified customer complaints on vehicles eligible for warranty repair.
- This repair will be covered under Mazda's Power Train Limited Warranty term.
- Additional diagnostic time cannot be claimed for this repair.
- Only replace the affected side.
- Claim wheel hub(s) as related part(s). Repairs without wheel hub replacement are not warrantable.

	One side	Both sides
Warranty Type	A	A
Symptom Code	82	82
Damage Code	9G	9G
Part Number Main Cause	KD35-33-042	KD35-33-042
Quantity	1	2
Operation Number / Labor Hours:	XXK7UARX / 0.7 Hrs.	XXK7UBRX / 1.2 Hrs.