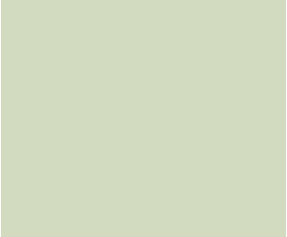
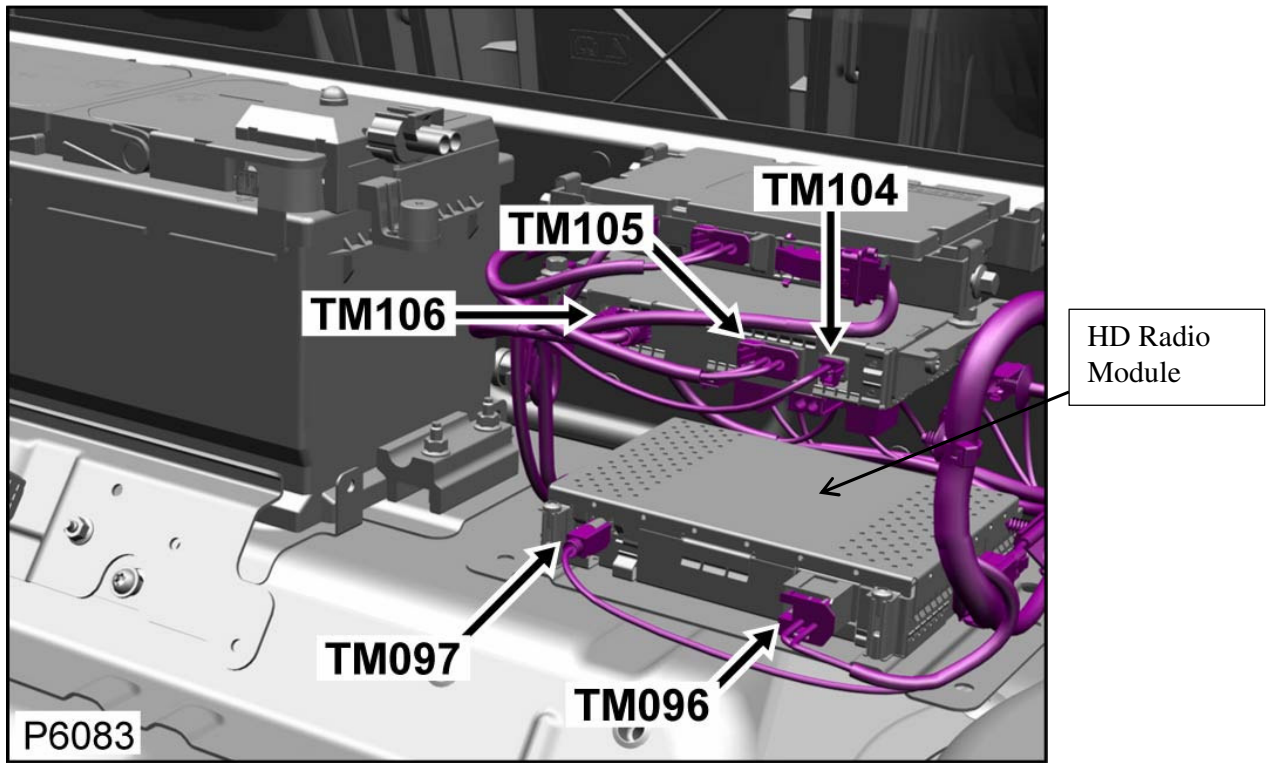


HD radio module graphics.pdf

Reference	SSM71794
Models	XK / X150 XF / X250
Title	AM Frequency Stuck In FM Preset
Category	Electrical
Last modified	19-Mar-2014 00:00:00
Symptom	207000 Entertainment Systems
Content	<p>Issue: FM1 preset ceases to operate. (Tuner is stuck in AM band while touch screen displays FM1)</p> <p>Cause: No error handling of frequency being stored in HD radio module.</p> <p>Action: Should a customer express concern, follow the Service Instruction outlined below.</p> <p>SERVICE INSTRUCTION</p> <p>Replace the HD Radio Module – Part no G2C 41028:- XK variant:-</p> <ol style="list-style-type: none"> 1. Open the trunk to gain access 2. Remove the Load space cover (Convertible only) (see WSM 414-01). 3. Remove Battery trim panel (see WSM 414-01). 4. Remove and replace HD Radio Module (see attached doc for location). 5. Reverse the removal processes to reinstall components. 6. Configure the new module following the procedure detailed below <p>XF variants:-</p> <ol style="list-style-type: none"> 1. Open the trunk to gain access 2. Remove the Load space trim panel LH (see WSM 515-05) 3. Remove the Sub Woofer Amplifier to allow access (See WSM 415-01A) 4. Remove and replace the HD Radio Module (see attached doc for location). 5. Reverse the removal processes to reinstall components. 6. Configure the new module following the procedure detailed below <p>Configure the new module:-</p> <ol style="list-style-type: none"> 1. CAUTION: This procedure requires SDD DVD137.04 and Calibration File 167 loaded or later. Connect the Jaguar approved battery support unit / power supply. 2. Connect SDD to the vehicle and begin a new diagnostic session, by reading the VIN for the current vehicle and initiating the data collect sequence. 3. Follow the SDD prompts. 4. Select the Diagnosis Session Type. 5. Select the Symptoms tab and enter any of the following Symptom(s). <ul style="list-style-type: none"> • Electrical - Information and entertainment system - Entertainment system - Audio - Radio function - Lock up

- 
7. Configure existing module - Digital audio control module C
 8. When all tasks are complete, exit the current session by selecting the Session tab and then selecting the "Close Session option".
 9. Disconnect SDD and the battery support unit/power supply.

XK – HD Radio Module Location



XF – HD Radio Module Location

