

NEWMAR CORPORATION WARRANTY DEPARTMENT

TECHNICAL SERVICE BULLETIN

DATE ISSUED	MODEL YEAR(S) AFFECTED	TSB #
10/01/2014	2014	409

BRAND

Bay Star Sport	<input type="checkbox"/>	Ventana	<input checked="" type="checkbox"/>	Essex	<input checked="" type="checkbox"/>
Bay Star	<input type="checkbox"/>	Dutch Star	<input checked="" type="checkbox"/>	King Aire	<input type="checkbox"/>
Canyon Star	<input type="checkbox"/>	Mountain Aire	<input checked="" type="checkbox"/>	Other	<input type="checkbox"/>
Ventana LE	<input type="checkbox"/>	London Aire	<input type="checkbox"/>		

TITLE

2014 Freightliner front Battery Stud & Cables

DESCRIPTION

The lower positioned 150 amp chassis fuse in the freightliner chassis distribution panel is tripping on some Essex, Mountain Aire, Dutch Star, and Ventana units when starting the generator. Found issue to be that the dash AC and the generator were powered on same post.

RECOMMENDED ACTION

This TSB is to document the correct battery stud connections on the Freightliner Chassis in the left front compartment on the pass-through battery and ground studs. The correct orientation of the battery cables on the pass-through studs is crucial to prevent either circuit from overloading the fuses.

The battery cable that comes from the rear 150A fuse labeled "F3 AUX PWR" will be identified in the front by a wrap of green electrical tape around the wire loom. This will be connected to the top center pass-through stud along with the generator battery cable. On the inside of the compartment, the Freightliner cable that is labeled "B+ AUX STUD" should be hooked to this upper center pass-through stud.

The battery cable that is supplied by Freightliner and comes from the rear fuse labeled "F2 DASH PWR" is not going to have any identification tape on the front end and this is to be hooked to the inboard lower positive pass-through battery stud in the left front compartment. On the outside of the compartment with the Freightliner supplied cable, the positive cable that feeds the jack systems will be hooked up as well. The Freightliner supplied cable labeled "B+ STD STUD" is hooked up on the inside of the compartment to this lower inboard positive pass-through battery stud.

The lower outboard ground pass-through stud has several Freightliner ground wires hooked to it on the outside and inside of the compartment. There are also a couple of Newmar installed grounds on the outside of the lower outboard ground pass-through stud. All of this can be seen on the supplied drawing.

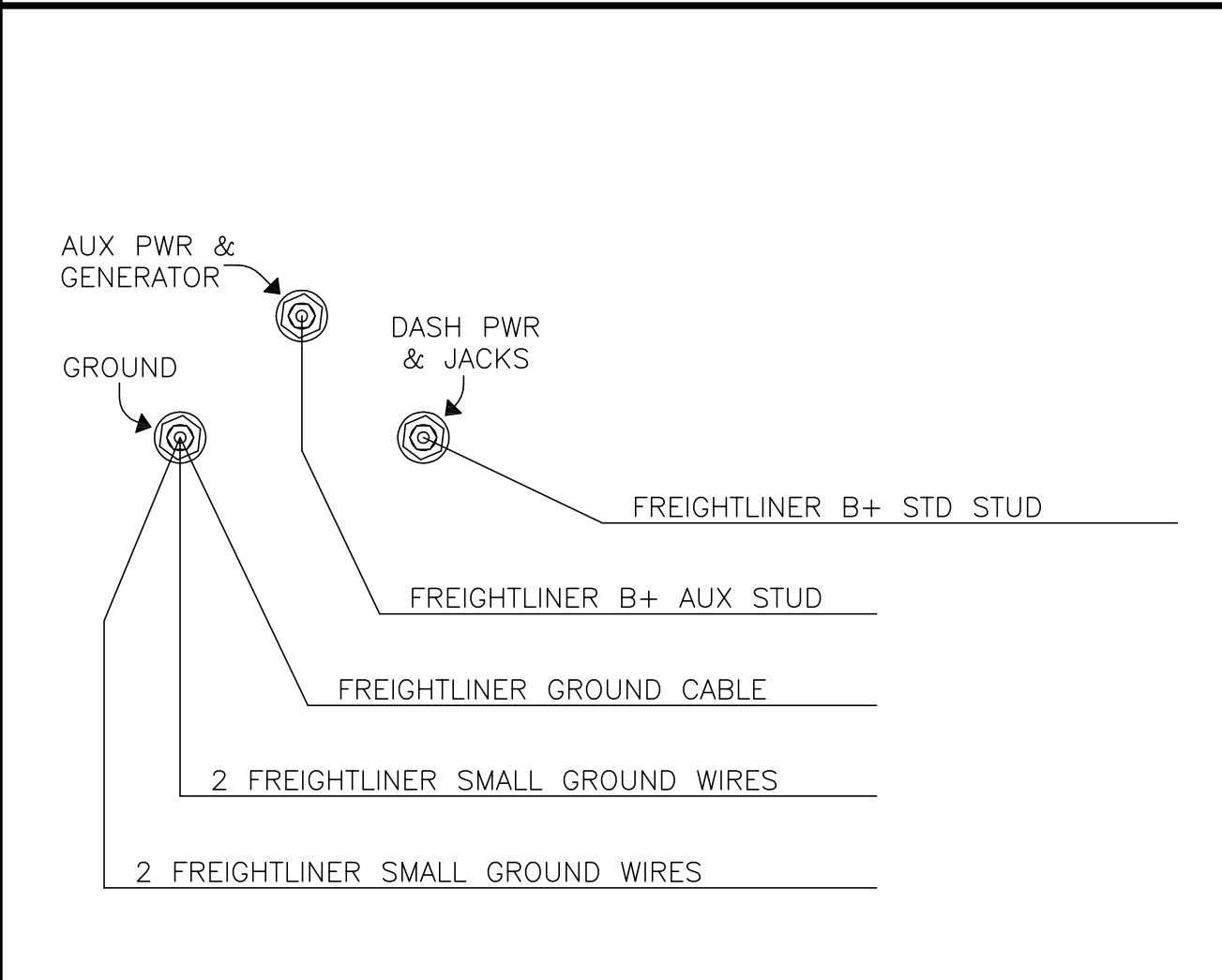
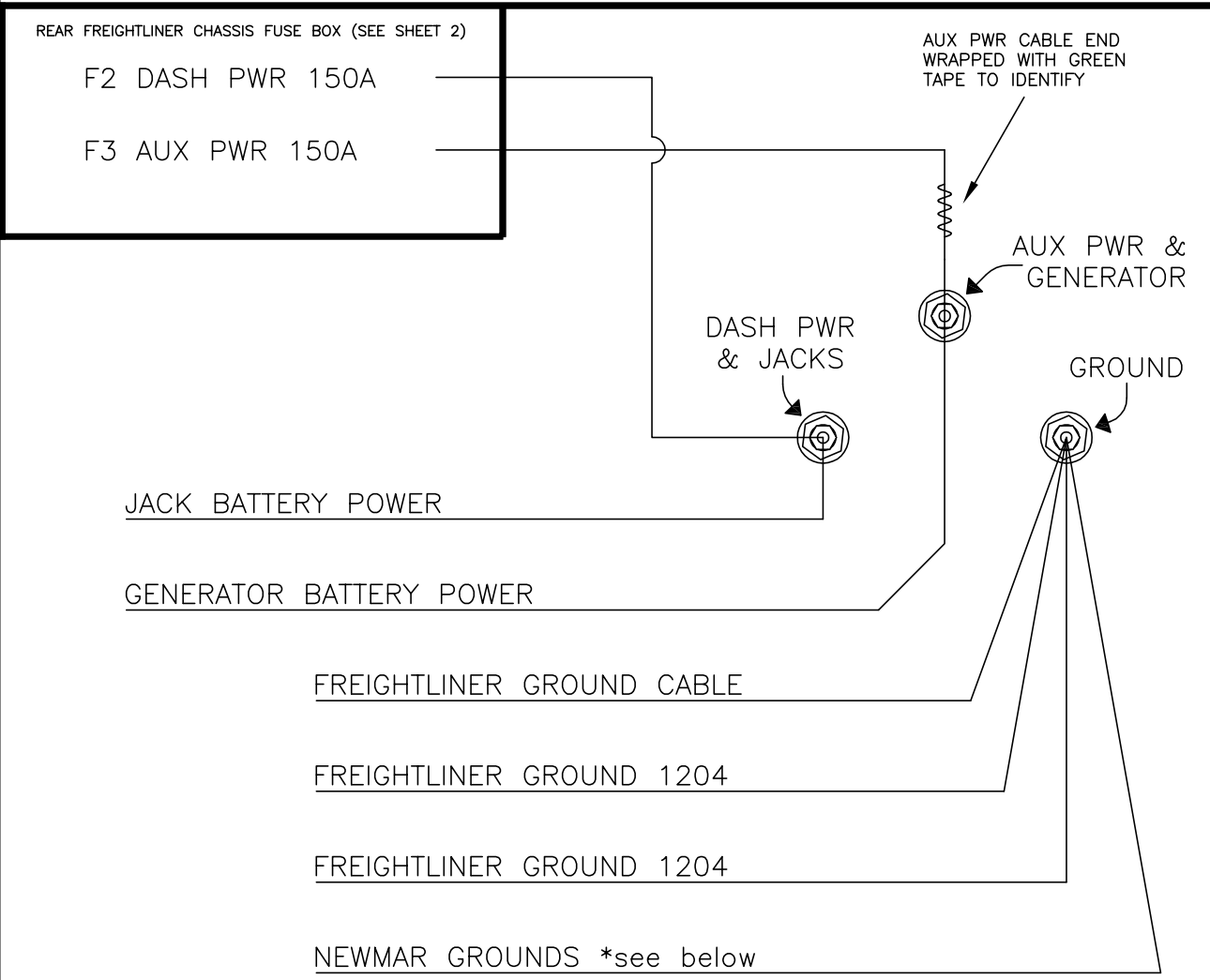
FLAT RATE CODE: TSB409

INSPECTION LABOR RATE: .3

REPAIR LABOR RATE: .3

OUTSIDE LEFT FRONT COMPARTMENT

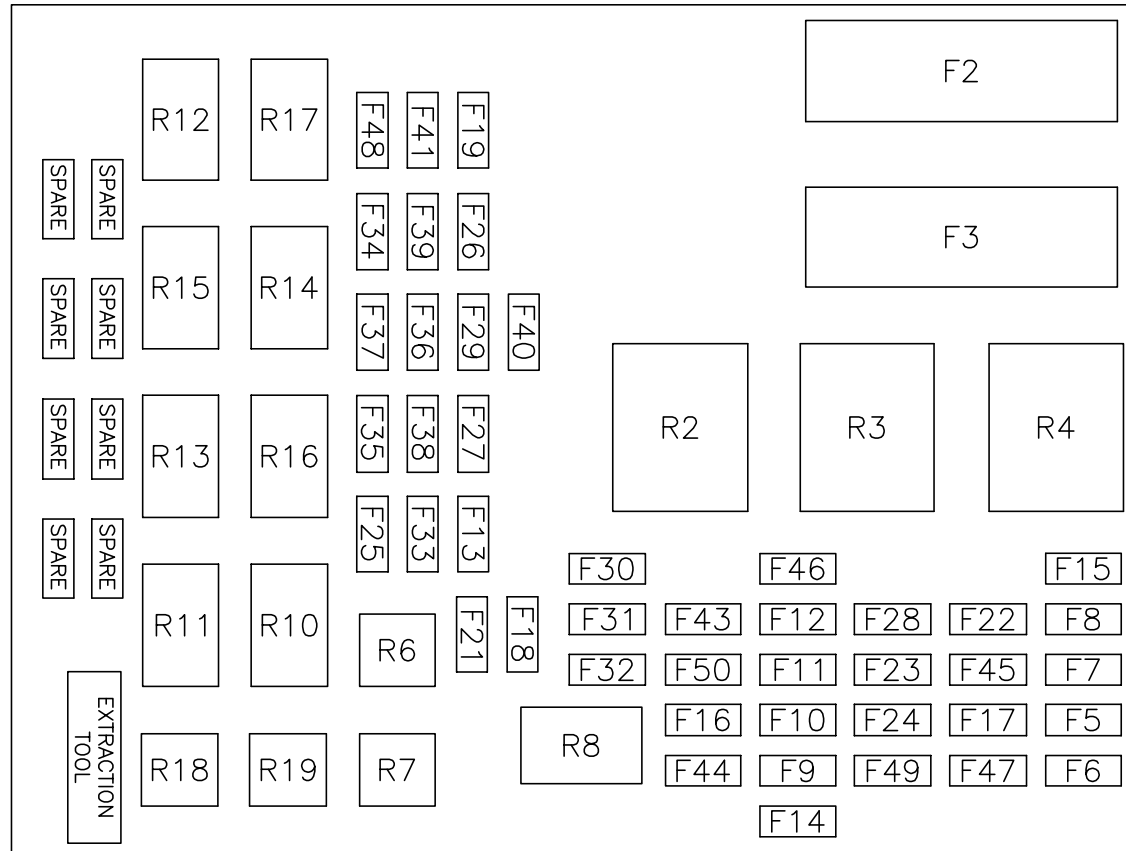
INSIDE LEFT FRONT COMPARTMENT



* 2- 12 gauge white ground wires. One runs to the front of the firewall and supplies the ground for the wiper motor. The second wire runs up the drivers side A-pillar and supplies ground for the front cap overhead lights and the monitor panel.

NEWMAR CORP P.O. Box 30, Nappanee, IN. 46550 Title block--1-2fulTB	Model: VLDP, VTDP, DSDP, MADP, EXDP, LADP	Sheet 1 of 2	Drawn by: R. T.	Checked by: M. W.	Revision:	By:
	Title: FREIGHTLINER FRONT BATTERY STUDS & CABLES	I.D. # 2015\ COMPONENTS\ELECTRIC\ FRTLNR_FRT_BAT_STUD_CABLE	Date: 2/27/14	Date: 3/4/14	Revision:	By:

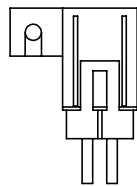
FOR DETAILED INFORMATION, SEE FREIGHTLINER MANUAL OR CALL FCCC @ 1-800-385-4357



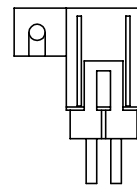
FREIGHTLINER REAR FUSE PANEL

POSITION	SIZE	CIRCUIT DESCRIPTION	POSITION	SIZE	CIRCUIT DESCRIPTION	POSITION	SIZE	CIRCUIT DESCRIPTION
F02	150A	DASH BATTERY POWER	F25	-	NOT USED	F47	-	NOT USED
F03	150A	AUX BATTERY POWER	F26	-	NOT USED	F48	-	NOT USED
F05	-	NOT USED	F27	-	NOT USED	F49	-	NOT USED
F06	-	NOT USED	F28	10A	ABS IGNITION	F50	-	NOT USED
F07	-	NOT USED	F29	15A	ABS BATTERY	R02	-	CHASSIS IGNITION
F08	-	NOT USED	F30	15A	DRAIN VALVE IGNITION	R03	-	POWERTRAIN IGNITION
F09	5A	ECM IGNITION	F31	15A	AIR DRYER IGNITION	R04	-	MODULE IGNITION
F10	-	NOT USED	F32	20A	FUEL HEATER IGNITION	R06	-	REVERSE LAMPS
F11	-	NOT USED	F33	-	NOT USED	R07	-	NEUTRAL START
F12	-	NOT USED	F34	-	NOT USED	R08	-	FAN CLUTCH
F13	10A	REV LPS BATTERY	F35	20A	TOW MARKER BATTERY	R10	-	NOT USED
F14	10A	TCM IGNITION	F36	20A	TOW LEFT TURN BATTERY	R11	-	NOT USED
F15	10A	TCM BATTERY	F37	20A	TOW RIGHT TURN BATTERY	R12	-	NOT USED
F16	5A	FAN CLUTCH IGNITION	F38	30A	TOW IGNITION	R13	-	TOW MARKER LIGHTS
F17	5A	DIAGNOSTIC BATTERY	F39	20A	TOW REV LIGHTS BATTERY	R14	-	TOW LEFT TURN LIGHTS
F18	-	NOT USED	F40	15A	DEF LINE HEATER	R15	-	TOW RIGHT TURN LIGHTS
F19	5A	TAG MDL BATTERY	F41	-	NOT USED	R16	-	TOW IGNITION
F21	-	NOT USED	F43	10A	ALTERNATOR IGNITION	R17	-	TOW REVERSE LIGHTS
F22	10A	ATD IGNITION	F44	5A	DEF GAUGE IGNITION	R18	-	DEF LINE HEATER
F23	-	NOT USED	F45	-	NOT USED	R19	-	DEF SUPPLY MODULE
F24	-	NOT USED	F46	-	NOT USED			

30A ENGINE ECM BATTERY FUSE



10A AFTERTREATMENT BATTERY FUSE



NEWMAR CORP
P.O. Box 30,
Nappanee, IN. 46550

Model:
VLDP, VTDP, DSDP, MADP, EXDP, LADP

Sheet
2 of 2

Drawn by:
R. T.

Checked by:
M. W.

Revision:

By:

Title:
FREIGHTLINER FRONT BATTERY
STUDS & CABLES

I.D. # 2015\
COMPONENTS\ELECTRIC\
FRTLNR_FRT_BAT_STUD_CABLE

Date:
2/27/14

Date:
3/4/14

Revision:

By:

Title block--1-2fulTB

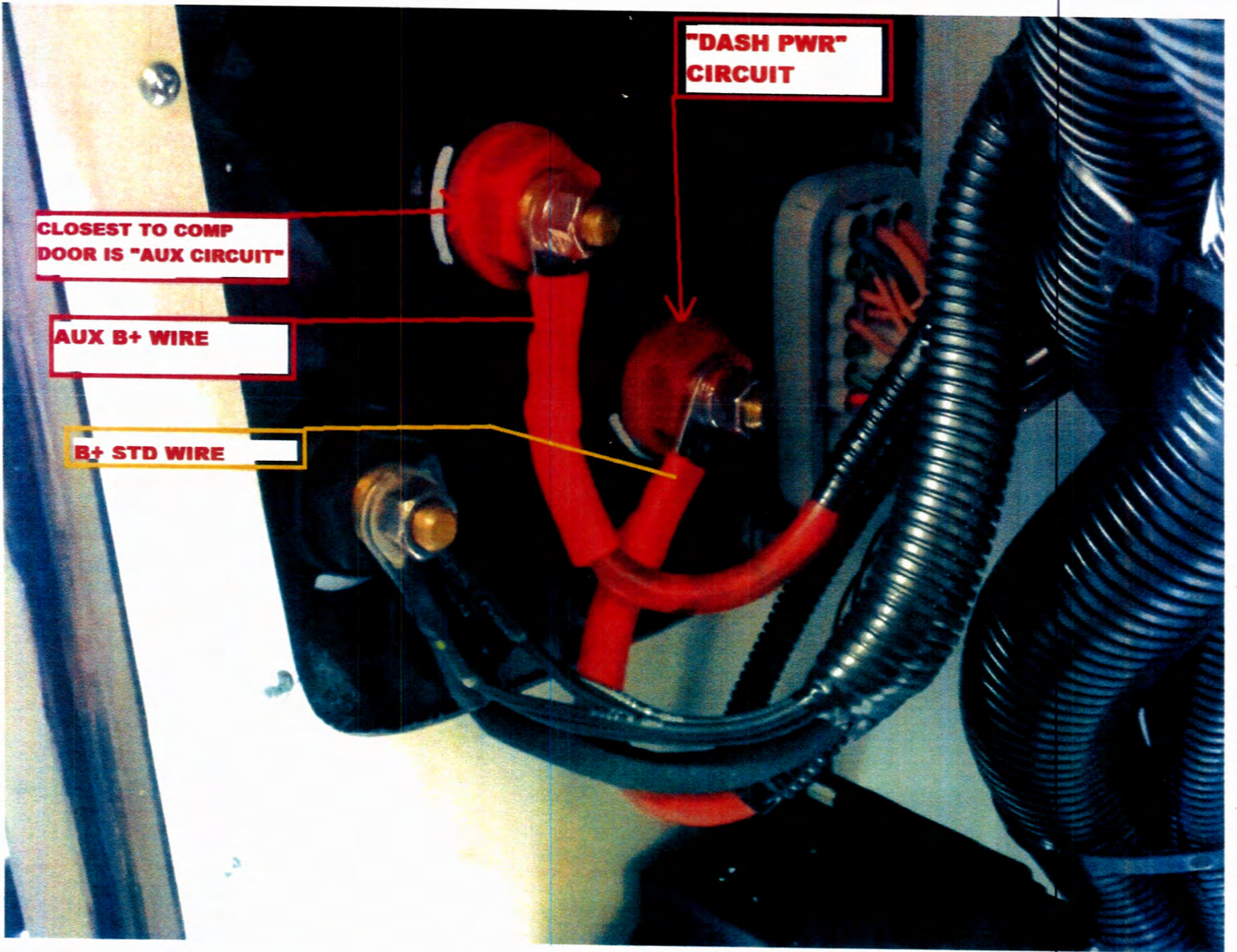
Date:

**"DASH PWR"
CIRCUIT**

**CLOSEST TO COMP
DOOR IS "AUX CIRCUIT"**

AUX B+ WIRE

B+ STD WIRE





**DASH PWR CIRCUIT,
HWH FEED**

**AUX CIRCUIT,
GENERATOR FEED**

Production Number	Date In Production
411199	1/31/2013
411200	2/26/2013
411202	2/5/2013
411262	5/3/2013
411264	5/28/2013
411265	5/31/2013
411266	6/3/2013
411267	8/16/2013
411268	5/16/2013
411269	6/21/2013
411270	6/10/2013
411271	6/14/2013
411272	8/12/2013
411273	5/29/2013
411274	6/13/2013
411275	5/20/2013
411276	6/11/2013
411277	5/30/2013
411278	8/23/2013
411279	8/9/2013
411280	9/13/2013
411281	11/1/2013
411282	8/19/2013
411283	6/24/2013
411284	6/18/2013
411285	6/7/2013
411286	7/22/2013
411286	7/22/2013
411286	7/22/2013
411287	5/8/2013
411288	5/13/2013
411289	5/13/2013
411290	6/25/2013
411291	6/6/2013
411292	6/19/2013
411293	6/25/2013
411294	7/8/2013
411295	6/14/2013
411296	7/8/2013
411297	8/29/2013
411298	6/26/2013
411299	7/9/2013
411301	6/13/2013
411302	6/26/2013
411303	6/12/2013
411304	6/12/2013

Production Number	Date In Production
411306	5/14/2013
411307	5/6/2013
411308	5/7/2013
411309	5/8/2013
411310	5/15/2013
411311	6/7/2013
411312	7/15/2013
411313	8/13/2013
411314	7/23/2013
411315	7/16/2013
411316	7/24/2013
411317	7/23/2013
411318	7/29/2013
411319	7/15/2013
411320	6/12/2013
411321	7/26/2013
411322	6/18/2013
411323	7/25/2013
411324	7/19/2013
411325	7/17/2013
411326	8/2/2013
411327	8/7/2013
411328	7/30/2013
411329	8/12/2013
411330	8/26/2013
411331	8/23/2013
411332	7/30/2013
411333	8/26/2013
411334	9/6/2013
411335	8/20/2013
411336	8/19/2013
411337	8/21/2013
411338	8/22/2013
411339	8/22/2013
411339	8/22/2013
411340	8/27/2013
411341	7/10/2013
411342	10/21/2013
411343	7/11/2013
411344	7/25/2013
411345	8/30/2013
411346	6/20/2013
411347	7/18/2013
411348	8/8/2013
411349	8/13/2013
411350	8/14/2013

Production Number	Date In Production
411351	8/8/2013
411352	8/16/2013
411353	6/27/2013
411354	7/12/2013
411355	8/6/2013
411356	8/6/2013
411357	7/11/2013
411358	7/12/2013
411359	8/28/2013
411360	9/5/2013
411361	9/16/2013
411362	9/9/2013
411365	8/5/2013
411366	9/3/2013
411367	9/20/2013
411368	9/19/2013
411369	9/24/2013
411370	9/11/2013
411371	9/6/2013
411372	8/5/2013
411373	8/2/2013
411374	9/17/2013
411375	9/25/2013
411376	9/30/2013
411377	10/7/2013
411378	9/17/2013
411379	9/11/2013
411380	9/18/2013
411382	10/14/2013
411383	10/1/2013
411384	9/27/2013
411385	9/30/2013
411386	9/25/2013
411387	9/26/2013
411388	10/10/2013
411389	10/14/2013
411390	10/3/2013
411391	9/12/2013
411392	10/25/2013
411393	10/22/2013
411394	11/18/2013
411395	11/8/2013
411396	11/18/2013
411397	10/21/2013
411398	11/19/2013
411399	11/19/2013

Production Number	Date In Production
411400	11/21/2013
411401	11/20/2013
411402	11/25/2013
411403	11/5/2013
411404	10/15/2013
411405	10/9/2013
411406	10/16/2013
411407	10/23/2013
411408	10/24/2013
411409	11/21/2013
411410	10/4/2013
411412	10/7/2013
411413	10/25/2013
411414	10/9/2013
411415	11/11/2013
411416	11/4/2013
411417	9/23/2013
411418	11/12/2013
411419	12/9/2013
411420	10/2/2013
411421	10/18/2013
411422	12/4/2013
411423	10/28/2013
411425	11/6/2013
411427	12/10/2013
411428	10/30/2013
411429	11/11/2013
411430	10/30/2013
411431	11/7/2013
411432	11/12/2013
411433	12/6/2013
411434	11/12/2013
411435	12/4/2013
411436	10/17/2013
411437	11/14/2013
411437	11/14/2013
411438	12/11/2013
411439	12/11/2013
411440	10/31/2013
411441	12/12/2013
411442	11/15/2013
411443	12/5/2013
411444	12/2/2013
411445	12/12/2013
411446	11/25/2013
411447	1/14/2014

Production Number	Date In Production
411448	12/13/2013
411449	1/16/2014
411450	12/12/2013
411453	1/8/2014
411454	12/17/2013
411455	11/15/2013
411457	12/13/2013
411458	12/2/2013
411459	12/17/2013
411460	1/9/2014
411461	1/8/2014
411463	1/9/2013
411465	12/18/2013
411467	12/3/2013
411468	
411471	12/18/2013
411472	11/27/2013
411474	1/10/2014
411479	1/13/2014
411482	12/2/2013
411483	2/6/2014
411487	
411489	2/7/2014
411494	
411496	12/19/2013
411500	12/19/2013
411502	
411506	11/27/2013
411516	
411517	
411521	
411527	
411530	
411534	1/27/2014
411535	
411540	
411559	2/6/2014
604604	2/19/2013
604605	2/12/2013
604645	3/27/2013
604654	5/21/2013
604655	5/31/2013
604656	11/8/2013
604657	5/21/2013
604658	5/24/2013
604659	5/29/2013

Production Number	Date In Production
604660	6/3/2013
604661	9/27/2013
604662	9/27/2013
604663	10/4/2013
604664	6/3/2013
604666	5/14/2013
604667	9/16/2013
604668	5/13/2013
604670	6/5/2013
604671	11/22/2013
604672	7/16/2013
604673	7/29/2013
604674	7/17/2013
604675	6/20/2013
604676	7/25/2013
604677	8/23/2013
604678	5/16/2013
604679	6/11/2013
604680	5/22/2013
604682	7/9/2013
604683	5/7/2013
604684	5/6/2013
604685	5/14/2013
604686	10/10/2013
604687	5/15/2013
604688	7/24/2013
604689	6/17/2013
604692	7/11/2013
604693	7/30/2013
604694	8/12/2013
604695	7/31/2013
604696	8/16/2013
604697	6/7/2013
604698	9/13/2013
604699	7/23/2013
604700	6/13/2013
604701	7/22/2013
604702	7/18/2013
604703	6/20/2013
604704	8/6/2013
604705	7/18/2013
604706	8/15/2013
604707	6/25/2013
604708	7/12/2013
604709	7/22/2013
604712	8/14/2013

Production Number	Date In Production
604714	6/21/2013
604715	8/21/2013
604716	6/21/2013
604718	8/1/2013
604719	8/16/2013
604720	8/27/2013
604722	8/27/2013
604723	9/9/2013
604724	7/19/2013
604725	8/2/2013
604728	8/8/2013
604729	8/9/2013
604731	8/28/2013
604732	9/17/2013
604733	8/30/2013
604734	9/3/2013
604735	9/4/2013
604736	9/5/2013
604737	8/19/2013
604738	9/23/2013
604739	9/10/2013
604740	11/1/2013
604741	9/24/2013
604742	8/9/2013
604743	8/7/2013
604744	8/5/2013
604745	11/8/2013
604746	9/18/2013
604747	9/19/2013
604748	10/1/2013
604749	8/29/2013
604750	10/25/2013
604751	10/1/2013
604752	9/24/2013
604753	9/10/2013
604754	9/11/2013
604755	9/12/2013
604756	9/25/2013
604757	10/21/2013
604758	11/4/2013
604759	11/15/2013
604760	11/26/2013
604761	11/25/2013
604762	11/26/2013
604763	11/18/2013
604764	11/19/2013

Production Number	Date In Production
604765	11/26/2013
604766	10/21/2013
604767	11/19/2013
604768	10/2/2013
604769	9/20/2013
604770	9/12/2013
604771	11/27/2013
604772	11/20/2013
604774	10/3/2013
604775	11/4/2013
604776	12/16/2013
604777	12/3/2013
604778	12/4/2013
604779	11/20/2013
604780	11/21/2013
604781	11/5/2013
604782	11/5/2013
604783	11/6/2013
604784	9/19/2013
604785	10/28/2013
604786	10/29/2013
604787	10/17/2013
604788	10/29/2013
604789	11/11/2013
604790	12/16/2013
604792	11/12/2013
604793	9/25/2013
604794	11/13/2013
604795	10/14/2013
604796	9/13/2013
604797	11/13/2013
604798	12/4/2013
604799	9/23/2013
604800	11/7/2013
604801	11/14/2013
604802	12/5/2013
604804	10/16/2013
604805	10/8/2013
604807	10/7/2013
604809	10/24/2013
604810	10/22/2013
604811	11/1/2013
604812	10/16/2013
604813	10/30/2013
604814	10/23/2013
604815	10/23/2013

Production Number	Date In Production
604816	11/6/2013
604817	11/14/2013
604818	11/7/2013
604819	10/31/2013
604820	12/5/2013
604821	11/22/2013
604823	10/18/2013
604824	10/31/2013
604825	11/14/2013
604826	12/5/2013
604827	11/14/2013
604828	11/8/2013
604830	11/27/2013
604831	12/6/2013
604832	12/9/2013
604833	11/27/2013
604835	12/3/2013
604838	12/18/2013
604840	12/11/2013
604841	12/10/2013
604841	12/10/2013
604842	2/3/2014
604844	12/6/2013
604845	12/6/2013
604846	1/8/2014
604847	1/14/2014
604849	1/8/2014
604850	12/12/2013
604851	12/6/2013
604852	1/9/2014
604856	1/15/2014
604857	1/10/2014
604858	
604864	12/13/2013
604866	1/10/2014
604867	1/14/2014
604868	1/10/2014
604869	12/13/2013
604870	12/17/2013
604871	
604877	
604886	
604893	2/5/2014
604895	1/16/2014
604896	
604897	

Production Number	Date In Production
604898	
604901	
604905	
801025	2/15/2013
801038	5/20/2013
801042	7/22/2013
801044	7/31/2013
801046	8/8/2013
801047	8/28/2013
801051	9/9/2013
801052	8/29/2013
801058	10/11/2013
801063	9/16/2013
801064	10/4/2013
801065	9/27/2013
801069	11/11/2013
904137	1/28/2013
904149	6/24/2013
904150	5/23/2013
904151	5/28/2013
904152	6/17/2013
904153	5/17/2013
904154	5/10/2013
904155	7/19/2013
904156	6/26/2013
904157	7/16/2013
904158	5/30/2013
904159	7/17/2013
904160	5/3/2013
904161	8/27/2013
904162	7/10/2013
904163	6/6/2013
904164	6/4/2013
904166	6/10/2013
904168	6/19/2013
904169	8/1/2013
904170	7/26/2013
904171	8/26/2013
904172	8/13/2013
904173	8/23/2013
904174	8/15/2013
904175	8/20/2013
904176	8/20/2013
904177	7/23/2013
904180	9/4/2013
904181	6/27/2013

Production Number	Date In Production
904183	7/30/2013
904184	8/7/2013
904185	8/15/2013
904186	8/5/2013
904187	9/4/2013
904188	9/9/2013
904189	8/30/2013
904190	10/9/2013
904191	9/11/2013
904192	10/11/2013
904193	9/17/2013
904194	10/8/2013
904195	10/15/2013
904196	10/23/2013
904197	11/6/2013
904198	10/28/2013
904199	11/5/2013
904200	11/22/2013
904201	11/25/2013
904202	10/29/2013
904203	11/20/2013
904204	12/13/2013
904205	9/18/2013
904206	10/4/2013
904209	11/1/2013
904210	11/12/2013
904211	10/18/2013
904212	1/8/2014
904213	12/5/2013
904214	12/9/2013
904216	10/22/2013
904217	10/25/2013
904218	11/18/2013
904218	11/18/2013
904218	11/18/2013
904220	12/3/2013
904221	12/3/2013
904223	12/10/2013
904224	11/8/2013
904225	12/16/2013
904226	12/17/2013
904227	12/19/2013
904228	11/15/2013
904229	12/18/2013
904232	
904234	1/13/2014

Production Number	Date In Production
904236	2/6/2014
411300	5/17/2013
411451	1/16/2014
411452	1/20/2014
411462	1/15/2014
411464	1/17/2014
411466	1/17/2014
411469	1/30/2014
411473	1/21/2014
411478	1/29/2014
411480	2/3/2014
411481	1/22/2014
411484	2/7/2014
411485	2/3/2014
411486	1/21/2014
411488	1/23/2014
411490	1/30/2014
411491	2/3/2014
411495	1/22/2014
411498	1/31/2014
411499	1/24/2014
411508	1/27/2014
411509	1/29/2014
411518	1/31/2014
411523	1/20/2014
411528	1/24/2014
411529	1/24/2014
411553	2/4/2014
411554	2/5/2014
604836	12/9/2013
604837	1/21/2014
604839	1/17/2014
604848	1/15/2014
604859	1/13/2014
604860	1/27/2014
604861	1/16/2014
604862	1/20/2014
604863	1/21/2014
604865	1/22/2014
604873	1/23/2014
604874	1/30/2014
604878	1/23/2014
604879	1/31/2014
604882	1/20/2014
604883	1/29/2014
604884	2/4/2014

Production Number	Date In Production
604885	2/5/2014
604887	1/30/2014
801078	1/20/2014
801081	1/21/2014
904219	2/4/2014
904222	12/11/2013
904231	1/20/2014
904233	1/24/2014
904235	1/22/2014
904237	1/16/2014
904238	2/3/2014
904239	1/14/2014
904240	1/27/2014
411557	2/4/2014

Canadian Units

Production Number	Date In Production
411201	2/25/2013
411363	10/11/2013
411364	7/31/2013
411381	9/20/2013
604669	6/19/2013
604691	6/24/2013
604710	8/22/2013
604711	8/13/2013
604713	8/1/2013
604803	9/26/2013
604806	10/11/2013
604853	11/22/2013
801048	8/19/2013
904165	6/14/2013
904167	7/8/2013
904178	7/15/2013
904179	8/21/2013
904207	10/7/2013
904208	9/6/2013
904215	11/13/2013
604773	10/2/2013