



Service Bulletin

File in Section: -

Bulletin No.: PIC6051

Date: December, 2014

PRELIMINARY INFORMATION

Subject: Unwanted Window Reversal During An Express Up Function

Models: 2015 Cadillac ATS Coupe

The following diagnosis might be helpful if the vehicle exhibits the symptom(s) described in this PI.

Condition/Concern

A customer may comment that their window reaches the top of travel and reverses, or will reverse at any point in its upward travel during cold weather.

Recommendation/Instructions

Note: Do NOT replace the window regulator motor for this concern.

If this concern is encountered and Side Door Window Mechanical Diagnosis in SI has not resolved the issue refer to the following instructions:

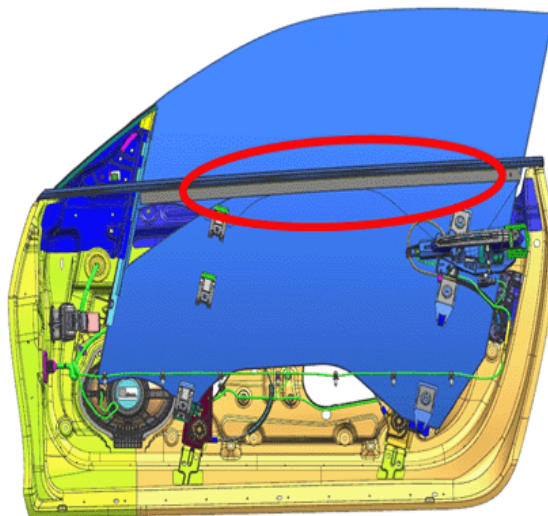
Begin by checking the following areas for possible binding issues

Important: If any object is in the path of the window when the express-up is active, the window will stop at the obstruction and auto-reverse to a preset factory position. Weather conditions such as severe icing may also cause the window to auto-reverse. The window will return to normal operation after the obstruction or condition is removed.

The anti-pinch feature can be overridden when the ignition is in ON/RUN/START position. Hold the window switch all the way up to the second position. The window will rise for as long as the switch is held. Once the switch is released, the express mode is reactivated. In this mode, the window can close on an object in its path, Use care when using the override mode.

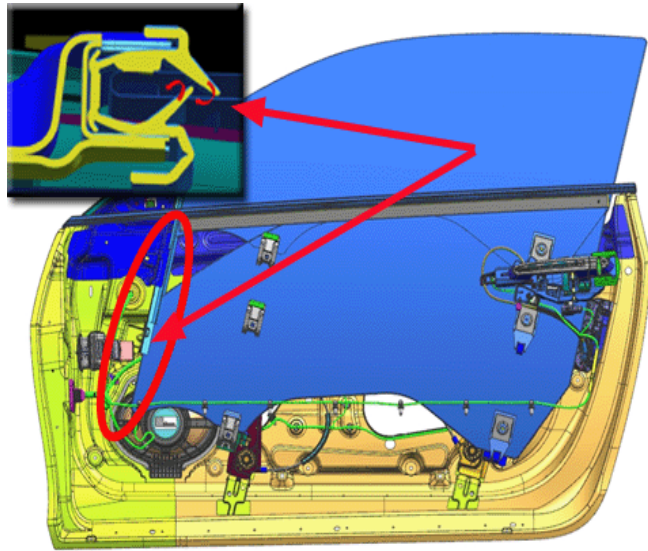
You can refer the customer to the Owner's Manual for the above information

1. Check the inner belt molding to make sure it was not installed too far forward causing the lip to fold over adding resistance to the window operation.



4006237

2. Check the forward run channel seals to make sure they are not folded under the forward edge of glass. You cannot see this unless you look down through the belt line seals



4006234

3. Too much glass tip-in (pre-load) can cause too much seal pressure. This can be adjusted by moving the lower rear regulator rail inboard through the access hole in the bottom of the door
4. Too little glass tip-in (pre-load) can cause the glass to contact too far outboard on the bright molding. This can be adjusted by moving the lower rear regulator rail outboard through the access hole in the bottom of the door.
5. Forward run channel (reference PICTURE 2 Above) may be out of position. This can be adjusted by lowering the window to full down position, loosen the lower forward regulator rail and allow to relax and self-center. Lower fastener can be accessed through the access hole in the bottom of the door.

Note: For concerns 3, 4, and 5 (above) reference the Front Side Door Window Regulator Replacement section of SI.

If any repairs have been made both seals, and forward run channel are positioned correctly, please make sure to follow the relearn procedure below - which can also be viewed in the Window Motor Programming - Express Function of SI

A relearn procedure may need to be performed for any of the Local Interconnect Network (LIN) window motors for the following conditions:

- ⇒ When the window glass is out of alignment
- ⇒ Window glass is out of alignment
- ⇒ Window glass has been replaced
- ⇒ Door has been replaced
- ⇒ Window regulator has been replaced

Note: Prior to performing the relearn procedure, the vehicle must have all 4 wheels mounted with tires properly inflated. the vehicle must be sitting on a level surface, and all doors must be completely closed

To relearn the window motor, follow these steps:

1. Turn the ignition ON.
2. With a scan tool, select Module Diagnosis, Body Control Module, Configuration/Reset Functions and then select the appropriate Clear Window Learn Values for the window motor requiring the relearn procedure.
3. After the clear learn procedure, exit the scan tool learn procedure completely, the power window cannot be normalized and will not function until you exit the program
4. Starting with the window completely UP, press and hold the power window switch until the window is fully open and continue holding the switch down for approximately 5 seconds after the window is completely open.
5. Pull the power window switch up until the window is fully closed and continue holding the switch up for approximately 5 seconds after the window is completely closed. The window is now reprogrammed.

Warranty Information

For vehicles repaired under warranty use:

Labor Operation	Description	Labor Time
2080358*	Inspect Window Fit For Unwanted Window Reversal On Express Up	0.3 hr
Add	Adjust Belt Molding	0.1 hr
Add	Adjust Glass Tip in/out	0.2 hr
Add	Reposition forward Run Channel, and Weather-strip	0.4 hr
Add	Power Window Learn Procedure	0.2 hr
* This is a unique labor operation for bulletin use only. This will not be published in the Labor Time Guide.		

Please follow this diagnostic or repair process thoroughly and complete each step. If the condition exhibited is resolved without completing every step, the remaining steps do not need to be performed.