



# Service Bulletin

File in Section: -

Bulletin No.: PI1343A

Date: November, 2014

## PRELIMINARY INFORMATION

**Subject:** Harsh or Tie-Up Feeling from 6-4 Downshift

**Models:** 2012 Chevrolet Avalanche, Silverado, Suburban, Tahoe  
2012 GMC Sierra, Yukon Models  
Equipped with 6L80 Automatic Transmission (RPO MYC)

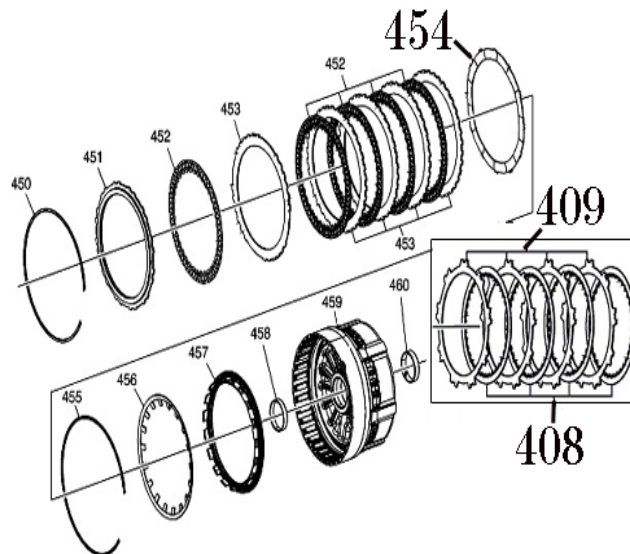
This PI has been revised to add the part number 24219390 to the Parts Information.  
Please discard PI1343.

### Condition/Concern

Some customers may comment on a harsh (detent) 6-4 downshift. The customer may also describe that during a heavy throttle application, a tie-up feeling followed after throttle has been released by a harsh 6-4 downshift.

### Recommendation/Instructions

Verify the condition, then follow the procedure listed below:



4004575

1. Perform the Reset Transmission Adapts in Service Information (SI) (Document ID #2571000).
2. Road test the vehicle to verify if the condition has been corrected.
3. If the condition has been corrected, replace the 2-6 clutch wave plate (454).

**Note:** When replacing the 2-6 clutch waved plate, the 1-2-3-4 clutch fiber (408) and steel plates (409) should also be replaced as they are likely to be distressed.

4. If the condition has NOT been corrected, refer to SI and follow the diagnostic instructions.

**Important:** After repair, be sure to Reset Transmission Adapts before returning the vehicle to the customer.

## Parts Information

Part Number	Description	Qty
24274020	PLATE, 2-6 CLU (WAVED) (454)	1
24236927	SEAL KIT, A/TRNS SERV	1
24219390	SEAL, TURB SHF	1
24248559	RING KIT, 1-2-3-4 & 3-5 REV CLU FLUID SEAL	1
24224147	PLATE, 1-2-3-4 CLU (FIBER) (PKG OF 6)	1
24258080	PLATE, 1-2-3-4 CLU (STEEL)	5
24224577	SEAL, A/TRNS FLUID PUMP	1
24236933	FILTER KIT, A/TRNS FLUID	1

## Warranty Information

For vehicles repaired under warranty, use the following labor operation.

Labor Operation	Description	Labor Time
8465732	2-6 Clutch Plate Overhaul	Use Published Labor Time Operation