



# Service Bulletin

File in Section: -

Bulletin No.: PIT5340

Date: December, 2014

## PRELIMINARY INFORMATION

**Subject:** Hood Shakes While Driving

**Models:** 2015 Chevrolet Colorado  
2015 GMC Canyon

The following diagnosis might be helpful if the vehicle exhibits the symptom(s) described in this PI.

### Condition/Concern

The hood may shake or flutter while driving. This could be caused by hood bumpers or the hood latch being out of adjustment

### Recommendation/Instructions

Perform the following tests to determine if the hood bumpers or latch require adjustment:

1. Open hood.

**Note:** If the paper is placed over the headlamp it could give a false reading. The outboard bumpers need the paper to be to the side of the headlamp and pulled over the fender. The middle bumpers need the paper to be to the front of the truck and pulled forward.

2. With a piece of paper, check at the outer and middle bumpers to ensure good contact of bumpers to hood. Paper must not pull free when the hood is closed



4001655

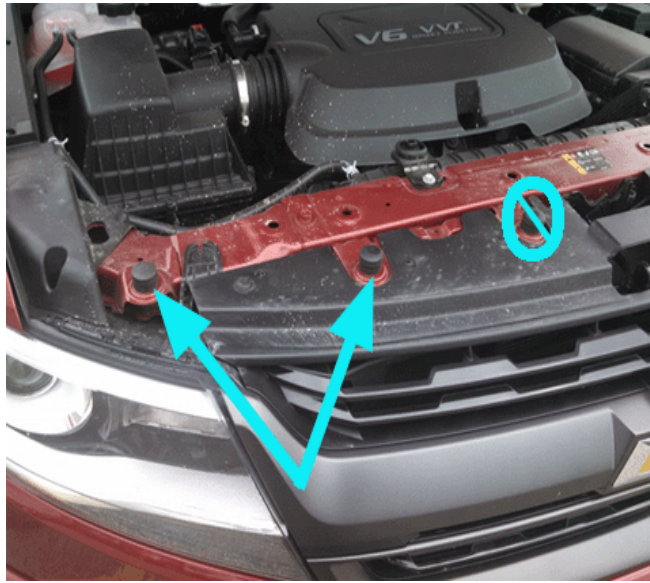
If bumpers and latch are not in adjustment based on the paper pulling loose in Step 2, continue with steps 3-8.  
Or

If bumpers and latch are in adjustment based on the paper holding its place in Step 2, skip to step 6-8.

3. Raise outer and middle hood bumpers (2 per side) until hood is flush with Fenders, setting the height of the bumpers to 22mm off of the bracket surface is a good starting point.

Repeat the paper test in Step 2.

If there is not enough contact and hood is flush to the fenders, continue to Step 4.

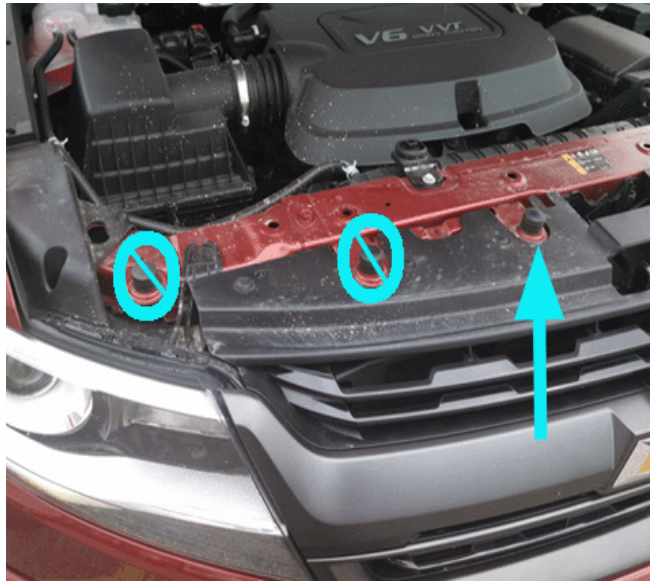


4001656

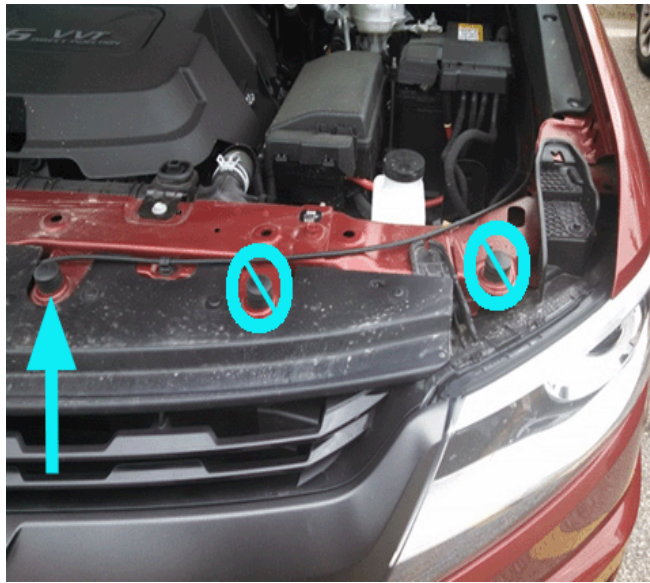


4001657

4. Temporarily mark the position of the hood latch. Using a 13mm ratchet or wrench, loosen the hood latch bolts just enough that the latch will move but is not completely free.  
Lightly tap the hood latch to lower it straight down 1mm (being careful not to move left or right) and retighten to 22Nm (16 lb. ft.) with a torque wrench.
5. After lowering the hood latch, lower the two inner bumpers (one on each side of latch) by 1/4 to 1/2 turn Clockwise. Repeat until the hood is acceptable for closing efforts.



4001658

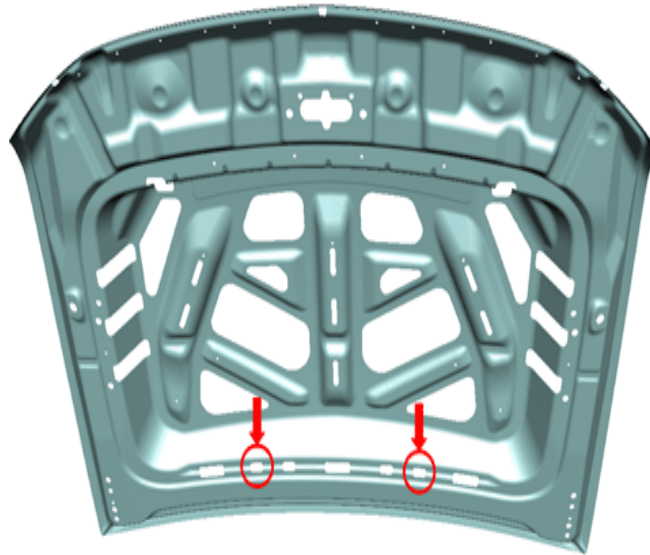


4001659

The paper test can be performed on the inner bumpers after latch adjustment. The inner bumpers should have very little to no drag to remove the paper.

**Note:** The Kent® Ure-Foam Expandable Foam Sound Deadener takes up to 3 days to fully cure. The customer should be advised that it can take up to 3 days before the maximum benefits are realized.

6. If applicable, remove the Hood Insulator.
7. Apply Kent® Ure-Foam Expandable Foam Sound Deadener in two locations (one per side) of the hood as illustrated below.



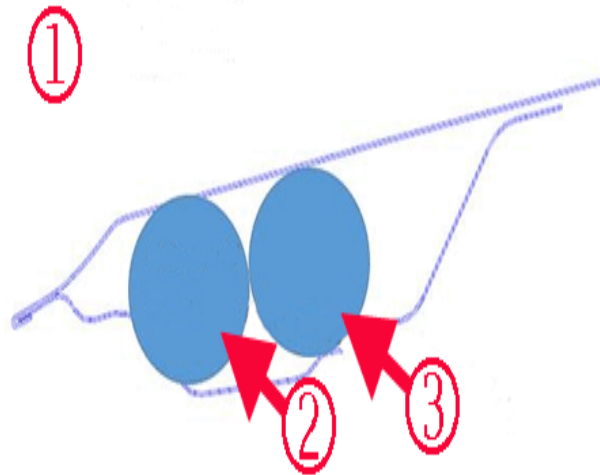
4008665

Inject foam into the second hole from the side.

Aim the applicator nozzle straight to the back and begin to fill the cavity. Once half of the product has been dispensed, tilt the tip upward and slowly draw the applicator back as the last half of the foam is injected, ensuring the product is applied to the hood panel.

Remove any excess foam that prevents the hood Insulator from installing into the outer hole.

The following illustration (1) shows a cross-sectional slice of the hood assembly. Apply the first half of the product in area (2). Apply the second half of the product in area (3).



4039299

8. Repeat Step 7 on the other side of the hood.

9. Reinstall the Hood Insulator.

**Important:** Please advise the Customer that it can take up to 3 days for the foam used in this repair to fully cure before the maximum benefits are realized.

## Parts Information

Part Number	Description	Qty
*P10630	Kent® Ure-Foam Expandable Foam Sound Deadener	2 per vehicle
*P90378	Kent® Job Size Dual-Cartridge Gun (1 per dealership, this tool will be reused each time a repair is performed.)	1 per dealer

\*This is a Kent Automotive Part Number. We believe this source and their products to be reliable. There may be additional manufacturers of such products/materials. General Motors does not endorse, indicate any preference for, or assume any responsibility for the products or material from this firm or for any such items that may be available from other sources.

## Warranty Information

For vehicles repaired under warranty use:

Labor Operation	Description	Labor Time
1480418*	Apply Expandable Foam To The Hood and Adjust Hood Bumpers and Latch as Needed	0.4 hr

\* This is an unique labor operation for bulletin use only. This will not be published in the Labor Time Guide.

Please follow this diagnostic or repair process thoroughly and complete each step. If the condition exhibited is resolved without completing every step, the remaining steps do not need to be performed.