



# Service Bulletin

File in Section: -

Bulletin No.: PIT5290

Date: June, 2014

## PRELIMINARY INFORMATION

**Subject:** Rear A/C Blows Warm Air (Rear TXV)

**Models:** 2015 Cadillac Escalade  
2015 Chevrolet Tahoe  
2015 GMC Yukon

The following diagnosis might be helpful if the vehicle exhibits the symptom(s) described in this PI.

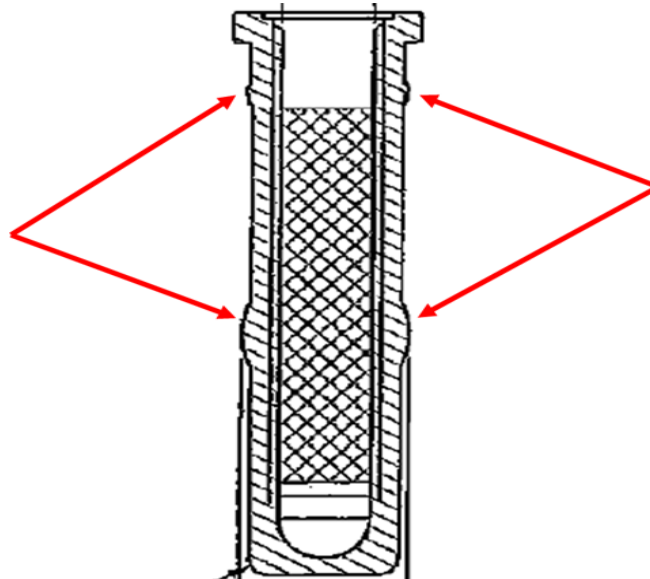
### Condition/Concern

Some owners may comment that the rear a/c is inoperative, but the front a/c blows cold and works normally. When checking the rear a/c lines at the rear TXV, both lines will be warm or the low side line will only be slightly cool. This concern could be caused by the rear TXV being plugged with debris.

### Recommendation/Instructions

To correct this concern, replace the rear TXV and install a liquid line filter to stop any additional debris from plugging the new TXV. Remove both a/c lines from the rear TXV and install filter part number 25914263 into the liquid line. The filter will slide inside the liquid line, but in some cases, the ribs on the filter will need to be cut off with a razor blade to fit properly. See picture below.

After reassembly, pull a vacuum on the system for 1 hr. then recharge with refrigerant.



3787514

### Parts Information

Part Number	Description	Qty
25914263	Liquid Line Filter	1
22816195	Rear TXV	1

## Warranty Information

For vehicles repaired under warranty, use:

Labor Operation	Description	Labor Time
4416230	Auxiliary Air Conditioning Evaporator Thermal Expansion Valve Replacement	Use Published Labor Operation Time

Please follow this diagnostic or repair process thoroughly and complete each step. If the condition exhibited is resolved without completing every step, the remaining steps do not need to be performed.