



Service Bulletin

File in Section: -

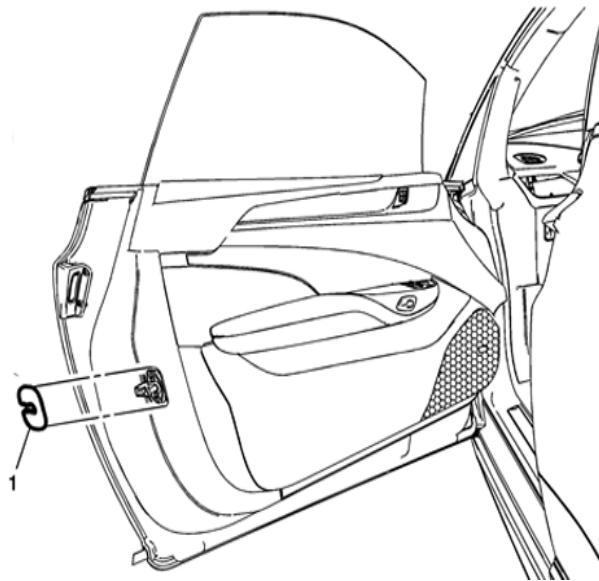
Bulletin No.: PI1177

Date: February, 2014

PRELIMINARY INFORMATION

Subject: Front Door Striker Cover Not Staying Secure to Striker, Falls Off

Models: 2014 Cadillac ELR
Condition/Concern



3711977

Some customers may comment that the driver and/or passenger door striker cover (1) falls off.

The cause of this condition may be that the door striker installed on the vehicle is the incorrect design, or the striker cover may have been improperly installed.

There will be no issues with closing and latching of the door due to the striker cover not being retained. It is entirely an appearance issue.

Recommendation/Instructions

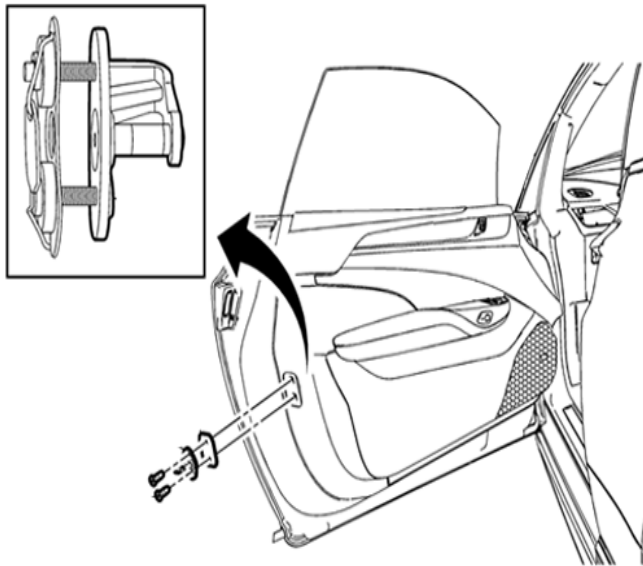


3711980

Inspect the front door strikers to make sure they are the design intent strikers that contain four tangs (circled above) that properly retain the covers. An example of the wrong design striker (with the tangs missing) is shown in the graphic below.

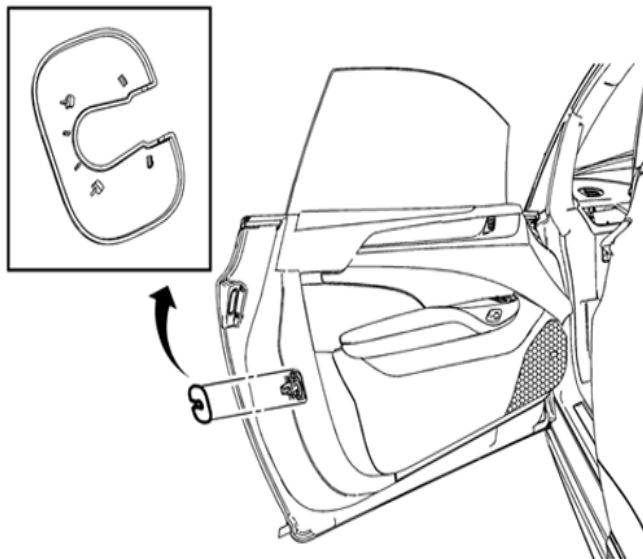


3711986



3711988

If the door striker tangs are missing, replace the door striker. Refer to the GM electronic parts catalog (EPC) for the correct service part and to Front Side Door Latch Striker Replacement in SI for the service procedure.



3711995

If the door striker tangs are present, or if you have just replaced the striker with the proper design part, refer to Front Side Door Latch Striker Cover Replacement in SI for proper installation of the cover(s).

Warranty Information

For vehicles repaired under warranty, use the appropriate labor operation from the list below:

Labor Operation	Description	Labor Time
2060510	Front Side Door Latch Striker Cover Replacement	Use Published Labor Operation Time
2080208*	Front Side Door Latch Striker Replacement	0.2 hr
*This is a unique Labor Operation for Bulletin use only. it will not be published in the Labor Time Guide.		