

# TECHNICAL BULLETIN

## Q371NAS2

### 10 JUN 2014



© Jaguar Land Rover North America, LLC

NOTE: The information in Technical Bulletins is intended for use by trained, professional Technicians with the knowledge, tools, and equipment required to do the job properly and safely. It informs these Technicians of conditions that may occur on some vehicles, or provides information that could assist in proper vehicle service. The procedures should not be performed by 'do-it-yourselfers'. If you are not a Retailer, do not assume that a condition described affects your vehicle. Contact an authorized Land Rover service facility to determine whether this bulletin applies to a specific vehicle.

Changes are highlighted in gray

### **SECTION: 501-10A / 10B**

Service Action: Incorrect Memory Seat Position Switches

### **AFFECTED VEHICLE RANGE:**

#### **Range Rover (LG)**

**Model Year:** 2014 **With:** Business Seats  
**VIN:** EA157451-EA158512

#### **Range Rover (LG)**

**Model Year:** 2014 **With:** Business Seats  
**VIN:** EA152795-EA154341

### **MARKETS:**

NAS

### **CONDITION SUMMARY:**

**Situation:** An issue has been identified on a limited number of 2014 model year Land Rover Range Rover (L405) vehicles, fitted with rear Business Seats only, which may have been manufactured with the incorrect memory seat position switches fitted to either the front or rear door casings.

**Action:** Retailers are required to **HOLD** all affected vehicles within the listed VIN range that are in their control and refrain from releasing the vehicles for new or used vehicle sale pending completion of the rework action detailed in this Technical Bulletin. Unsold vehicles should have this performed as part of the Pre-Delivery Inspection (PDI) process but must have it completed prior to vehicle handover to the customer. Affected vehicles already in the hands of customers should be updated at the next available opportunity.

### **PARTS:**

DESCRIPTION	PART No. / SUNDRY CODE	QTY. / VALUE
Seat Memory Switch	LR057353	1
Seat Memory Switch	LR057352	1

### **SPECIAL TOOLS:**

Refer to Workshop Manual / Service Instruction for any required tools

### **WARRANTY:**



**NOTE:** Check DDW to ensure that the vehicle is affected by this program prior to undertaking any rework action. Repair procedures are under constant review, and therefore times / prices are subject to change; those quoted here must be taken as guidance only. Refer to TOPIx to obtain the latest repair time. At the time of confirming a booking for vehicle repair, ensure that all outstanding Service Actions are identified to ensure the correct parts are available and adequate workshop time is allocated for repairs to be completed at one visit.

Warranty claims must be submitted quoting Program Code '**Q371**' together with the relevant Option Code from the table. The SRO and part information listed have been included for information only. The Option Code(s) that allows for the drive in / drive out allowance may only be claimed if the vehicle is brought into the workshop for this action alone to be undertaken.

This program is valid for a limited time only. Warranty claims with a repair date prior to the **30 April 2016** closure date must be submitted for payment within 30 calendar days of completion of the repair.

#### VIN EA152795-EA154341

PROGRAM CODE	OPTION CODE	DESCRIPTION	SRO	TIME (HOURS)	PARTS / SUNDRY CODE	QTY. / VALUE
Q371	A	Check front and rear door memory seat position switches - No further action	05.10.10	0.1	-	-
Q371	K	Check front and rear door memory seat position switches - No further action Drive in/drive out	05.10.10 02.02.02	0.1 0.2	- -	- -
Q371	B	Swap front with rear door memory seat position switches	05.11.20	2.0	-	-
Q371	C	Swap front with rear door memory seat position switches Drive in/drive out	05.11.20 02.02.02	2.0 0.2	- -	- -

#### VIN EA157451-EA158512

PROGRAM CODE	OPTION CODE	DESCRIPTION	SRO	TIME (HOURS)	PARTS / SUNDRY CODE	QTY. / VALUE
Q371	F	Check rear door memory seat position switches - No further action	05.10.10	0.1	-	-
Q371	G	Check rear door memory seat position switches - No further action Drive in/drive out	05.10.10 02.02.02	0.1 0.2	- -	- -
Q371	H	Replace rear door memory seat position switches	05.10.90	0.9	LR057353 LR057352	1 1
Q371	J	Replace rear door memory seat position switches Drive in/drive out	05.10.90 02.02.02	0.9 0.2	LR057353 LR057352 -	1 1 -

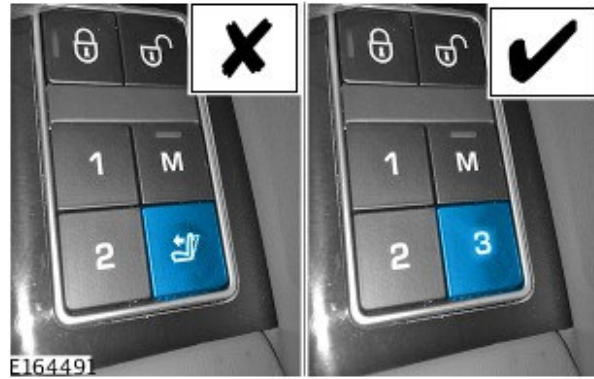


**NOTE: Normal Warranty policies and procedures apply**

### **SERVICE INSTRUCTION A:**

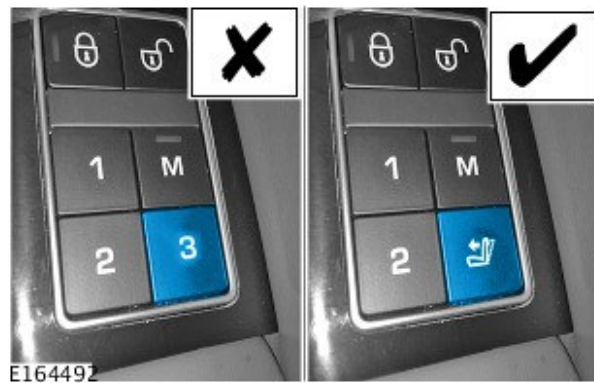
#### **VIN Range EA152795-EA154341 Only**

1. Check to see if the correct memory seat position switch is installed to both front door casings.
  - If correct or incorrect memory seat position switches, carry on to step 2.



**2.** Check to see if the correct memory seat position switch is installed to both rear door casings.

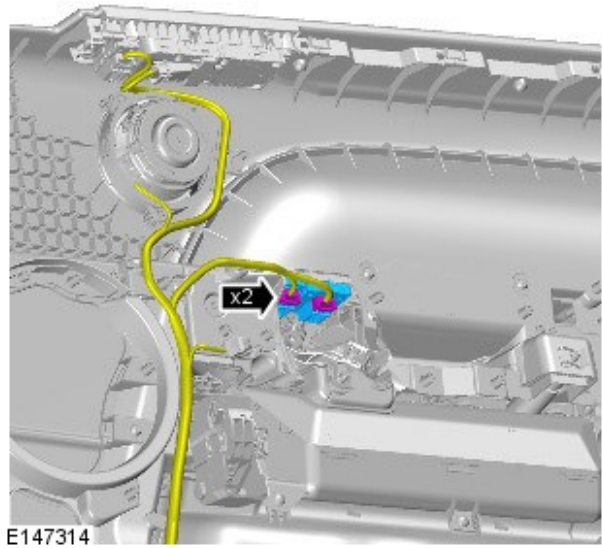
- If correct memory seat position switches installed, release the vehicle.
- If incorrect memory seat position switches, carry on from step 3.



**3.** Remove the front memory seat position switch (see TOPIx Workshop Manual, section 501-10).

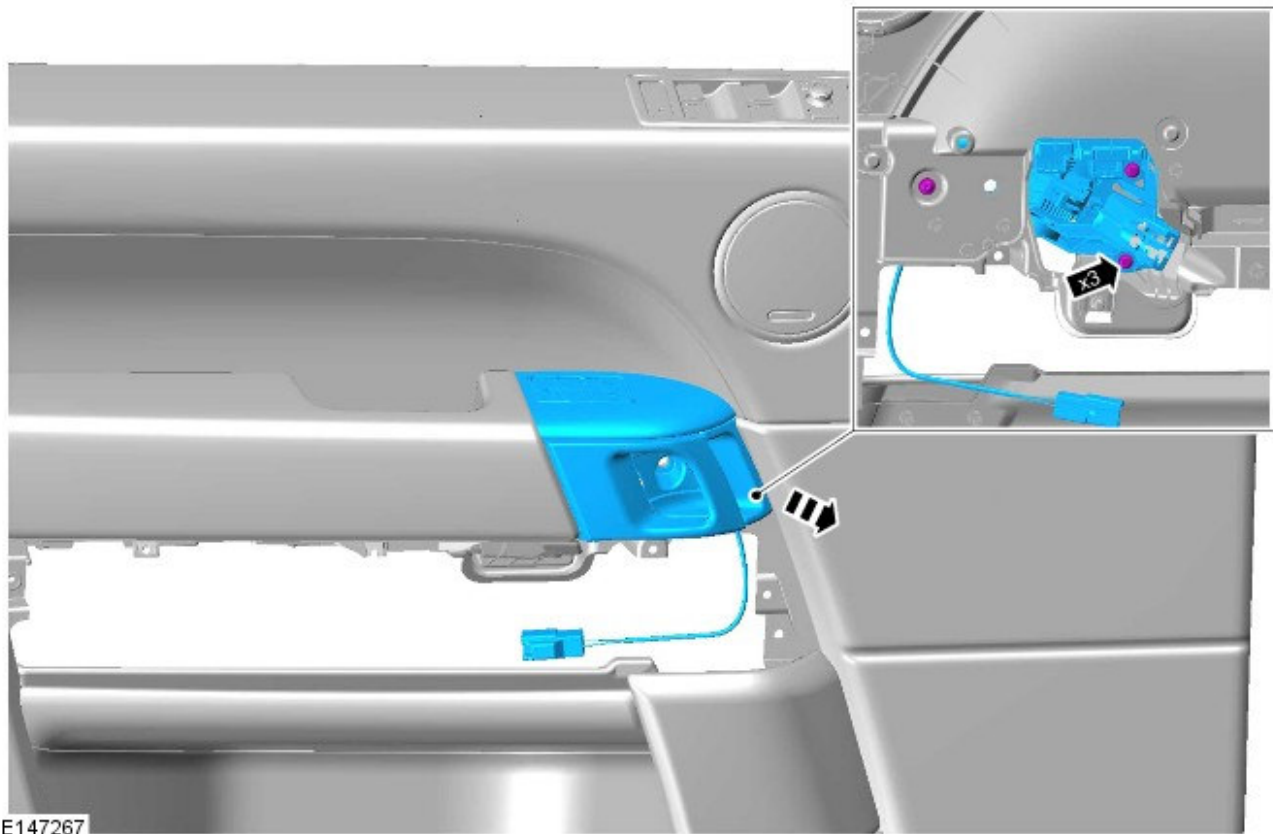
**4.** Remove rear door trim panel for access (see TOPIx Workshop Manual, section 501-05).

**5.** Disconnect the electrical connectors from the memory seat position switch.



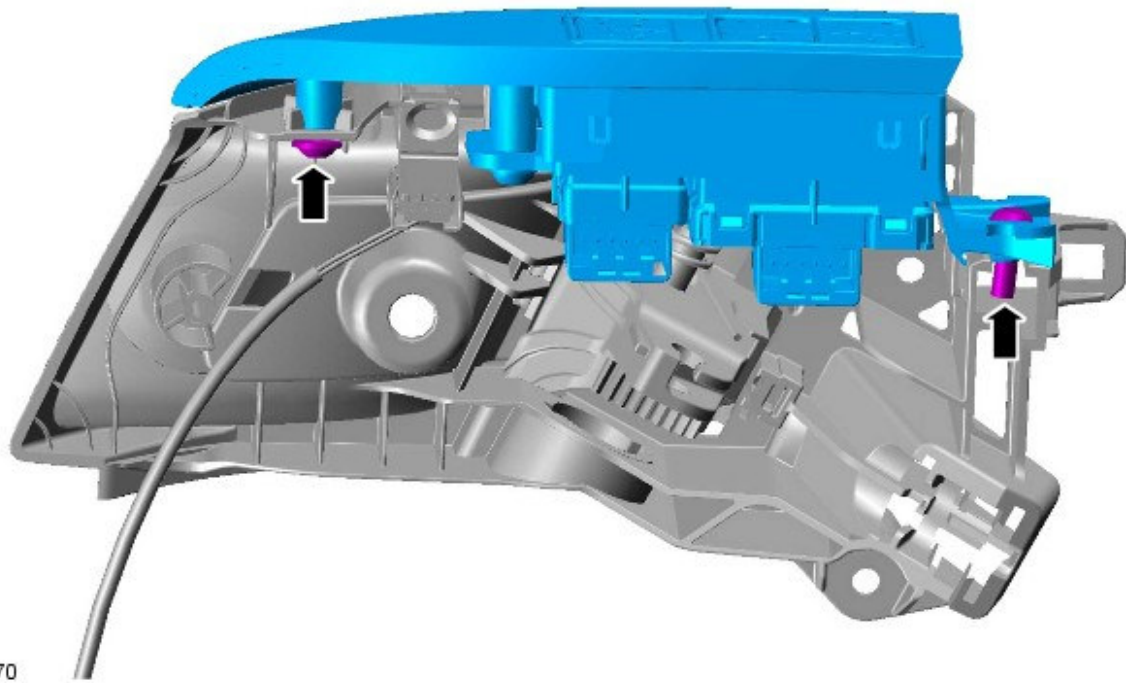
6. Remove the door trim.

- Remove screws.



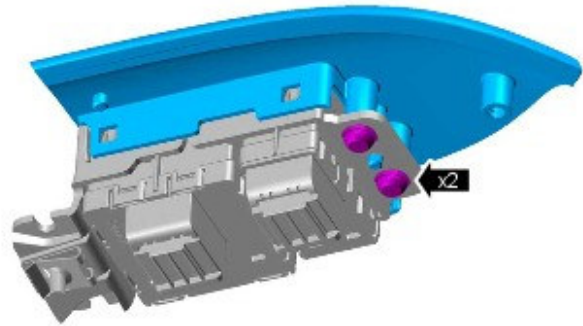
**7. Release door casing top panel.**

- Remove screws.



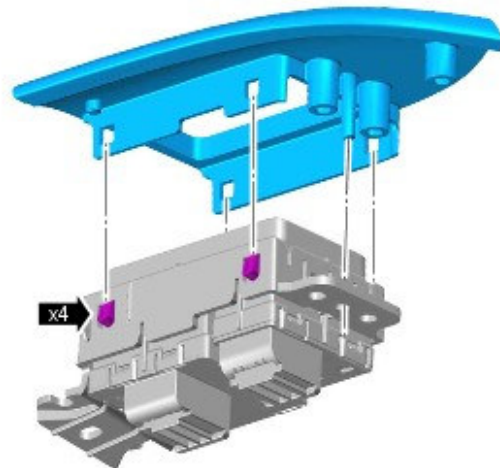
E147270

**8. Remove screws.**



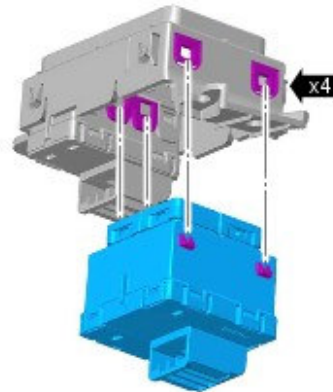
E147271

9. Release clips and remove cover.



E147268

10. Release clips and remove the memory seat position switch.



E147269

**11.** Install the removed rear memory seat position switch to the front door trim panel, and install the removed front memory seat position switch to the rear door casing.

- To install, reverse Steps 10 to 3.

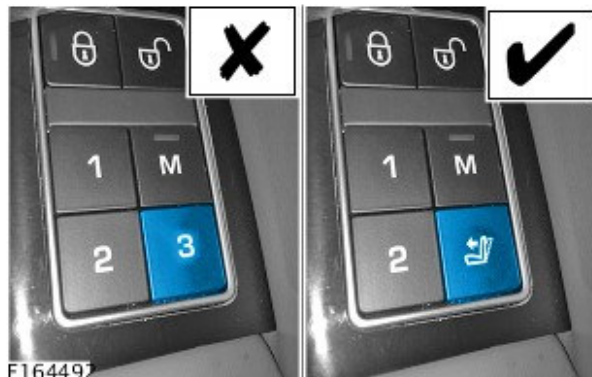
**12.** Carry out Steps 3 to 11 to the opposite side.

### **SERVICE INSTRUCTION B:**

**VIN Range EA157451-EA158512 Only**

**1.** Check to see if the correct memory seat position switch is installed to both rear door casings.

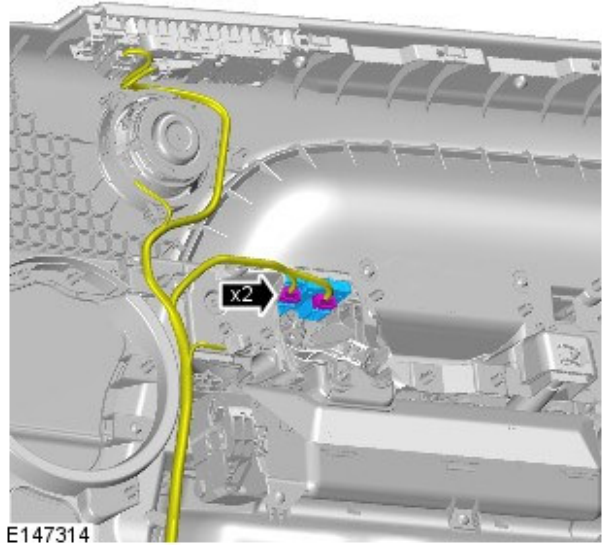
- If correct memory seat position switches installed, release the vehicle.
- If incorrect memory seat position switches installed, carry on from step 2.



E164492

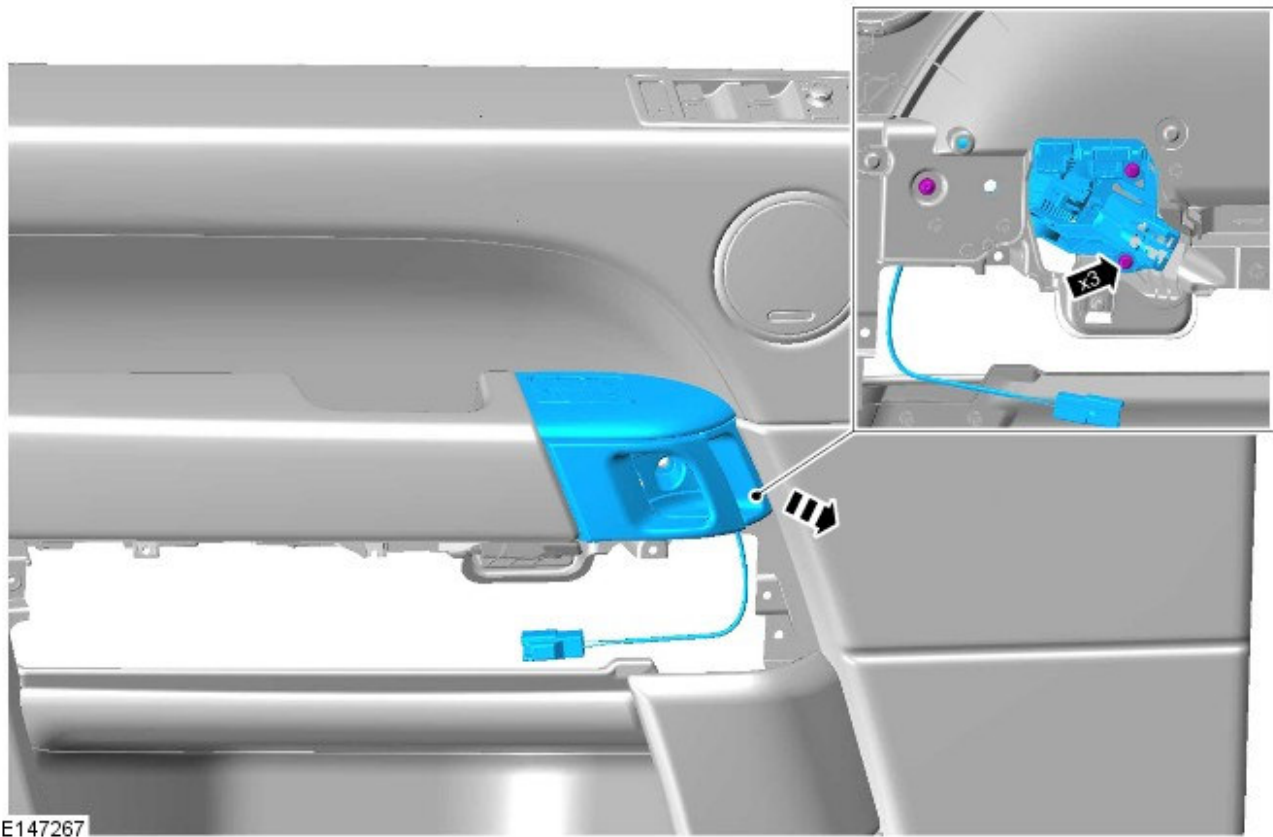
**2.** Remove rear door trim panel for access (see TOPIX Workshop Manual, section 501-05).

3. Remove the electrical connectors.



4. Remove the door trim.

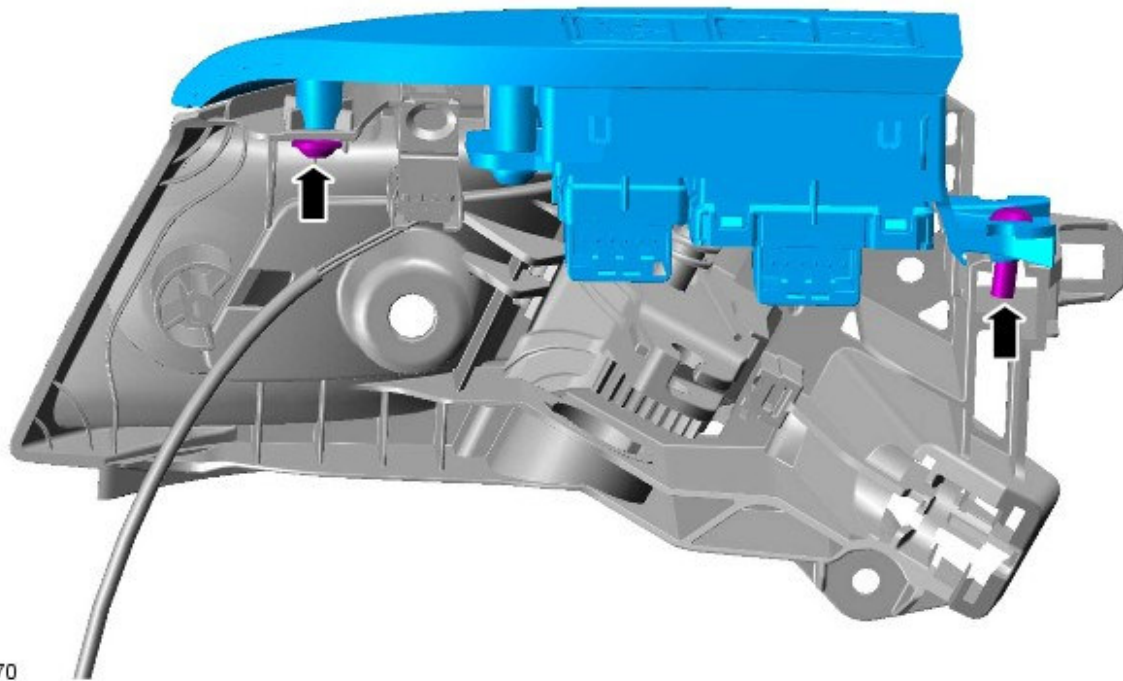
- Remove screws.





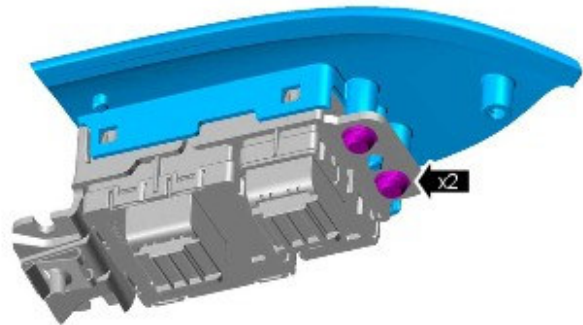
**5. Release door casing top panel.**

- Remove screws.



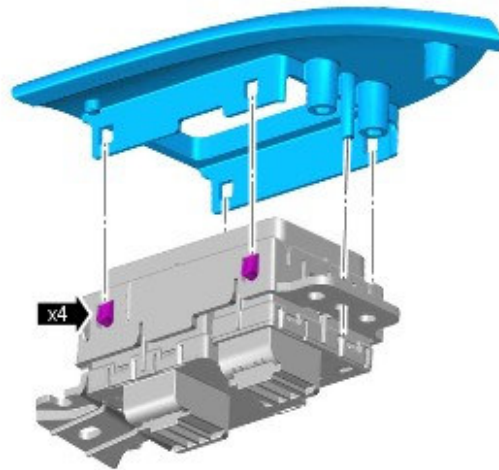
E147270

**6. Remove screws.**



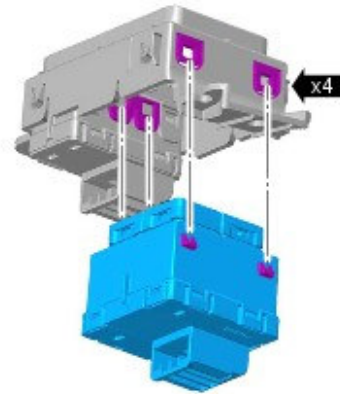
E147271

7. Release clips and remove cover.



E147268

8. Release clips and remove the seat position switch.



E147269

**9.** To install the new seat position switch, reverse the removal procedure.

**10.** Carry out Steps 2-9 to the opposite side.