

TECHNICAL BULLETIN
K207 UPS7513-2bNAS1
28 JAN 2014



© Jaguar Land Rover North America, LLC

NOTE: The information in Technical Bulletins is intended for use by trained, professional Technicians with the knowledge, tools, and equipment required to do the job properly and safely. It informs these Technicians of conditions that may occur on some vehicles, or provides information that could assist in proper vehicle service. The procedures should not be performed by 'do-it-yourselfers'. If you are not a Retailer, do not assume that a condition described affects your vehicle. Contact an authorized Jaguar service facility to determine whether this bulletin applies to a specific vehicle.

SECTION: 204-02

Update Prior to Sale: Rear Suspension Upgrade

AFFECTED VEHICLE RANGE:

XJ Range (X351)

Model Year: 2014
VIN: V51872-V64807

MARKETS:

NAS

CONDITION SUMMARY:

Situation: A small number of 2014 model year Jaguar XJR vehicles require an upgrade to the rear suspension system to align with current production specifications. A revised design rear suspension toe link nut with integral washer will be installed and, if necessary, the currently fitted 17-mm rear stabilizer must be replaced with an 18-mm rear stabilizer bar.

Action: Retailers are required to **HOLD** all affected vehicles within the listed VIN range that are in their control and refrain from releasing the vehicles for new or used vehicle sale pending completion of the rework action detailed in this Technical Bulletin. Unsold vehicles should have this performed as part of the Pre-Delivery Inspection (PDI) process. Affected vehicles already in the hands of customers should be updated at the next available opportunity.

PARTS:

DESCRIPTION	PART No. / SUNDRY CODE	QTY. / VALUE	EXPECTED % of VEHICLES REQUIRING PARTS*
Nut and washer assembly	C2D38498	2	100 (all VINs)
Rear Stabilizer Bar	C2P23536	1	90 (VINs V51872-V63402 only)
Bush	C2P18877	2	90 (VINs V51872-V63402 only)
Bolt	C2P7261	2	90 (VINs V51872-V63402 only)
Bolt	C2P7262	2	90 (VINs V51872-V63402 only)



NOTE: * when ordering parts, order only the expected percentage demand of parts identified

SPECIAL TOOLS:

Refer to Workshop Manual / Service Instruction for any required tools





WARRANTY:



NOTE: Check DDW to ensure that the vehicle is affected by this program prior to undertaking any rework action. Repair procedures are under constant review, and therefore times / prices are subject to change; those quoted here must be taken as guidance only. Refer to the Repair Times Searcher (RTS) on TOPIx to obtain the latest repair time. At the time of confirming a booking for vehicle repair, ensure that all outstanding Service Actions are identified to ensure the correct parts are available and adequate workshop time is allocated for repairs to be completed at one visit.

Warranty claims must be submitted quoting Program Code '**QK207**' together with the relevant Option Code from the table. The SRO and part information listed have been included for information only. The Option Code(s) that allows for the drive in / drive out allowance may only be claimed if the vehicle is brought into the workshop for this action alone to be undertaken.

This program is valid for a limited time only. Warranty claims with a repair date prior to the **23 July 2014** closure date must be submitted for payment within 30 calendar days of completion of the repair.

PROGRAM CODE	OPTION CODE	DESCRIPTION	SRO	TIME (HOURS)	PARTS	QTY. / VALUE
K207	B	 NOTE: VINs V51872-V63402 only Rear stabilizer bar - Renew Fit nut and washer assembly Carry out four-wheel alignment check	64.91.19	1.3	C2P23536	1
			05.10.30	0.3	C2P18877	2
			56.65.11	0.8	C2P7261	2
					C2P7262	2
					C2D38498	2
					-	-
K207	C	 NOTE: VINs V51872-V63402 only Rear stabilizer bar - Renew Fit nut and washer assembly Carry out four-wheel alignment check Drive in/drive out	64.91.19	1.3	C2P23536	1
			05.10.30	0.3	C2P18877	2
			56.65.11	0.8	C2P7261	2
			10.10.10	0.1	C2P7262	2
					C2D38498	2
					-	-
					-	-
K207	D	 NOTE: VINs V63564-V64807 only Fit nut and washer assembly	05.10.30	0.3	C2D38498	2
K207	E	 NOTE: VINs V63564-V64807 only Fit nut and washer assembly Drive in/drive out	05.10.30	0.3	C2D38498	2
			10.10.10	0.1	-	-



NOTE: Normal Warranty policies and procedures apply

SERVICE INSTRUCTION:



NOTE: For vehicles within the VIN range V63564-V64807, perform steps 1 and 30 only.



NOTE: Removal steps in this procedure may contain installation details.



- 1. WARNING: Make sure to support the vehicle with axle stands.**

Raise and support the vehicle (see TOPIx Workshop Manual, section 100-02).

Steps 2-29: VINs V51872-V63402 only

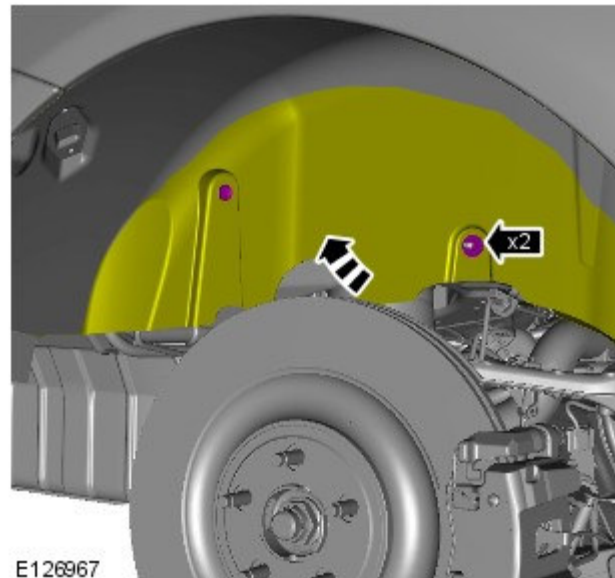
2. Remove the rear wheels and tires (see TOPIx Workshop Manual, section 204-04).



3. **NOTE: Repeat the step for the other side.**

Remove the retaining bolts and position the rear splash shield to one side.

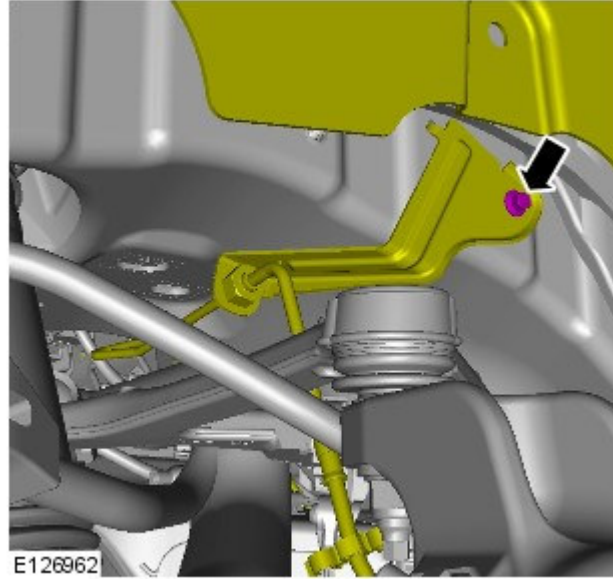
- TORQUE: 7 Nm.



4. **NOTE: Repeat the step for the other side.**

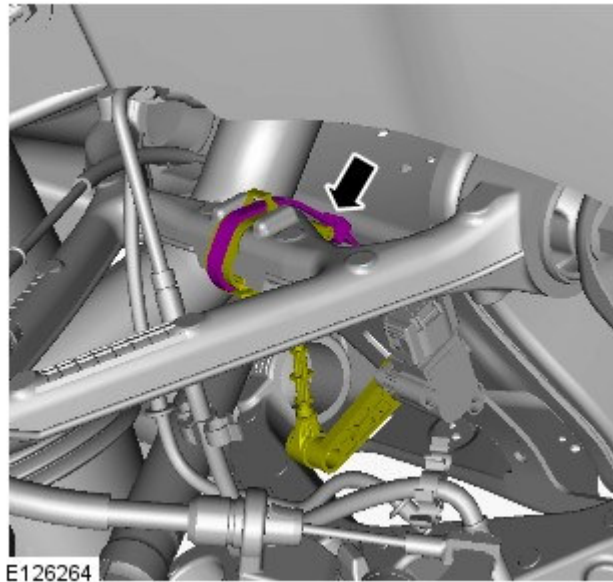
Remove the retaining bolt and position the bracket to one side.

- TORQUE: 10 Nm



5.  **NOTE: Repeat the step for the other side.**

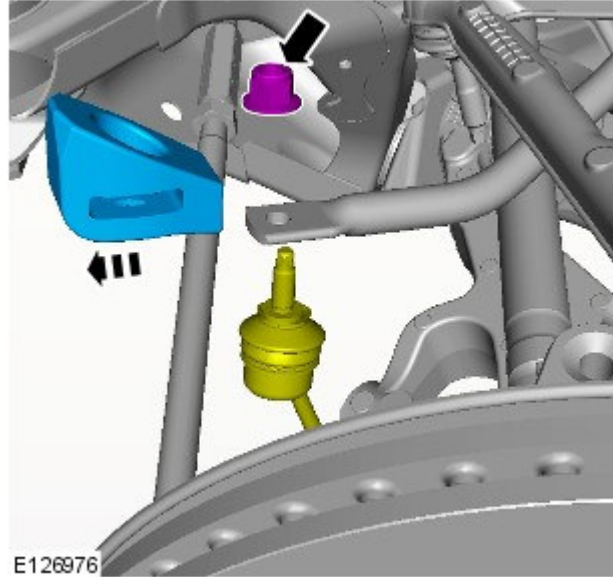
Release the cable tie and remove the height sensor.



6.  **NOTE: Repeat the step for the other side.**

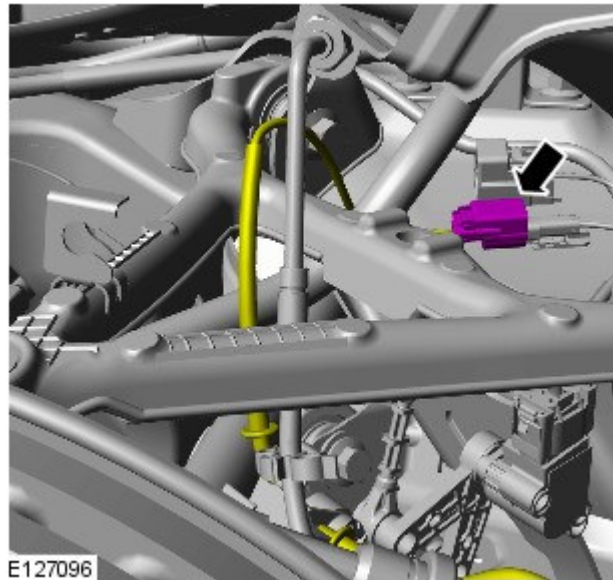
Remove the retaining nut and the deflector.

- TORQUE: 48 Nm



7.  **NOTE: Repeat the step for the other side.**

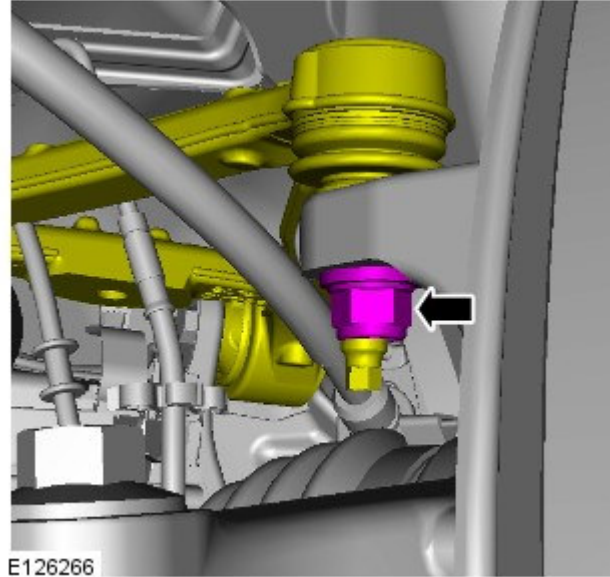
Disconnect the ABS sensor and position the wiring harness to one side.



8.  **NOTE: Repeat the step for the other side.**

Remove the retaining nut.

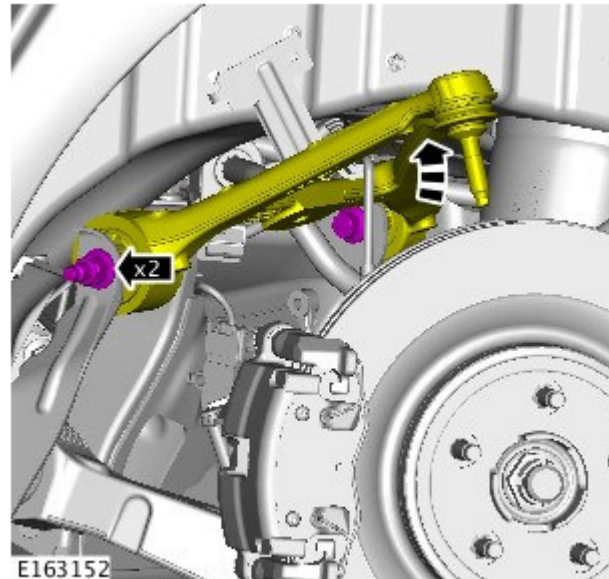
- TORQUE: 96 Nm




9.  **NOTE: Do not remove the retaining nut and bolt.**

Loosen the retaining nut and bolt and rotate the arm upwards.

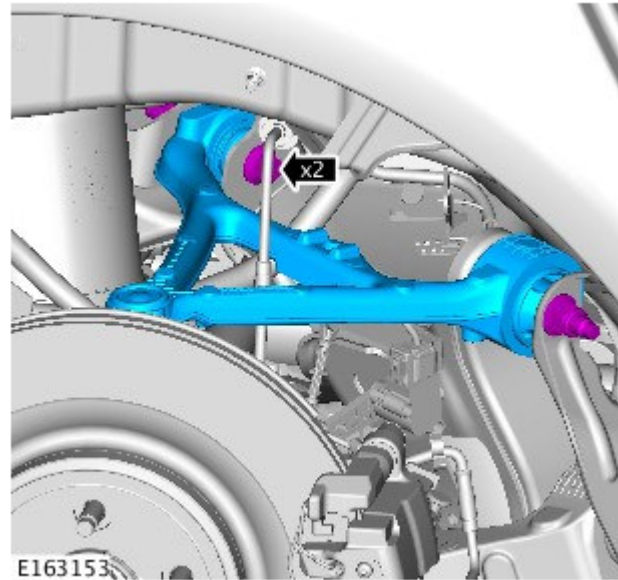
- TORQUE: 115 Nm



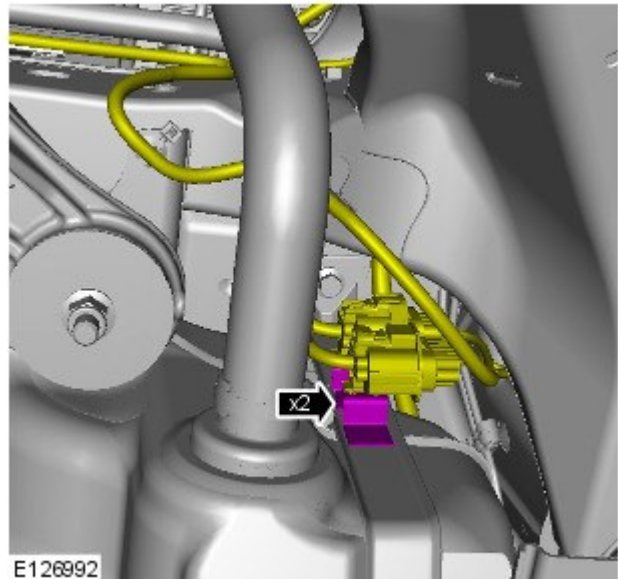
10.  **NOTE: In this step it will not be possible to remove the upper arm completely. Position the upper arm to one side and secure using a suitable tie strap.**


Remove retaining nuts and bolts and position the upper arm to one side.

- TORQUE: 115 Nm



11. Detach the electrical connectors.



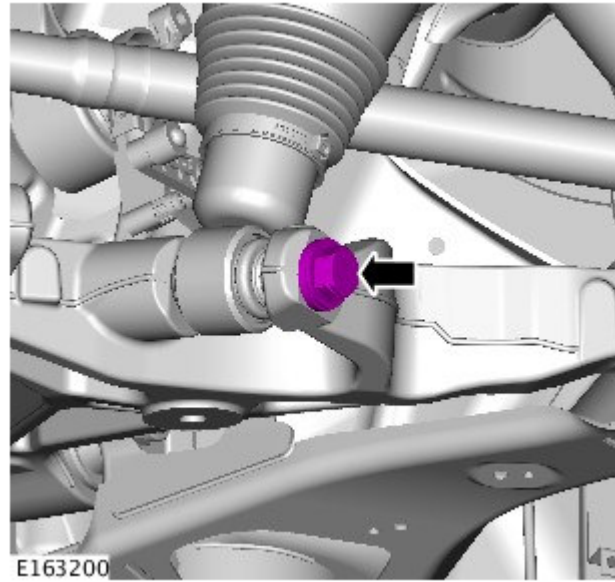
12.  **CAUTION:** When the lower shock absorber bolt is tightened fully the, vehicle must be at normal ride height.

 **CAUTION:** Make sure the lower suspension arm is supported during this step.

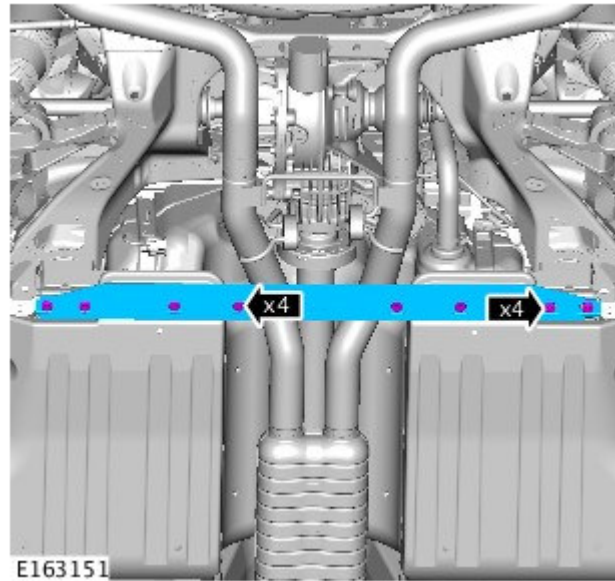
 **NOTE: Repeat this step for the other side.**

Remove the lower shock absorber retaining bolt.

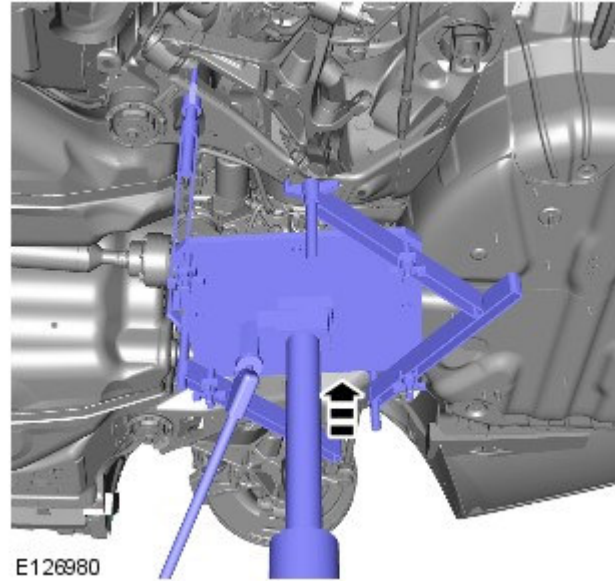
- TORQUE: 133 Nm




13. Remove the brace.



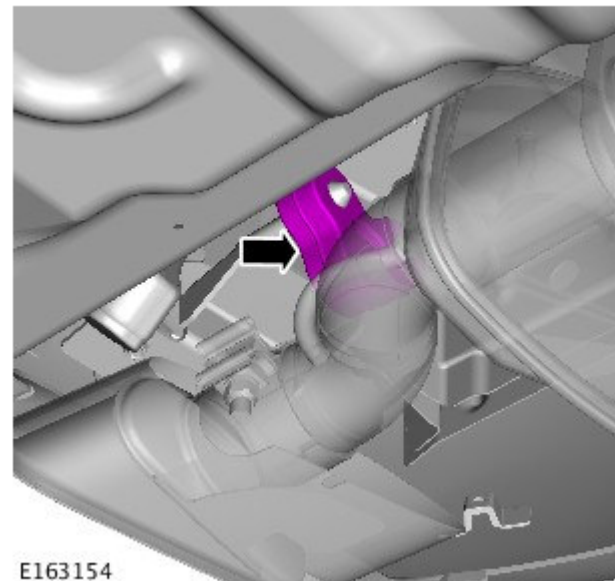
14. Using a suitable jack, support the rear subframe.



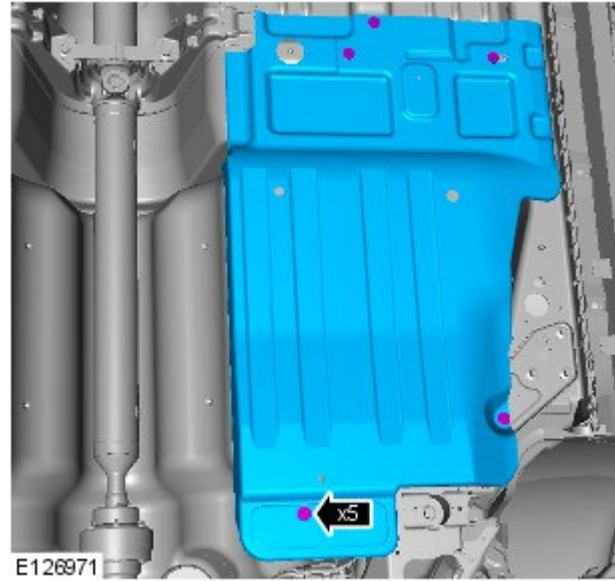
15.  **CAUTION:** Do not allow the full weight of the exhaust to hang on the remaining hanger brackets. Support the exhaust on the transmission jack.

 **NOTE:** Repeat this step for the other side.

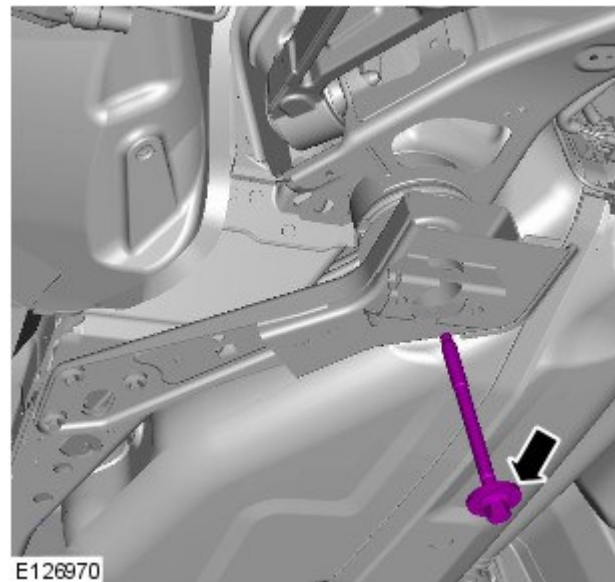
Release the exhaust hanger bracket.



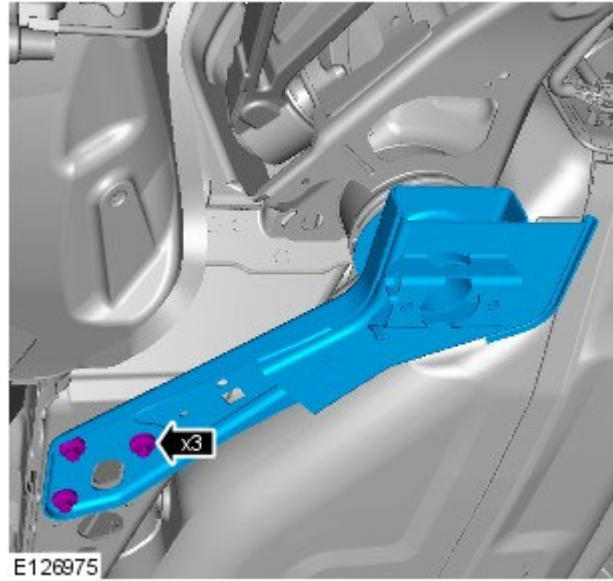
16. Remove the retaining bolts and the shield.



17. Remove the retaining bolt.

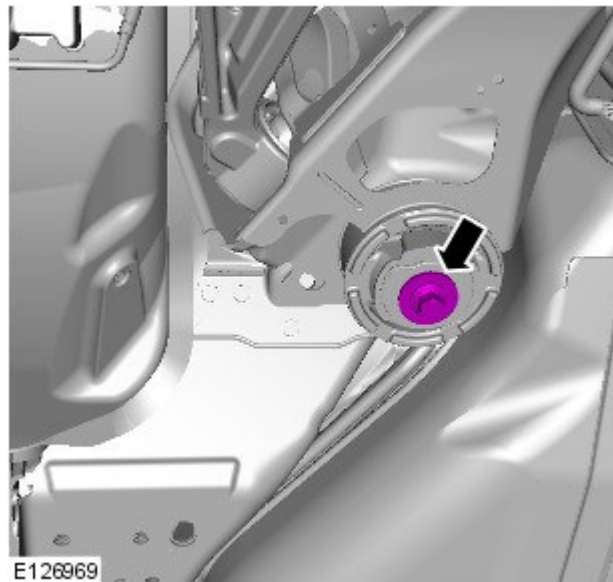


18. Remove the retaining bolts and the bracket.



19.  **NOTE: Do not tighten at this stage.**

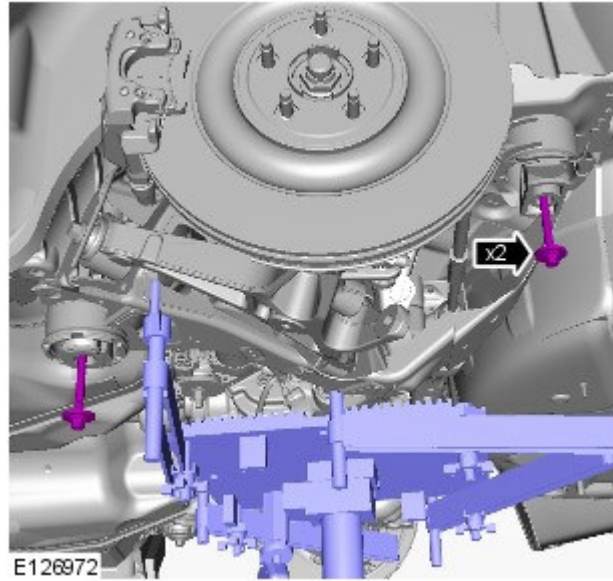
Install the retaining bolt.



20. Repeat Steps 16-19 for the other side.

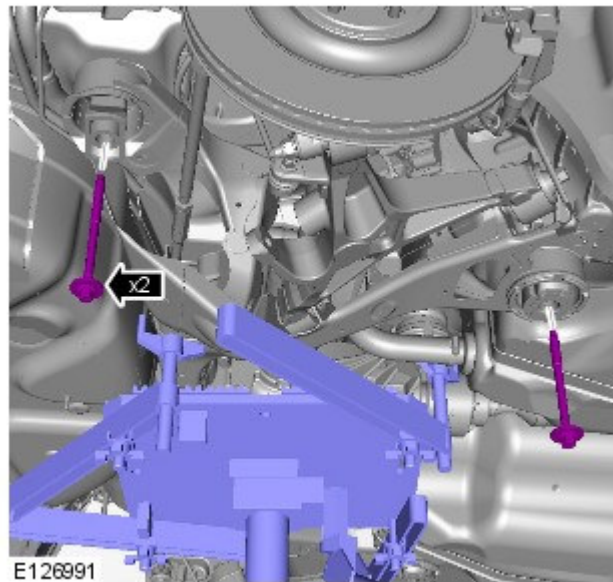
21.  **NOTE: Left-side only.**

Loosen but do not fully remove the retaining bolt.

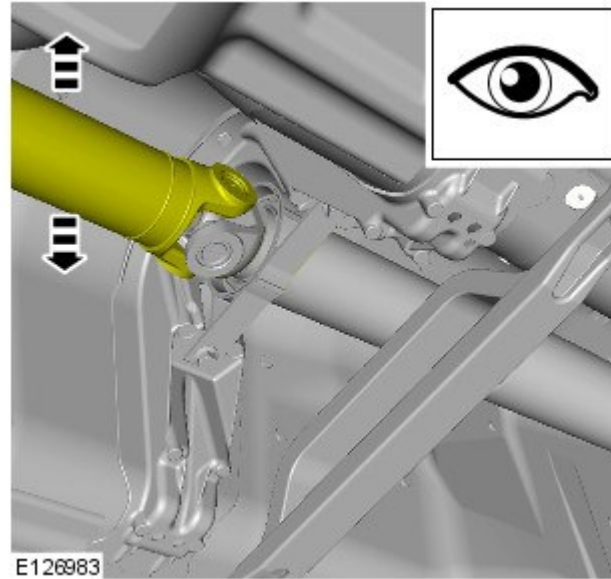



22.  **NOTE: Right-side only.**

Discard the retaining bolts.

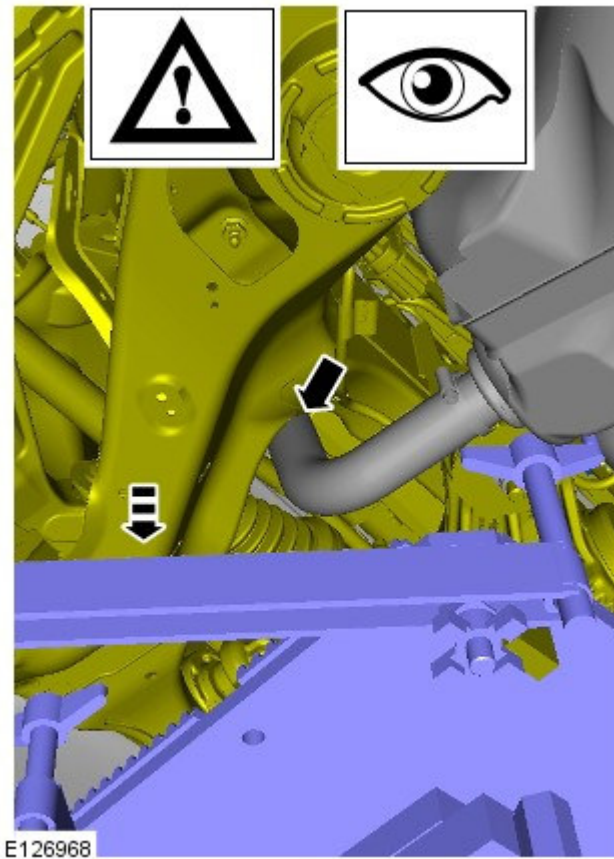


23. Check for correct alignment.



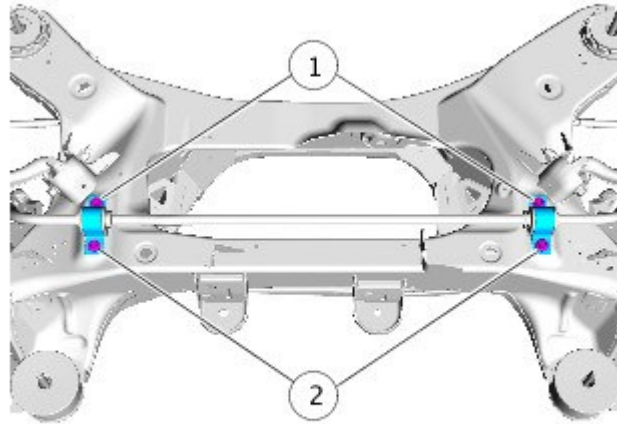
24.  **CAUTION: Make sure that the rear subframe does not come in to contact with the fuel tank filler pipe.**

Lower the rear subframe, making sure there is still clearance between the rear subframe and the fuel tank filler pipe.



25. During installation, tighten the bolts in the following sequence.

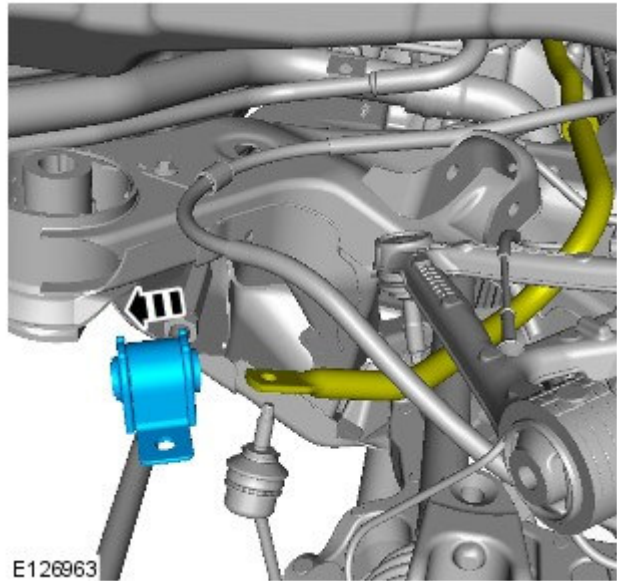
- Bolt 1: 55 Nm.
- Bolts 2: 55 Nm.
- Bolt 1: 55 Nm.



E157003

26.  **NOTE: Repeat for the other side of the vehicle.**

Remove stabilizer mounting bush.

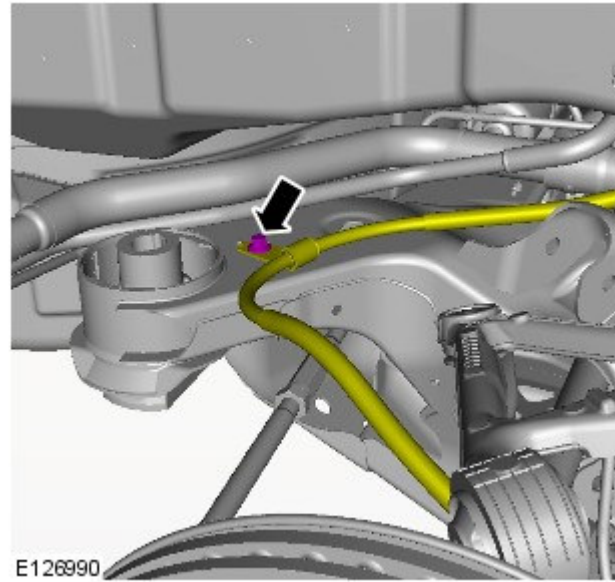


E126963

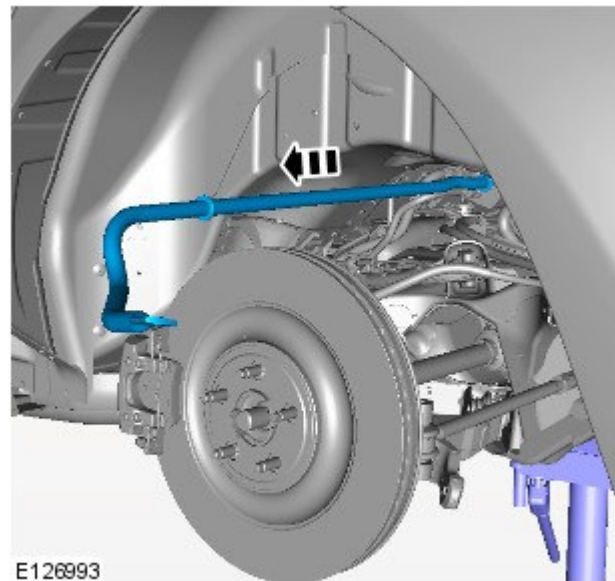
27.  **NOTE: Repeat for the other side of the vehicle.**

Remove retaining bolt.

- TORQUE: 22 Nm

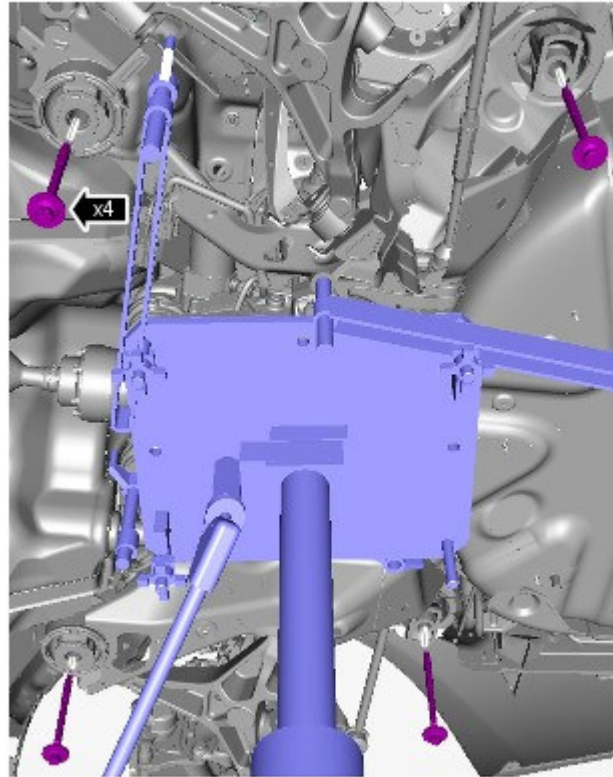


28. Remove rear stabilizer bar.



29.  **CAUTION: New rear subframe retaining bolts must be installed; torque to 80Nm + 240°.**

To install the new rear stabilizer bar, reverse steps 3-28.



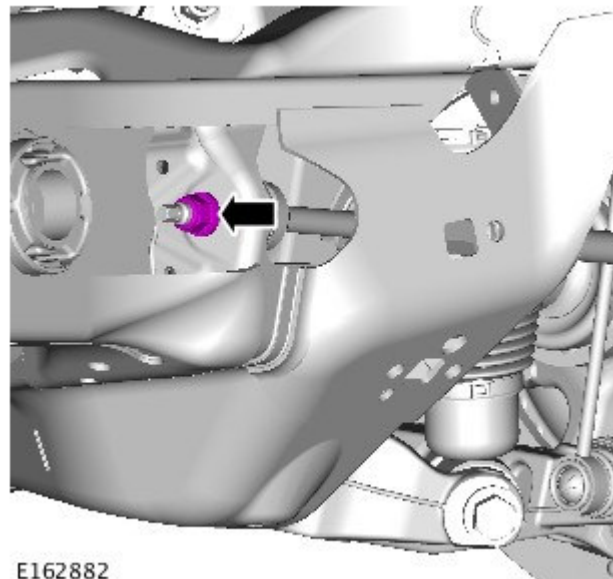
E126985

Step 30: all VINs

30. **NOTE: Repeat this step for the right side.**

Replace the rear suspension left-side toe link nut:

- Remove and discard the rear suspension left-side toe link nut.
- Install a new rear suspension left-side toe link nut; torque to 90Nm.
 - VINs V51872-V63402: continue to next step.
 - VINs V63564-V64807: lower the vehicle.



E162882

Steps 31-32: VINs V51872-V63402 only

31. Install the rear wheels and tires (see TOPIx Workshop Manual, section 204-04).

32. Carry out four-wheel alignment (see TOPIx Workshop Manual, section 204-00).