

**NUMBER:** 23-006-14

**GROUP:** Body

**DATE:** February 22, 2014

*This bulletin is supplied as technical information only and is not an authorization for repair. No part of this publication may be reproduced, stored in a retrieval system, or transmitted, in any form or by any means, electronic, mechanical, photocopying, or otherwise, without written permission of Chrysler Group LLC.*

**THIS SERVICE BULLETIN IS ALSO BEING RELEASED AS RAPID RESPONSE TRANSMITTAL (RRT) 14-017. ALL APPLICABLE SOLD AND UN-SOLD RRT VIN'S HAVE BEEN LOADED. TO VERIFY THAT THIS RRT SERVICE ACTION IS APPLICABLE TO THE VEHICLE, USE VIP OR PERFORM A VIN SEARCH IN TECHCONNECT. ALL REPAIRS ARE REIMBURSABLE WITHIN THE PROVISIONS OF WARRANTY.**

**SUBJECT:**

Left Rear Outer Door Belt Molding Cut Incorrectly At Division Bar

**OVERVIEW:**

This bulletin involves inspecting and if necessary replacing the left rear outer door belt molding.

**MODELS:**

2014 LX 300

**NOTE: This bulletin applies to vehicles built on or after October 17, 2013 (MDH 1017XX) built on or before October 18, 2013 (MDH 1018XX).**

**SYMPTOM/CONDITION:**

Left rear outer door belt molding cut incorrectly at division bar.

**DIAGNOSIS:**

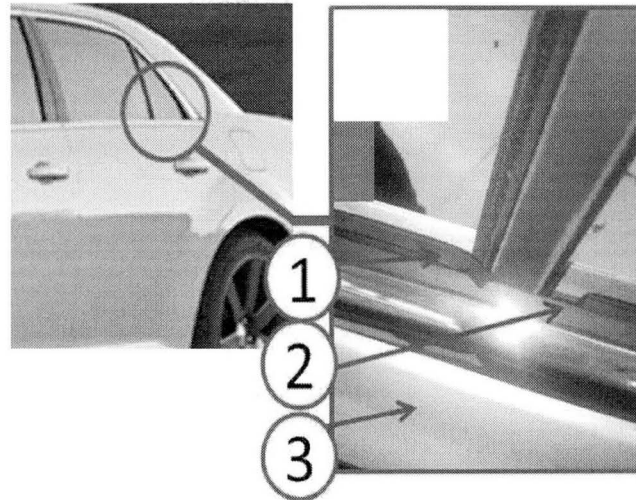
If a customer's VIN is listed in VIP or your RRT VIN list, perform the repair. For all other customers that describe the symptom/condition, perform the Repair Procedure.

**PARTS REQUIRED:**

Qty.	Part No.	Description
1 (AR)	57010329AE	Left, Rear Outer Door Belt Molding

**REPAIR PROCEDURE:**

1. Inspect the left rear outer door belt molding, was the seal cut incorrectly as shown in (Fig.1)?
  - a. Yes>>> Proceed to Step 2.
  - b. No>>> Return the vehicle to the customer or dealer inventory.



**Left Rear Door**

- 1 - Left Outer Door Belt Molding Seal And Cut Area
- 2 - Left Outer Door Belt Molding
- 3 - Left Rear Door

2. Remove and replace the left rear outer door belt molding. Refer to the detailed repair procedures available in: DealerConnect> TechCONNECT under: Service Info> 23 - Body> Door - Rear> Molding, Door Belt, Outer> Removal/Installation.

**POLICY:**

Reimbursable within the provisions of the warranty.

**TIME ALLOWANCE:**

Labor Operation No:	Description	Skill Category	Amount
23-51-16-9A	Inspect Left Rear Outer Door Belt Molding Only (1- Semi-Skilled)	6 - Electrical and Body Systems	0.2 Hrs.
23-51-16-9B	Inspect And Replace Left Rear Outer Door Belt Molding Only (1- Semi-Skilled)	6 - Electrical and Body Systems	0.3 Hrs.

**FAILURE CODE:**

ZZ	Service Action
----	----------------