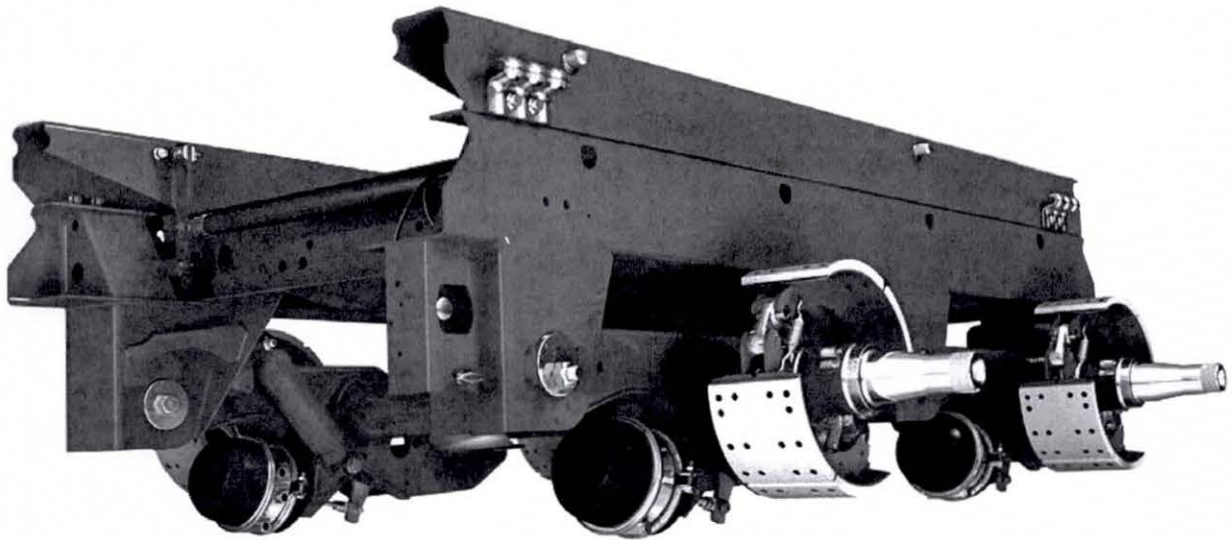


H PARTS LIST

VANTRAAX™ HKARL 46K
RAMP READY

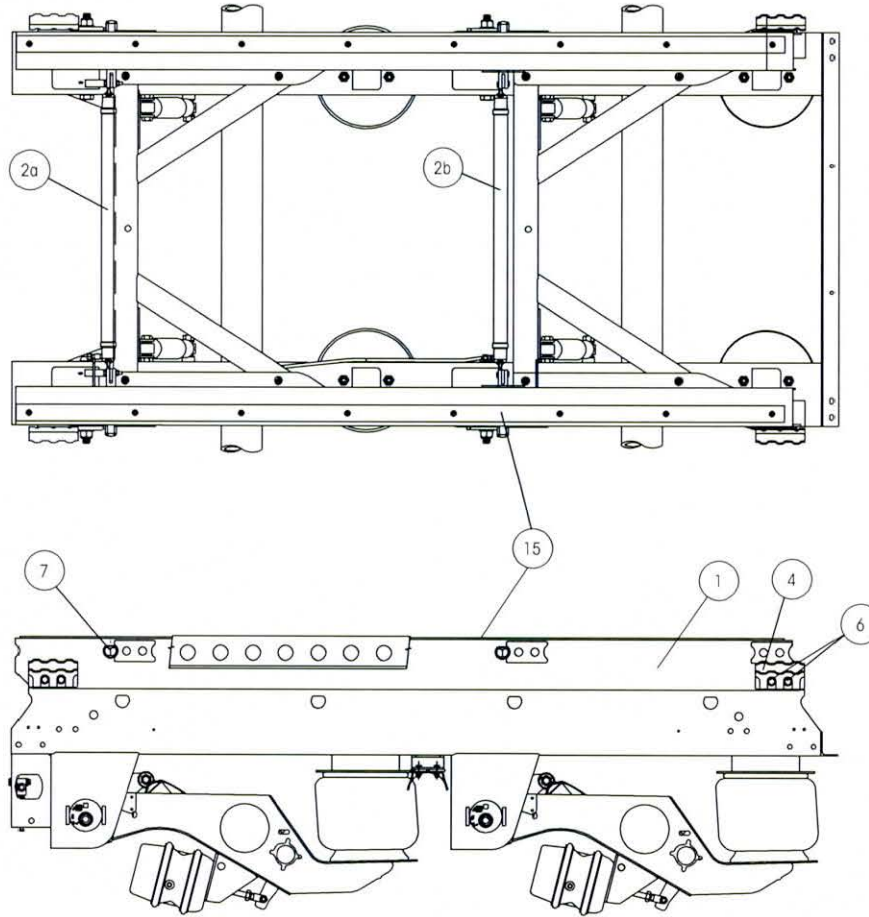
LIT NO: L1078

DATE: September 2014 REVISION: B



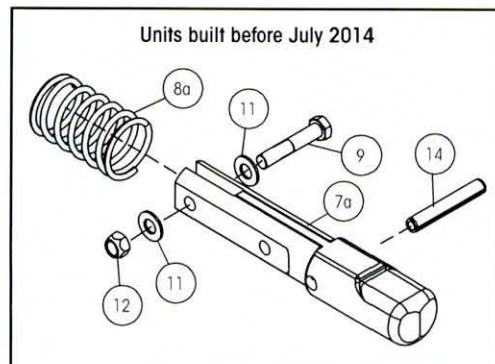
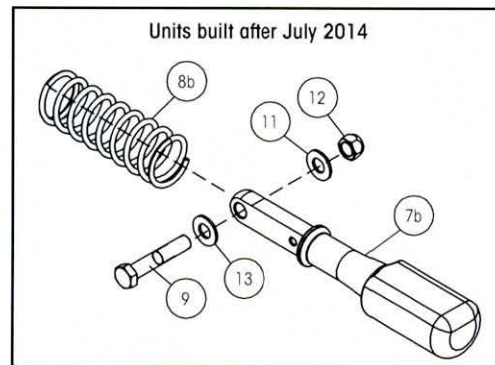
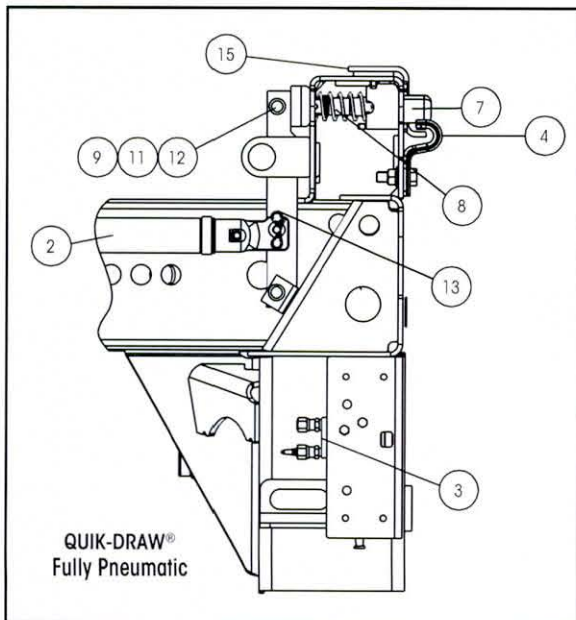


SLIDER BOX ASSEMBLY



SLIDER PINS

PIN-PULL RELEASE MECHANISM

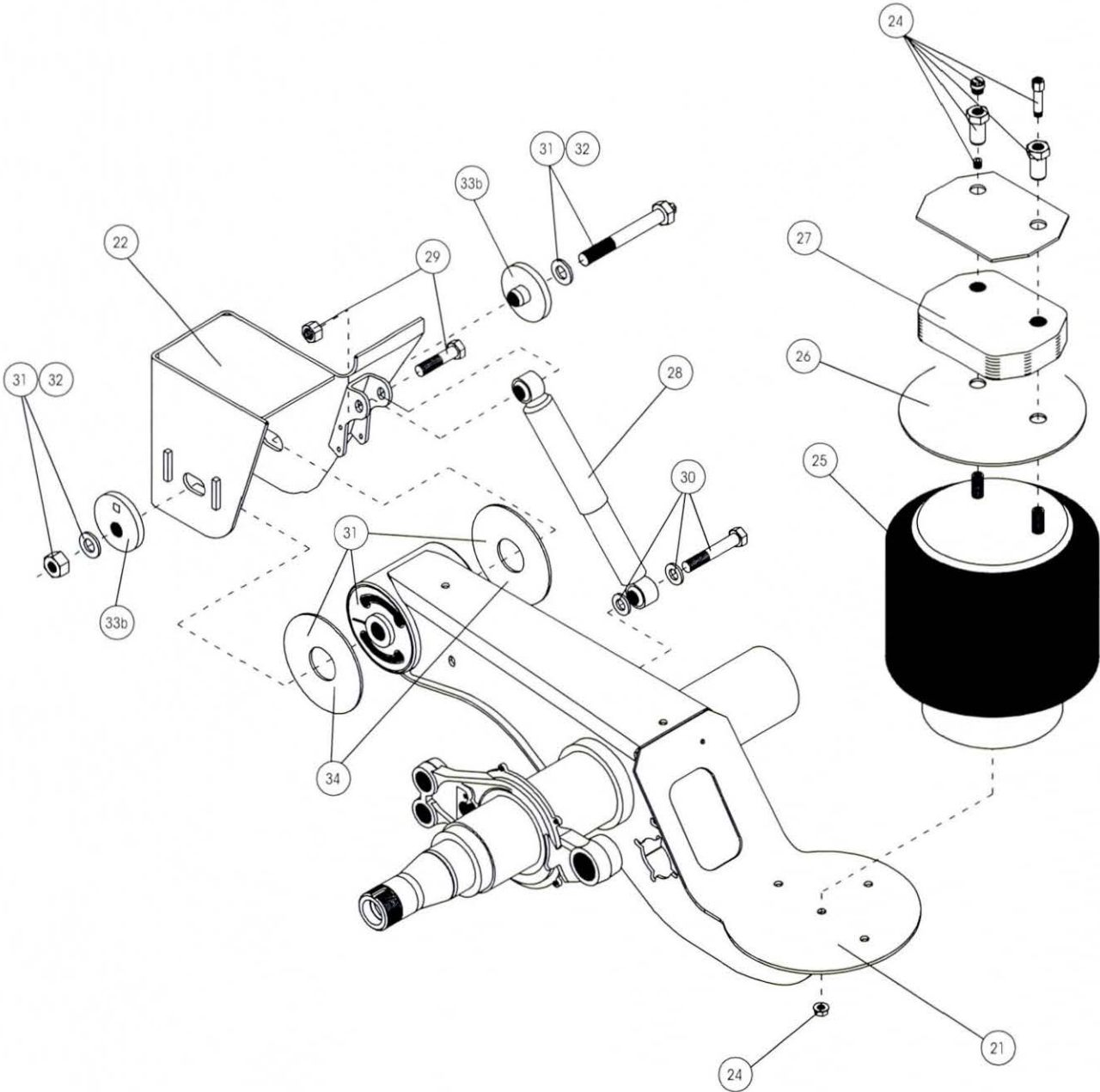




VANTRAX™ HKARL 46K RAMP READY SLIDER PARTS LIST

ITEM	DESCRIPTION	PART NO.	SYSTEM QTY.	NOTE
1	AFTERMARKET SLIDER BOX REPLACEMENT	AMBOX.###	1	Contact Hendrickson for assistance
2	QUIK-DRAW® PNEUMATIC PIN-PULL MECHANISM			
	2a Front linear actuator	S-28061-2	1	
	2b Rear linear actuator	S-28062-2	1	
3	3-WAY AUTO RESET VALVE ASSEMBLY	VS-25224	1	Includes valve and fittings
	3-Way auto reset valve	VS-25223	1	Includes valve only
4	BODY RAIL CLIP			
		S-24460	4	Use with 1.375" locking pin with 6" hole centers
		S-24459	4	Use with 1.625" locking pin with 4" hole centers
		S-24459	4	Use with 1.375" locking pin with 4" hole centers (TTMA)
5	BODY RAIL CLIP SPACER (not shown)	A-22367	4	
6	BODY RAIL CLIP BOLTS	SA-6900-2	8	½" - 13 flanged screw
7a	LOCKING PIN (Units built before July 2014)			
	1.375" diameter pin	S-28290	4	4" (TTMA) and 6" body rail hole spacing
	1.625" diameter pin	S-28289	4	4" body rail hole spacing
7b	LOCKING PIN (Units built after July 2014)			
	1.375" diameter pin	S-32389	4	4" (TTMA) and 6" body rail hole spacing
	1.625" diameter pin	S-32388	4	4" body rail hole spacing
8a	LOCKING PIN SPRING (Units built before July 2014)			
	48" box with manual, QUIK-DRAW or mechanical air assist	B-28930	4	4.51" spring
8b	LOCKING PIN SPRING (Units built after July 2014)			
	48" box with manual, QUIK-DRAW or mechanical air assist	B-32500	4	4.51" spring
9	LOCKING PIN BOLT	SA-1100-8	4	3/8" x 2"
10	LOCKING PIN LINK			
	48" box	B-34760	4	
11	LOCKING PIN WASHER	SA-1500-2	16	3/8" I.D. flat washer
12	LOCKING PIN NUT	SA-9000-5	4	
13	LOCKING COTTER PIN	A-29557	4	
14	SPRING PIN	SA-8100-4	4	3/8" x 2-1/2" roll pin
15	SLIDER WEAR PAD KIT	S-14342-3	2	Includes (1) slider wear pad and screws
16	CRANK ARM (not shown)	B-24267	1	
17	CRANK (not shown)	B-24266	2	
18	PIPE WELDMENT (not shown)	S-21433-1	1	
19	ARM ACTUATOR (not shown)	B-24437	1	
20	LINK WELDMENT (not shown)	B-24413	1	

Note: Identification can be found on the roadside slider box rail above the front frame bracket there will also be a blank VANTRAX tag on the inside of the curbside beam.





VANTRAAX™ HKARL 46K RAMP READY SLIDER PARTS LIST

ITEM	DESCRIPTION	PART NO.	SYSTEM QTY.	NOTE
21	AXLE BEAM WELDMENT	HTRAAX.###	2	Contact Hendrickson for assistance
22	FRAME BRACKETS			
	9" and 10" ride height			
	Roadside	D-26067-1L	2	
	Curbside	D-26067-1R	2	
	11" and 12" ride height			
	Roadside	D-26067-2L	2	
	Curbside	D-26067-2R		
23	ABS WELD-ON BRACKET (not shown)	S-27117	4	
24	AIR SPRING MOUNTING KIT	S-22631/2	4	A-22490-5 also required for 9" RH
25	AIR SPRING		4	
	9", 10" and 11" ride height	S-23613	4	
	12" ride height	S-23614	4	
26	AIR SPRING MOUNTING PLATE	S-23294	4	
27	AIR SPRING SPACER	B-22510-2	4	Not required for 9" RH
28	SHOCK ABSORBER			
	Drum Brakes	S-23566	4	
	Air Disk Brakes (not shown)	S-25436	4	
29	SHOCK BOLT KIT	S-24757/2	4	Includes (2) hardened washers, (1) shear type bolt, (1) shock spacer and hardware
30	SHOCK STRAP KIT (not shown)	C-23086-1	4	Includes (2) straps, clevis and ties
31	TRI-FUNCTIONAL® PIVOT BUSHING KIT ¹	S-24691	4	Includes (1) bushings, (1) pivot bolt kits (2) bushing tube spacers and lubricant pack
32	QUIK-ALIGN® PIVOT BOLT KIT	S-24679	4	Contains 7" bolt, nut and hardened washers
33	ALIGNMENT COLLAR			
	33a Concentric (inner)	S-20924	4	Pivot bolt hole is centered
	33b Eccentric (outer)	S-20925	4	Pivot bolt hole is offset from center
34	BUSHING TUBE SPACER	S-21099	8	Inner metal outer diameter dimension of TRI-FUNCTIONAL Bushing is 2.2"; inner hole dimension of BTS is 2.38"

1. Bushing tool S-21307 is required to correctly re-bush the suspension.

Note: Identification can be found on the roadside slider box rail above the front frame bracket there will also be a blank VANTRAAX tag on the inside of the curbside beam.

Call your trailer dealer or Hendrickson at **330.489.0045** or **866.RIDEAIR (743.3247)** for additional information.



www.hendrickson-intl.com

TRAILER COMMERCIAL VEHICLE SYSTEMS

2070 Industrial Place SE
Canton, OH 44707-2641 USA
866.RIDEAIR (743.3247)
330.489.0045 • Fax 800.696.4416

Hendrickson Canada

250 Chrysler Drive, Unit #3
Brampton, ON Canada L6S 6B6
800.668.5360
905.789.1030 • Fax 905.789.1033

Hendrickson Mexicana

Circuito El Marqués Sur #29
Parque Industrial El Marqués
Pob. El Colorado, Municipio El Marqués,
Querétaro, México C.P. 76246
+52 (442) 296.3600 • Fax +52 (442) 296.3601