

Front Wheel Opening Extension Pad Installation During PDS

Service Category General

Section Pre-Delivery Service

Market USA



Applicability

YEAR(S)	MODEL(S)	ADDITIONAL INFORMATION
2015	GS350, GS450H	

Introduction

The front wheel opening extension pad set (right and left front wheel opening extension pads, 8 self-tapping screws) is placed in the luggage compartment at the assembly plant to avoid damage in transit. Install the front wheel opening extension pads on the vehicle.

Warranty Information

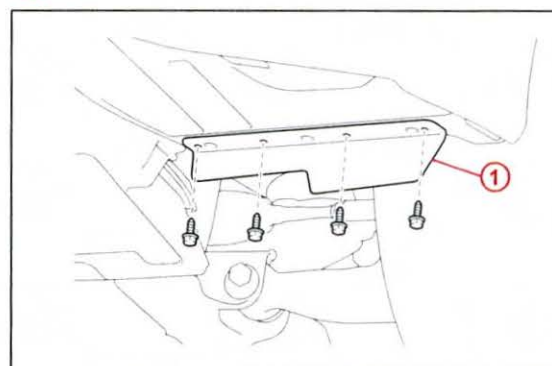
OP CODE	DESCRIPTION	TIME	OFF	T1	T2
N/A	Not Applicable to Warranty	-	-	-	-

Installation Procedure

1. Install the left front wheel opening extension pad with 4 of the supplied self-tapping screws.

NOTE
There is a distinguishable mark on each pad.

Figure 1.



1	Front Wheel Opening Extension Pad
----------	-----------------------------------

2. Install the right front wheel opening extension pad in the same manner as the left.