

Tony Lawrence

From: Tony Lawrence
Sent: Wednesday, July 16, 2014 2:00 PM
To: All Dirs All Rgns - PT; All Dirs All Rgns - SR
Subject: MAZDA DEALER NOTICE - SERVICE BULLETIN RELEASE

SERVICE BULLETIN RELEASE - 07/16/2014

2014 INDEX: http://www.mstore2000.com/PDF_Files/index07-16-14.pdf

The following Service Bulletin has just been issued.

- For latest MS3 postings, click here: <https://portal.mazdausa.com/m173/service/esi/MazdaServiceShop>

- For printable PDF files from MStore, click on the link below each TSB title:

* If the links do not automatically take you directly to the document, cut and paste the link into your internet browser address window and press enter.

NEW BULLETINS

03-003/14 – MULTI-MODEL - GROAN NOISE FROM FRONT WHEEL HUB

http://www.mstore2000.com/PDF_Files/03-003-14-2941.pdf

09-033/14 - 2013-2015 CX-5 - SEAT WARMER MALFUNCTION

http://www.mstore2000.com/PDF_Files/09-033-14-2944.pdf

- Please distribute this information to all parts and service personnel.
- If you no longer wish to receive Mazda service bulletins, please contact the IT Administrator at your dealership and ask them to remove your email address from under the EMDCS application.

© 2014 Mazda Motor of America, Inc.

Subject: GROAN NOISE FROM FRONT WHEEL HUB	Bulletin No: 03-003/14
	Last Issued: 07/16/2014

APPLICABLE MODEL(S)/VINS

2014 Mazda6 vehicles with VINs lower than JM1 GJ ***** 190589 (produced before June 01, 2014)
2013-2014 CX-5

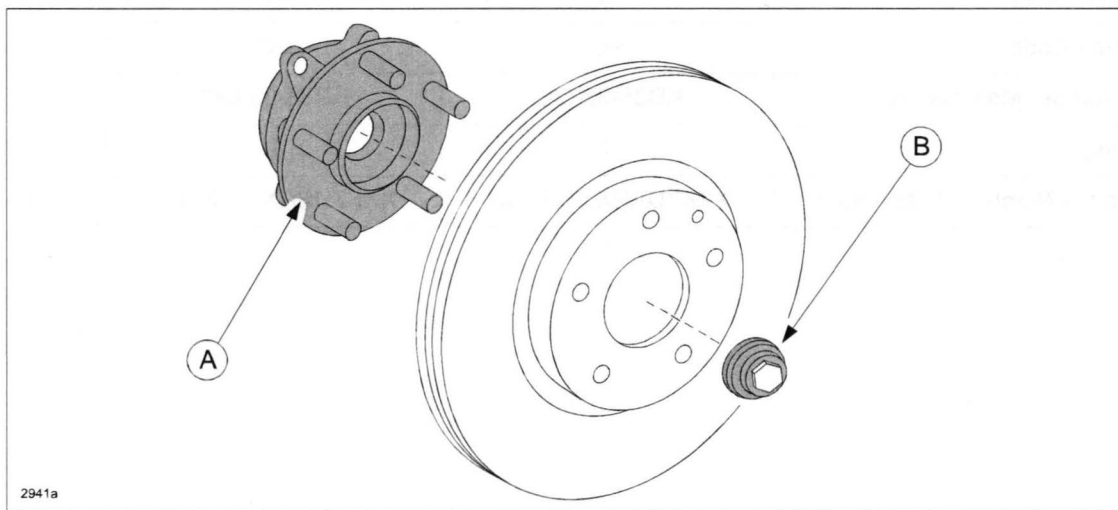
DESCRIPTION

Some vehicles may exhibit a groan type noise from the front wheel hub bearing while driving at high speed or when cornering. This may be caused by front wheel hub bearing corrosion.

Customers having this concern should have their vehicle repaired using the following repair procedure.

REPAIR PROCEDURE

1. Verify customer concern.
2. Replace the affected front wheel hub (A) and locknut (B). Refer to MS3 online or Workshop Manual (section 03-12) removal/installation instructions for the front wheel hub and the locknut only.
 - CX-5 - WHEEL HUB COMPONENT REMOVAL/INSTALLATION [AWD]
 - Mazda6 - WHEEL HUB, STEERING KNUCKLE REMOVAL/INSTALLATION



3. Verify repair.

Bulletin No: 03-003/14
© 2014 Mazda Motor of America, Inc.

Last Issued: 07/16/2014

PART(S) INFORMATION

Part Number	Description	Qty.	Notes
KD35-33-042	Locknut	1 or 2	Only replace the affected side.
KD35-33-04XC	Wheel Hub	1 or 2	Replace both locknut and wheel hub as a set.

WARRANTY INFORMATION

NOTE:

- This warranty information applies only to verified customer complaints on vehicles eligible for warranty repair.
- This repair will be covered under Mazda's Power Train Limited Warranty term.
- Additional diagnostic time cannot be claimed for this repair.
- Only replace the affected side.
- Claim wheel hub(s) as related part(s). Repairs without wheel hub replacement are not warrantable.

	One side	Both sides
Warranty Type	A	A
Symptom Code	82	82
Damage Code	9G	9G
Part Number Main Cause	KD35-33-042	KD35-33-042
Quantity	1	2
Operation Number / Labor Hours:	XXK7UARX / 0.7 Hrs.	XXK7UBRX / 1.2 Hrs.