



GROUP  
CHA

MODEL  
2013MY  
Sportage (SL) GDI  
Excl. Turbo GDI

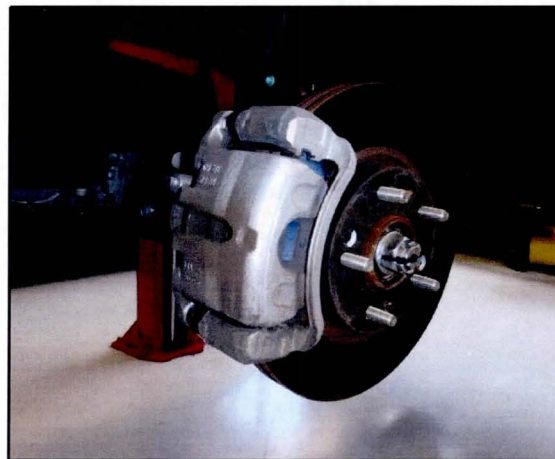
NUMBER  
045

DATE  
September 2014

## TECHNICAL SERVICE BULLETIN

**SUBJECT:** GROANING NOISE FROM BRAKE SYSTEM (SA169)

This bulletin provides information related to the replacement of the front brake pads on some 2013MY Sportage (SL) vehicles, produced from November 1, 2012 through December 8, 2012, which may exhibit a loud groaning noise coming from the front brake pads. Kia is requesting the completion of this Service Action on all affected vehicles. Before conducting the procedure, verify the vehicle is included in the list of affected VINs.



### ★ NOTICE

A Service Action is a repair program without customer notification that is performed during the warranty period. Any dealer requesting to perform this repair outside the warranty period will require DPSM approval.

Repair status for a VIN is provided on WebDCS (Service> Warranty Coverage> Warranty Coverage Inquiry> Campaign Information). Not completed Recall / Service Action reports are available on WebDCS (Consumer Affairs> Not Completed Recall> Recall VIN> Select Report), which includes a list of affected vehicles.

This issue number is SA169.

File Under: Chassis

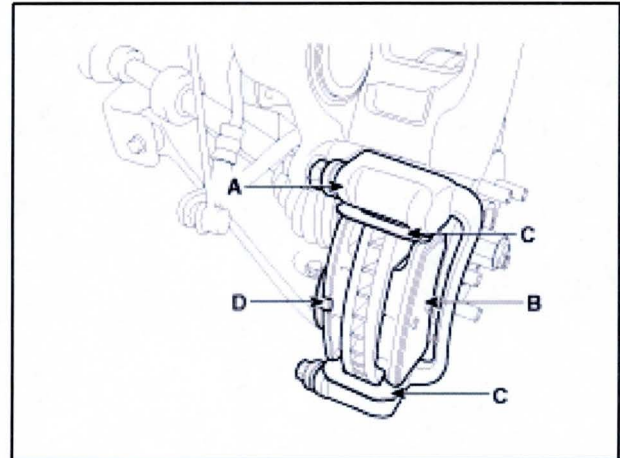
Circulate To:  General Manager  Service Manager  Parts Manager  
 Service Advisors  Technicians  Body Shop Manager  Fleet Repair

**SUBJECT:**

**GROANING NOISE FROM BRAKE SYSTEM (SA169)**

**Service Procedure:**

1. Replace the front brake pads per the applicable procedure on KGIS.
2. Test drive the vehicle to confirm proper operation.



**REQUIRED PARTS:**

Part Name	Part Number	QTY.	Comments
Front Brake Pad	58101 2SA51QQK	1	Parts are supplied as a kit.

**AFFECTED VEHICLE RANGE:**

Model	Production Date Range
13MY Sportage (SL) (Excl. T-GDI)	From Nov. 1, 2012 through Dec. 8, 2012

**WARRANTY INFORMATION:**

Claim Type	Causal P/N	Qty.	N Code	C Code	Repair Description	Labor Op Code	Op Time	Replacement P/N	Qty.
V	58101 2SA50	0	N99	C99	(SA169) Brake Pad Replace (FRT-LH/RH)	140027R0	0.5 M/H	58101- 2SA51QQK	1

**\* NOTICE**

**VIN inquiry data for this repair is provided for tracking purposes only. Kia retailers should reference SA169 when accessing the WebDCS system.**