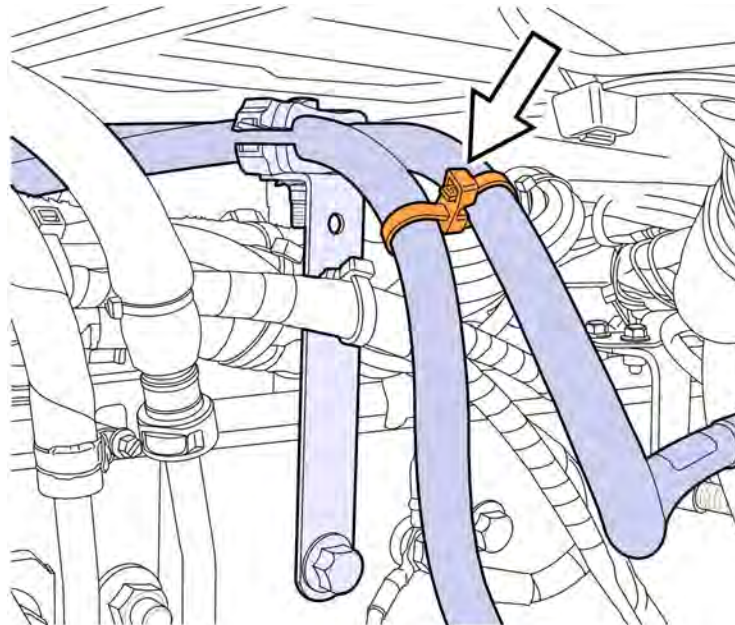


Battery Cable, Routing
 VN, VHD, VAH

FSB 371-049 Battery Cable, Routing

(October 2014)

On certain VOLVO VN, VHD, and VAH trucks built between 01/01/2008 and 06/29/2014, the battery cables could cross each other behind the battery box and battery cut off switch. Chafing between the battery cables could eventually cause a rub through of the cable protective coating. The installation of a double headed cable tie (part number 21087716) and new cable routing will prevent chafing of the battery cables.



W3092939

Required Parts (Battery Cable, Routing)

| Item | Description | Part Number | Qty |
|------|-------------------------|-------------|-----|
| 1 | Double Headed Cable Tie | 21087716 | 2 |

Service personnel: Please circulate, read and initial

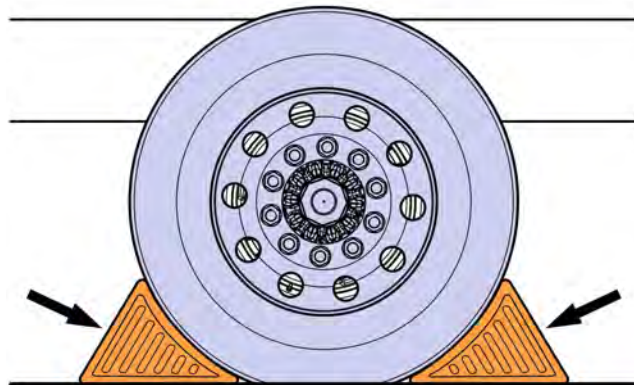
| Service Manager | Warranty Administrator | Workshop Foreman | Service Technicians | | | | | |
|-----------------|------------------------|------------------|---------------------|--|--|--|--|--|
| | | | | | | | | |

Decommissioning the Truck for Repair

You must read and understand the precautions and guidelines in Service Information, group 30, "General Safety Practices, Electrical" before performing this procedure. If you are not properly trained and certified in this procedure, ask your supervisor for training before you perform it.

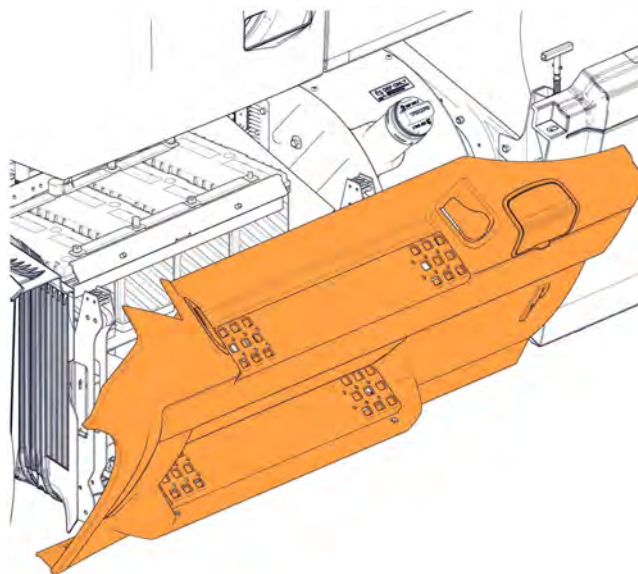
NOTE: Information is subject to change without notice. Illustrations are used for reference only and can differ slightly from the actual vehicle being serviced. However, key components addressed in this information are represented as accurately as possible.

- 1 Park the vehicle on a flat and level surface.
- 2 Apply the parking brake.
- 3 Place the transmission in neutral or park.
- 4 Install the wheel chocks.



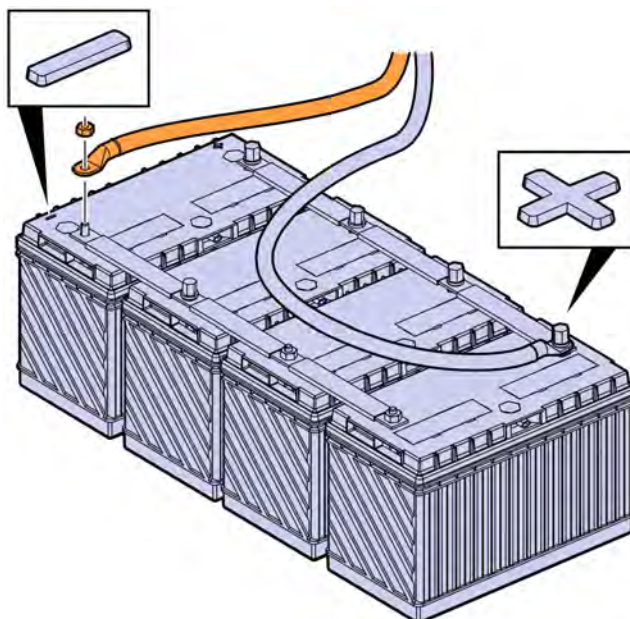
W7086748

5 If applicable, remove the side fairing.



W8072657

6 Disconnect the cable from the battery's negative terminal.



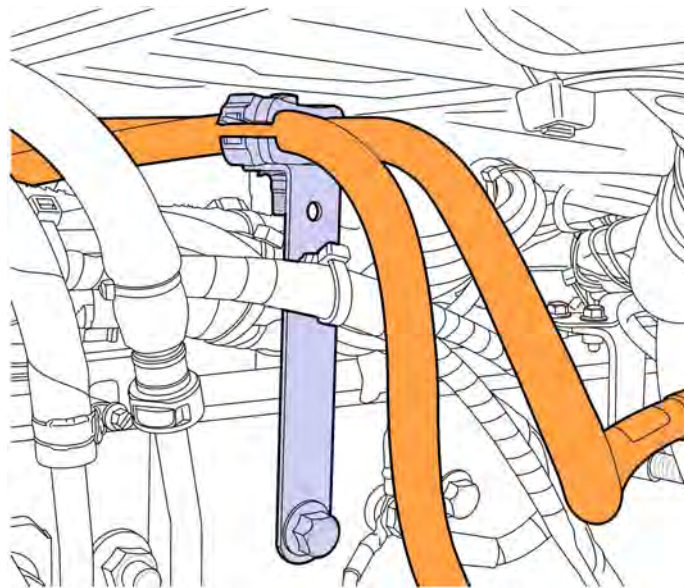
W3086747

Battery Cable, Routing

- 1 Locate the positive and negative battery cables above the frame rail and behind the disconnect switch.

Note: Check the battery cables protective coating for heavy chaffing, cuts, excessive wear, exposed and oxidized copper wires. If any these conditions are present, replace cables as required.

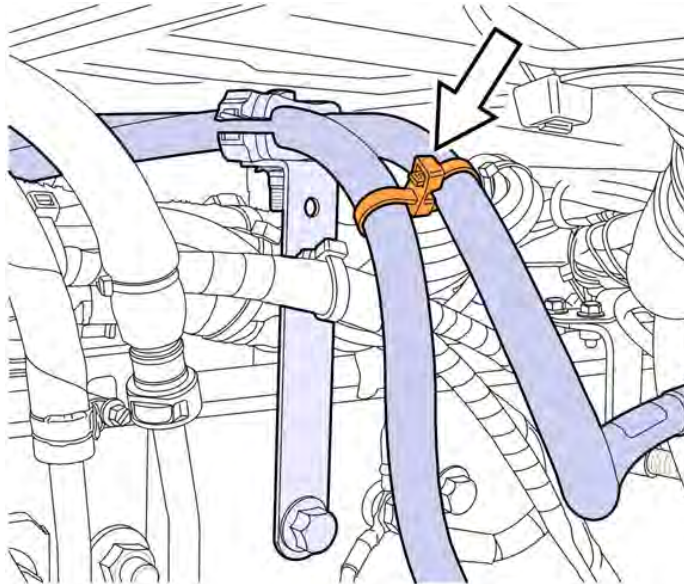
Note: If the conditions listed above are not present, a double headed cable tie is still required to prevent battery cable chafing. Go to step 2.



W3092940

- 2 Install a double headed cable tie in the area as shown in the figure below.

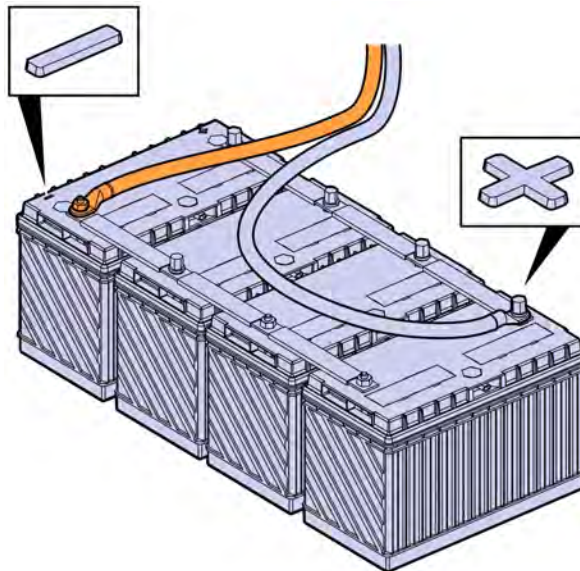
Note: In some cases, a second double headed cable tie may be required to ensure separation of the positive and negative battery cables.



W3092939

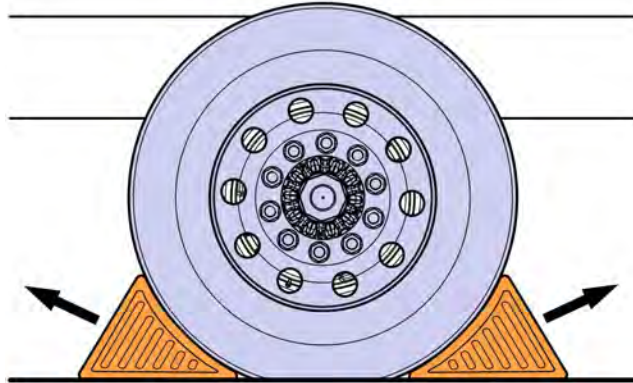
Commissioning the Truck for Operation

- 1 Connect the battery cable to the negative (ground) terminal.



W3086758

- 2 If applicable, install the side fairing.
- 3 Remove the wheel chocks.



W7086759

Reimbursement

| | | |
|--|---------------------------|--------------------------------|
| This repair may be eligible for reimbursement if a product failure was experienced within time and mileage limits of the applicable Warranty coverage. Reimbursement is obtained via the normal claim handling process. | UCHP Reimbursement | eWarranty Reimbursement |
| Claim Type (used only when uploading from the Dealer Bus. Sys.) | W | W |
| Labor Code | | |
| Primary Labor Code (Battery Cable, Routing) | 3714-16-09-04 0.3 hrs. | 37127-0-01 0.3 hrs. |
| Causal Part | 21352082 | 21352082 |

VOLVO Trucks North America reserves the right to make any changes in design or to make additions to or upon its products without incurring any obligations to install the same on vehicles previously built.