



Technical Bulletin

NISSAN NORTH AMERICA, INC.
Copyright ©

SERVICE BULLETIN

Classification: EC14-005	Reference: NTB14-103	Date: November 4, 2014
------------------------------------	--------------------------------	----------------------------------

2013-2014 FRONTIER; FUEL TANK HARD TO FILL

APPLIED VEHICLE: 2013 – 2014 Frontier (D40)
Shortbed Crew Cab vehicles **only**

IF YOU CONFIRM

The fuel tank is slow or difficult to fill.

ACTION

Replace the vent tube that connects the charcoal canister to the fuel tank with the one from the Parts Information table.

NOTE: When working on or near the fuel system and its related components, please observe the General Precautions in the Electronic Service Manual (ESM) section, **FL – Fuel System**.

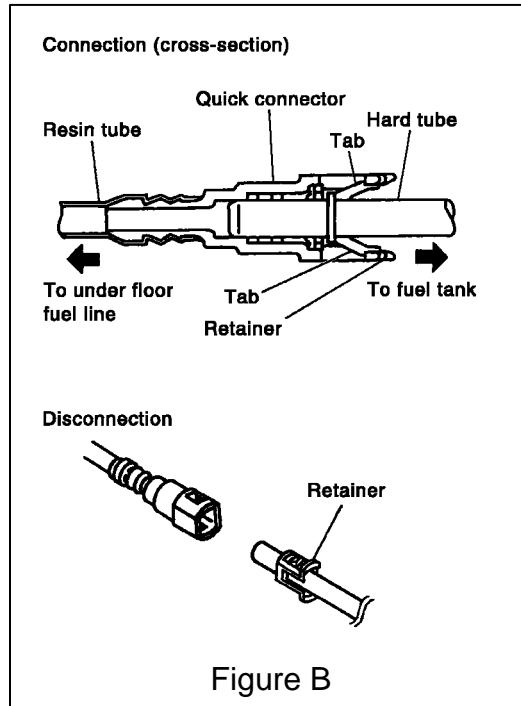
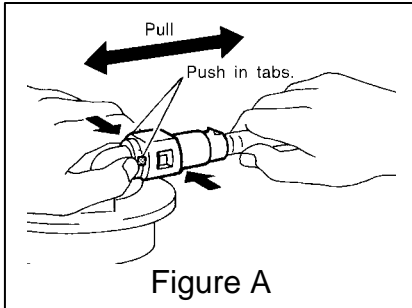
Nissan Bulletins are intended for use by qualified technicians, not 'do-it-yourselfers'. Qualified technicians are properly trained individuals who have the equipment, tools, safety instruction, and know-how to do a job properly and safely. NOTE: If you believe that a described condition may apply to a particular vehicle, DO NOT assume that it does. See your Nissan dealer to determine if this applies to your vehicle.

SERVICE PROCEDURE

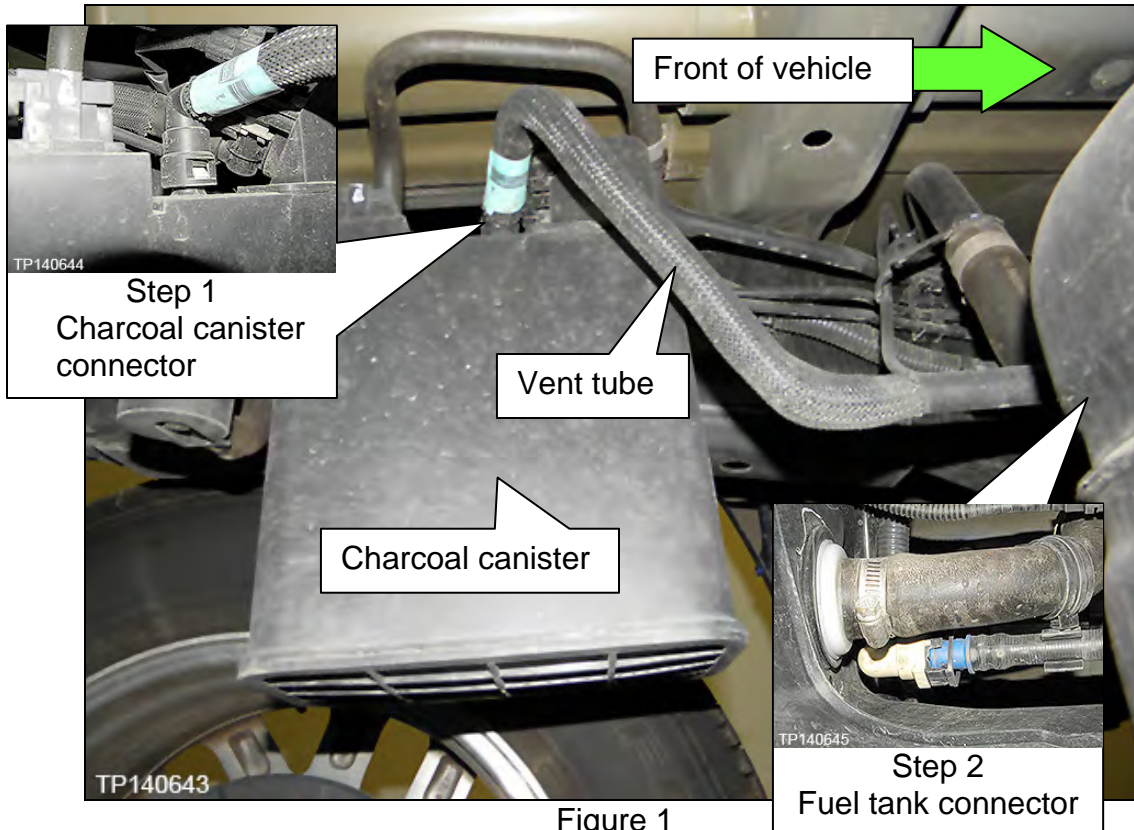
Replace the charcoal canister to fuel tank vent hose with the one from Parts Information table.

1. Disconnect vent hose at canister.

NOTE: See Figure A and Figure B for detail of "Quick connector" retainer release.



2. Disconnect vent hose from fuel tank.
3. Install new vent hose.



PARTS INFORMATION

DESCRIPTION	PART #	QUANTITY
Tube Vent	17226-9BK0A	1

CLAIMS INFORMATION

Submit a Primary Part (PP) type line claim using the following claims coding:

OPERATION	OP CODE	PFP	SYM	DIAG	FRT
Replace Tube Vent	FC14AA	17226-9BK0A	ZE	32	(1)

(1) Reference the current Nissan Warranty Flat Rate Manual and use the indicated flat rate time.

