



SB-10056458-2345

File in Section: -

Bulletin No.: PIC6026

Date: September, 2014

Service Bulletin

PRELIMINARY INFORMATION

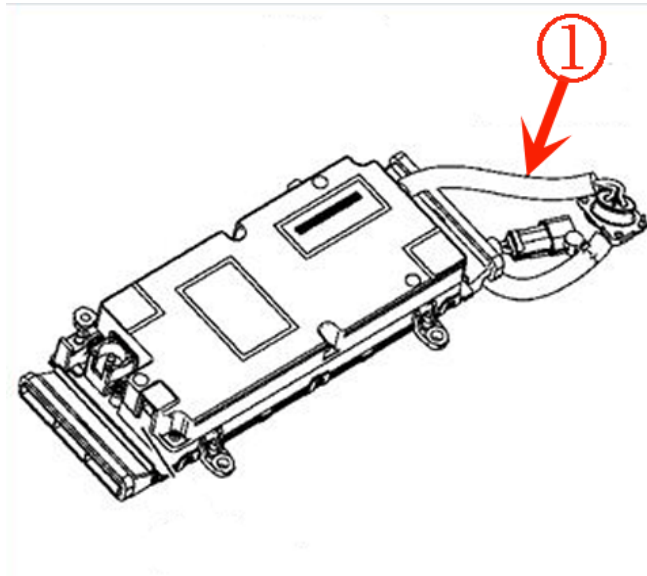
Subject: Unable To Connect High Voltage Cable To Replacement Accessory DC Power Control Module (APM)

Models: 2011-2013 Chevrolet Volt

The following diagnosis might be helpful if the vehicle exhibits the symptom(s) described in this PI.

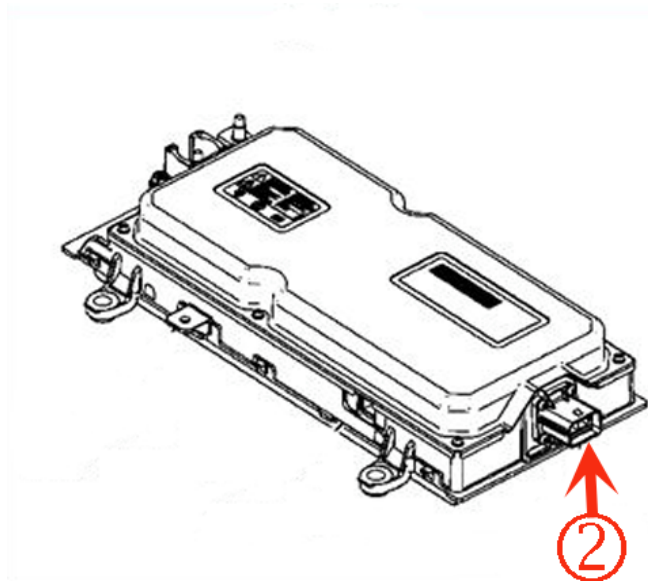
Condition/Concern

Certain 2011-2013 Chevrolet Volts were equipped with a first design APM which has a 24 inch orange pigtail attached to the module and there is no high voltage connection right at the module itself (See Photo Below)



3256768

When replacing the APM with a new service part APM, you will notice that the new part has no pigtail and the high voltage connection is right at the module itself (See Photo Below)



3256773

Recommendation/Instructions

If your vehicle has a first design module and you are replacing the APM , an additional jumper harness (GM Part Number 24268507) will need to be installed. An instruction sheet will be provided with the jumper harness kit on how to install the new design module. If the jumper harness instructions were not included with the new part, please contact the Technical Assistance Center for a copy of the instruction sheet.

Parts Information

| Model year | Part Number | Description | Qty |
|----------------------|-------------|---|-----|
| 2011-2013 Chevy Volt | 24268507 | Pigtail Jumper Harness (needed with first design APM) | 1 |

excel sheet

Warranty Information

For wiring repairs covered under warranty, please refer to latest version of bulletin 10-00-89-005 for warranty information on wire/connector repairs.

Please follow this diagnostic or repair process thoroughly and complete each step. If the condition exhibited is resolved without completing every step, the remaining steps do not need to be performed.