



SB-10056309-7510

BULLETIN NUMBER:
IB14-N-002

ISSUE DATE:
JULY 2014

GROUP:
ELECTRICAL

**IMPORTANT SERVICE
INFORMATION FOR:**

- ✓ SERVICE MANAGER
- ✓ SERVICE ADVISOR
- ✓ TECHNICIAN
- ✓ PARTS DEPARTMENT
- ✓ WARRANTY PERSONNEL

TRANSMISSION NO-SHIFT CONDITION WITH NO REVERSE LIGHTS, GROUNDED TAILLIGHT WIRING HARNESS AND OPEN F-18 FUSE

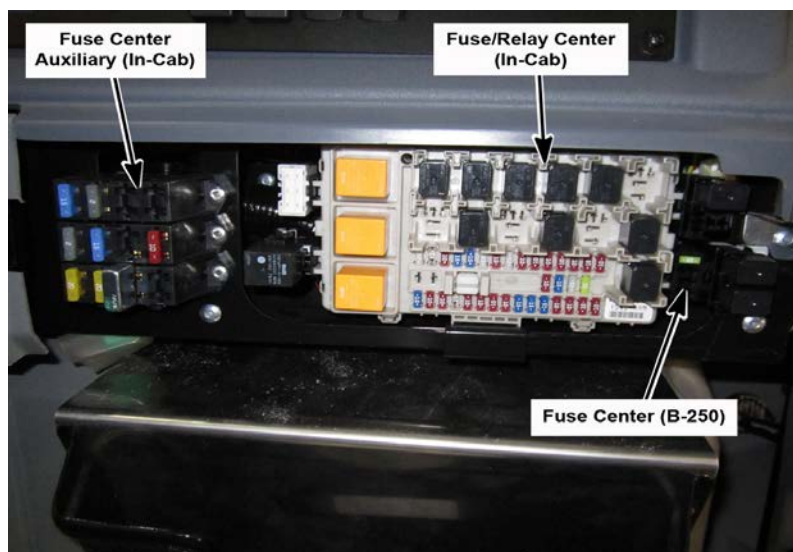
AFFECTED VEHICLES

- 2012MY NPR Stripped Chassis (Reach Van)
Equipped with Incandescent Reverse Lighting

INFORMATION

Some customers may experience a flashing check transmission light and an illuminated malfunction indicator light (MIL). Technician diagnosis may find engine control module (ECM) DTC P0700 and transmission control module (TCM) DTCs P0707 and/or P0848 may have set, resulting in a no-shift condition.

Technicians are recommended to inspect the F-18 fuse of the in-cab fuse relay center for an open condition. If the F-18 fuse is open, refer to Utilimaster bulletin 03103361-B014EN for a possible cause and correction. If the F-18 fuse is not blown or the Utilimaster bulletin did not apply, refer to the appropriate service manual for additional diagnostic procedures.



WARRANTY INFORMATION

Any diagnosis and repairs related to Utilimaster bulletin 03103361-B014EN is not warrantable from Isuzu. Contact Utilimaster directly for parts and warranty for review.

Email: warranty@utilimaster.com
Phone: 1-574-848-2000
Fax: 1-574-848-2809
Mail: Attn: Warranty Dept.
UTLIMASTER CORP.
603 Earthway Blvd.
Bristol, IN 46507-9182, USA



Reach UPS Taillight Covers Service Bulletin

Situation: The wire harnesses connected to the back-up light can become unplugged when caked with ice or snow.

Corrective Action Summary: Install back-up light covers.

Range of Units Affected: 2012 P63D (Reach) bodies on Isuzu chassis.
Car range 676397–676546.

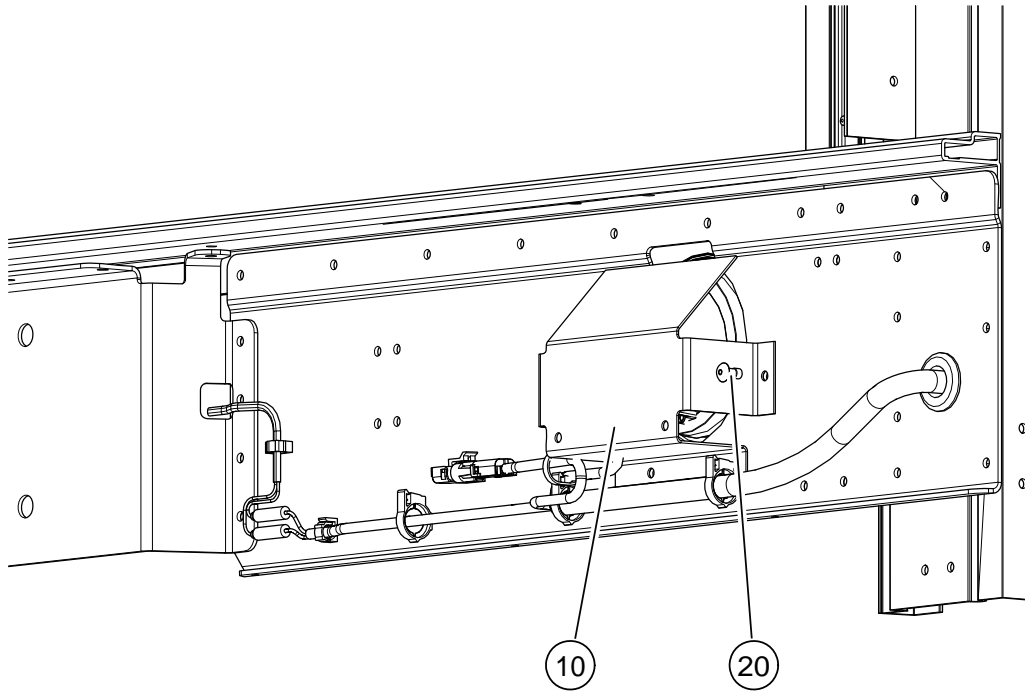
Parts Required: 23003529SK Reach Taillight Light Covers Kit

Part Number	Description	Qty.
06938572	TAILLIGHT COVER	(2)
11400025	MAG-L PRO 1/4 AL	(8)
16605698	STRAP WIRE TIE BLACK 8.5"	(2)
03103361-B014EN	Taillight Covers Install Instructions	(1)

Tools and Supplies Required:

- Avdel[®] N-Series hydro-pneumatic or manual riveter
- Drill with an F-bit (or 1/4" bit) with a drill stop may be required

NOTE: Although not required, the slightly larger F-bit bit is recommended instead of the 1/4" bit for more clearance when inserting the fasteners.



BOM ID	Part Number	Description	Qty
0	REFERENCE	64430029a TAILLIGHT COVER INSTALL	1
10	06938572	TAILLIGHT COVER	2
20	11400025	MAG-L PRO 1/4 AL	8

! CAUTION

Always wear safety glasses and other proper protective equipment (gloves, hearing protection, etc.) as appropriate to the process.



Reach UPS Taillight Covers Service Bulletin

Procedure:

1. Read and understand all the instructions before starting the repair.

NOTICE

If any of the holes do NOT line up enough to insert the rivet, use an F-bit with a drill stop set at NO more than 1/2" deep and drill a new hole in the kickplate at least 1/2" offset from the original hole location to avoid overlapping holes.

2. From under the rear structure, align the (4) holes in taillight cover with the (4) mating holes in rear kickplate.
3. Secure the cover to the kickplate with blind rivets.
4. Secure the wire harness to the light cover with a wire tie at the inboard (license plate) side.

How to Order Parts: Contact UPS Material Distribution Center (MDC).

NOTE: In order to be reimbursed for labor, the repair MUST be completed, warranty claim filed, and defective parts returned within 1 year from the date of this publication.

Further Technical Information and Assistance

If you need additional assistance in diagnosing a problem or making the correct repairs, contact Utilimaster directly by:

Email: Warranty@Utilimaster.com

Phone: 574-848-2000

Mail or Express Service:

Fax: 574-848-2809

Utilimaster Corp.

Attn: Warranty Dept.

603 Earthway Blvd.

Bristol, IN 46507-9182, USA

Labor Allowance: Up to .5 hour

Job Op Code: 13-H7-08-EI

Document Part Number: 03103361-B014EN

Revision: A

This material is confidential and the property of Utilimaster. No part of this document may be photocopied, reproduced, or translated to another language without the prior written consent of Utilimaster. Utilimaster is a registered trademark of Utilimaster Corporation. Utilimaster attempts to provide information that is accurate, complete, and useful. All information contained in this document is based on the latest product information available at the time of publication. However, because of the Utilimaster policy of continual product improvement, Utilimaster reserves the right to amend the information in this document at any time without prior notice.