



# Technical Journal

TITLE:

**Scraping noise, Front wheel hub conflict with brake disk, BCM-C003307  
C003007**

<b>REF NO:</b> TJ 25329	<b>ISSUING DEPARTMENT:</b> Technical Service	<b>CAR MARKET:</b> United States and Canada		
<b>PARTNER:</b> 3 US 7510 Volvo Cars North America		<b>ISSUE DATE:</b>		
<b>FUNC GROUP:</b> 7731	<b>FUNC DESC:</b> Hub, front	<b>YEAR</b> 2014	<b>MONTH</b> 08	<b>DAY</b> 06
<b>Page 1 of 7</b>				

“Right first time in Time”

## Attachment

File Name	File Size
TJ 25329 -1.jpg	0.2913 MB
TJ 25329 -2.jpg	0.4158 MB
TJ 25329 -3.jpg	0.0625 MB
TJ Attachment 25329.pdf	0.1698 MB

## Vehicle Type

Type	Eng	Eng Desc	Sales	Body	Gear	Steer	Model Year	Plant	Chassis range	Struc Week Range
1XX							2007-9999		0000001-9999999	200605-999952

## CSC Customer Symptom Codes

Code	Description
6F	Brake disc/Worn
CP	Warning lights and chimes/Anti-lock Brake System (ABS) indication/no indication
DY	Warning lights and chimes/Antispin/antiskid (DSA, ESC/DSTC, STC, TRACS) indication/no indication
B6	Brakes/Unusual noise/Front
X1	Suspension/Unusual noise
1M	Wheels, tires, hubs/Unusual noise/Front



## DTC Diagnostic Trouble Codes

Control Module	Code	Fault Type
BCM	C003007	Permanent
BCM	C003307	Permanent
BCM	C003007	Intermittent
BCM	C003307	Intermittent

Rows beginning with \* are modified

Note! If using a printed copy of this Technical Journal, first check for the latest online version.

### Text

ABS = Anit-lock Brake System

BCM = Brake Control Module

### DESCRIPTION:

The front wheel hub may become displaced in the steering knuckle (picture #1).

This condition may create one or two of the following symptoms:

- ABS warning message in DIM, with DTC BCM-C003307 or BCM-C003007.
- Grinding noise, when the front brake disk is rubbing against the brake caliper bracket, with scratch marks on the brake disk (picture #2).

Analysis indicates that the wheel hub may be displaced in the steering knuckle if the vehicle is driven aggressively.

### PRODUCT MODIFICATION:

Analysis ongoing.

### MATERIAL RETURN:

Only if requested in the Vehicle Report.

### VEHICLE REPORT:

As part of our analysis, please send a THD Vehicle Report using Concern Area *Vehicle Report/THD* and Sub Concern Area *Support Not Needed*. Use Function Group 7731.

Please include the date code that is engraved in the bearing flange (see picture #3), and if possible also attach a photo of the date code.

Also include the estimated distance that the wheel hub has been displaced (in mm); if possible attach a photo showing the displaced hub in the steering knuckle.

**SERVICE:**

Check if the wheel hub is displaced in the steering knuckle, (refer to picture #1)

If confirmed, replace the wheel hub according to VIDA.

**Important!** Before pressing the new parts together, clean mating surfaces thoroughly on both knuckle and hub using Volvo cleaner in order to remove remaining traces of lubricants from the manufacturing process (See TJ Attachment 25329).

Note: If missing, install a splash shield on the drive shaft according to TJ 24791.

Parts:

Front wheel hub service kit, PN 31360096 (includes hub, sems screw, splash shield)

Brake disk (if having scratch marks), Check VIDA Parts catalogue

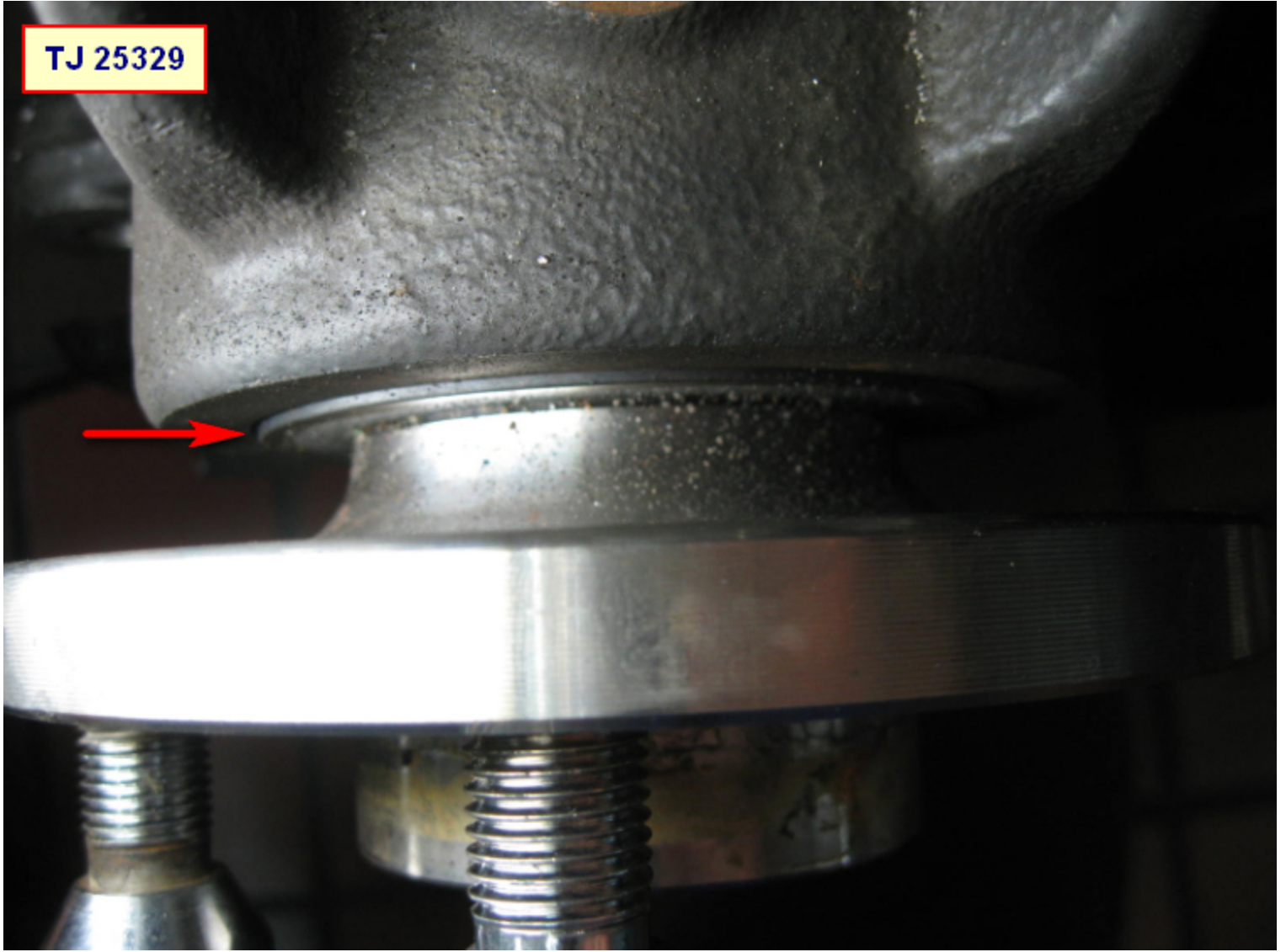
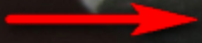
Volvo Cleaner, PN 1161721 (max 0.1 liter / 3 fl.oz = 10% of package)

**Volvo Standard Times Guide (VSTG) OPERATION NUMBER:**

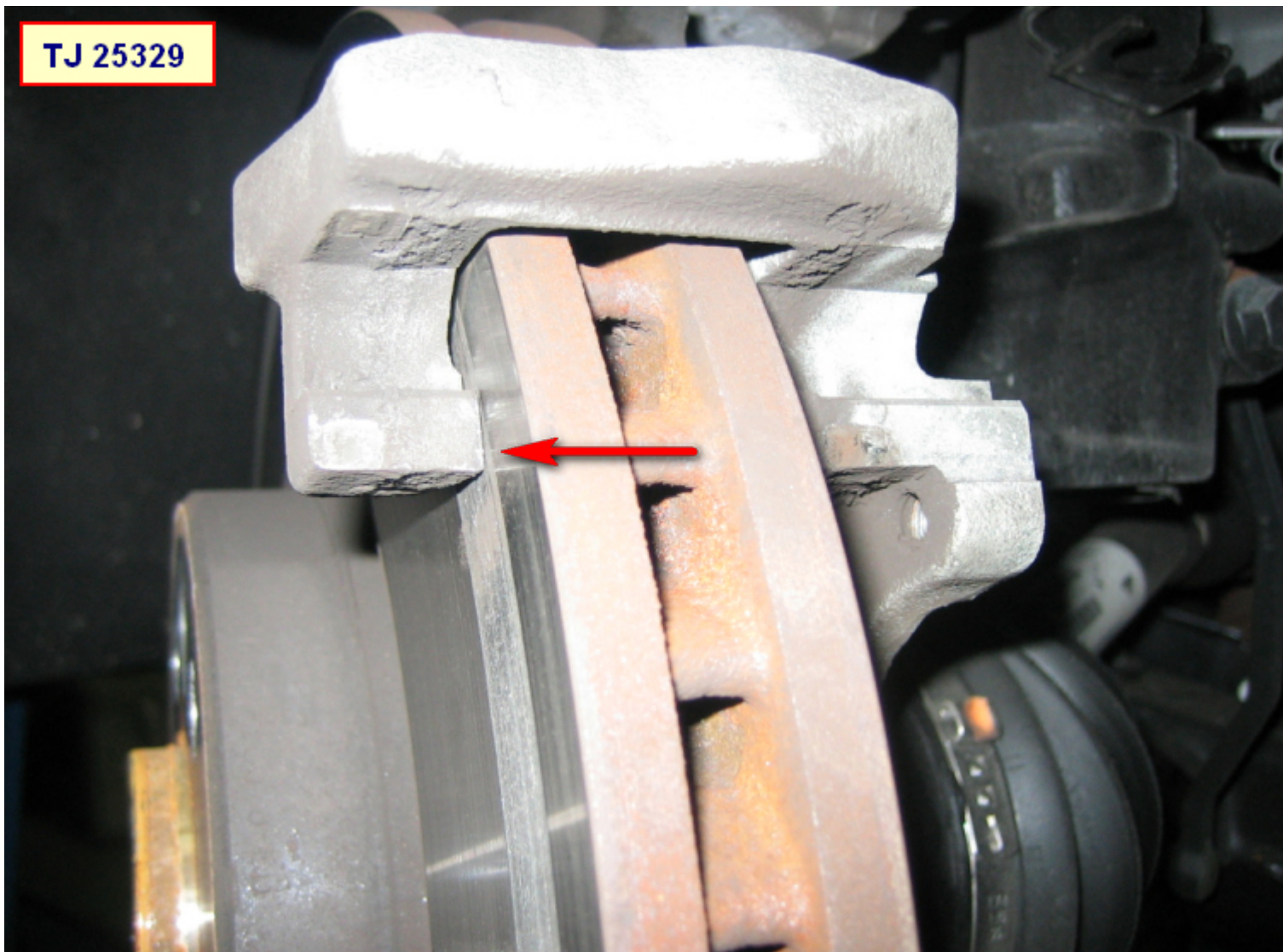
98364-2	Front wheel hub/brake disc replace, flinger install 1 side acc. to TJ25329	<i>1.4hrs</i>
98394-3	Cleaning 1 side acc. to TJ 10438/25329 (1JV)	<i>0.1hrs</i>
36001-2	DTC read/erase (2JV)	<i>See VSTG</i>
51115-3	Brake disk front x1 replace	<i>See VST</i>

**To view TJ attachment continue to next page. This TJ has 4 attachments.**

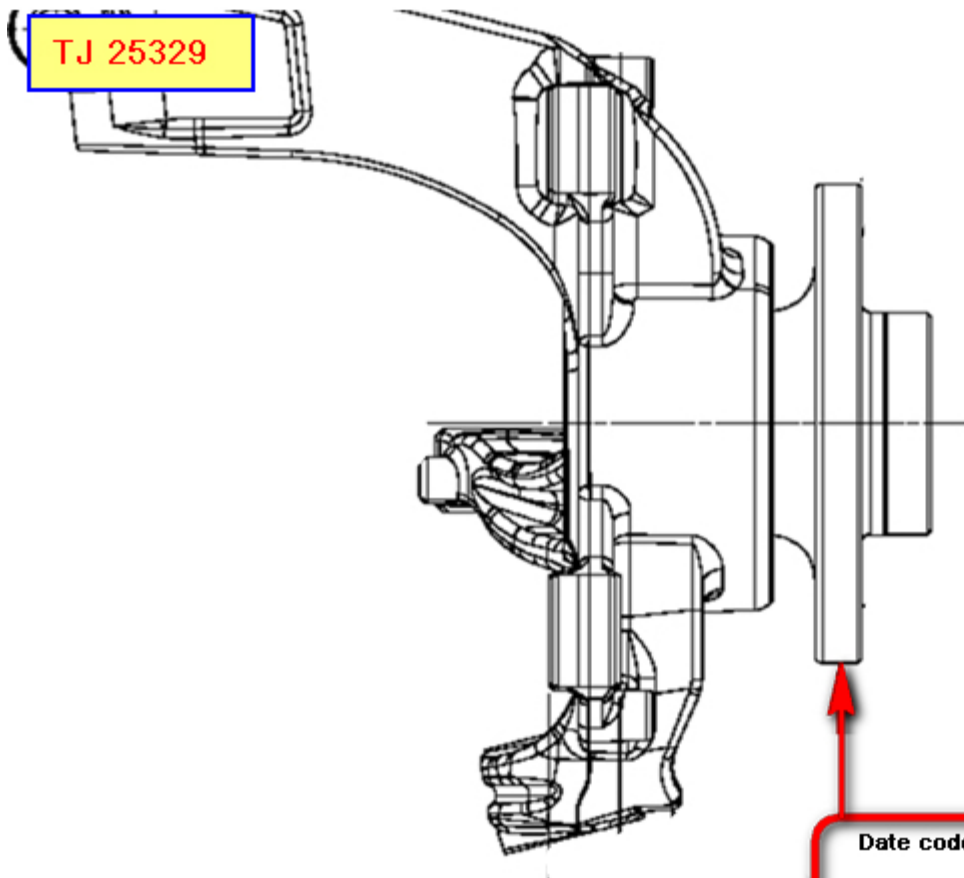
TJ 25329



TJ 25329



TJ 25329



Date code

EXAMPLE:  
L 0001 144 05 AAB



<b>Volvo Car Customer Service</b>	
	TJ Instruction
	TJ No. 25329
	Date July-2014 Issue 00
Title	Scraping noise, Front wheel hub conflict with brake disk, BCM-C003307 C003007

Surfaces to be cleaned using Volvo Cleaner, PN 1161721:

