

8 6-24-14

Retail Operator General Manager	Sales New Motorcycles	Sales Pre-Owned Motorcycles	Business Manager (F&I)	Service	Parts & Accessories	Administration
Date: May 2014		Source: SI 08/2014				
Bulletin # 23 001 014 (011)		Name: Shawn McLean				
		Title: Service & Technical Manager				
		Phone: 201-307-4131				



**BMW Motorrad  
USA**

**Service Information Bulletin**

**\*\*Technical Campaign\*\***

**Subject:** Shift Assistant Threaded fastener

**Model:** R 1200 RT (K52, 0A03/0A13)

**Details:** BMW Motorrad has ascertained that the threaded fastener of the shift assistant may not have been tightened to the correct torque at the factory. The possibility of the threaded fastener working loose while the motorcycle is in use cannot be excluded. This could hamper the operation of the shift assistant function but is unlikely to affect the ability to shift gears normally (using the clutch).

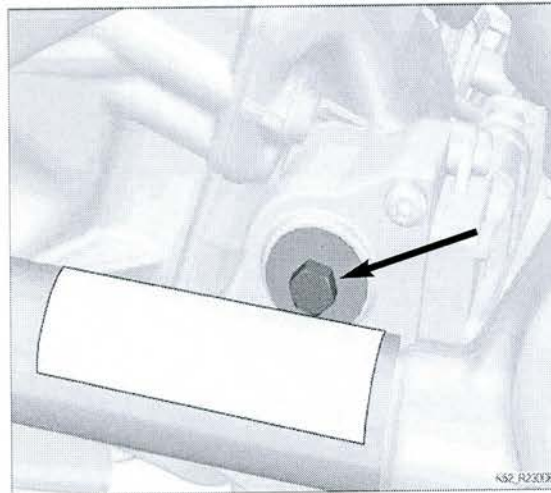


Illustration: Threaded fastener, shift assistant

**Vehicles affected:** In order to determine if a specific vehicle is affected by this Technical Campaign, it will be necessary to verify all vehicle VINs through a DCS Vehicle History Check. Based on the response of the system, either proceed with the repair or take no further action. Please note, affected VINs may not appear until 24-72 hours after the release of this bulletin.

**Production Solution:** As of February 13, 2014 the shift assistant has been installed with the threaded fastener tightened to the correct torque at the factory.

**After-sales Solution:** Before handing over a new motorcycle to its owner or when motorcycles possibly affected by this problem are next brought to the workshop, replace the threaded fastener of the shift assistant (see attached work item 00 60 287 for details).

**Warranty Processing Information:**

Reimbursement for this Technical Campaign is through normal claim entry utilizing the following information:

**Defect code:** 00 23 09 00 00 Replacing threaded fastener of shift assistant  
**Labor code:** 00 60 287\* Replacing screw for shift assistant, 3 FRUs  
**Part number:** 23 41 8 548 860 Hex screw M5x20-10.9

\*Main Work 00 60 287 - this main labor operation crediting 3 FRUs includes all repair procedures to complete the task with allowance for necessary ancillary tasks (e.g. visual inspection, lubrication, cleaning parts etc.) and administrative tasks.

Only one main labor operation can be claimed per repair visit. All other labor operations for any other line(s) must be claimed using plus code labor operations. Please refer to the Warranty Policy and Procedures Manual regarding add-ons, proper support, documentation, claims submission and archiving requirements as applicable.

**Special Tool Set:**

One Special Tool set 83 30 2 357 315 will be auto shipped to all dealers at the release of this campaign. This **one** tool set can be claimed one time per dealer by adding the part number to a single warranty claim related to this campaign.

The following work item is described starting on page 3 of this bulletin:

00 60 287 Replacing screw for shift assistant

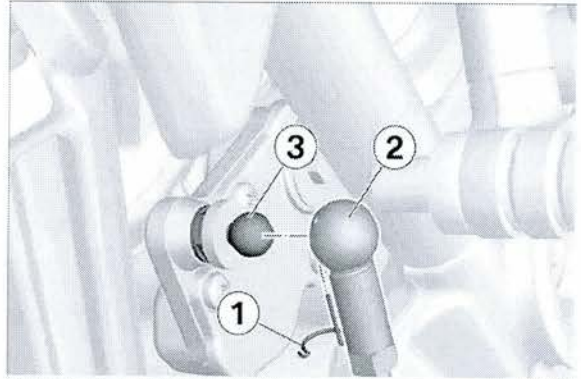
**Contact:** Service and Technical Manager

## 00 60 287 Replacing screw for shift assistant

### 1 Disengaging selector rod

Remove retaining clip (1).

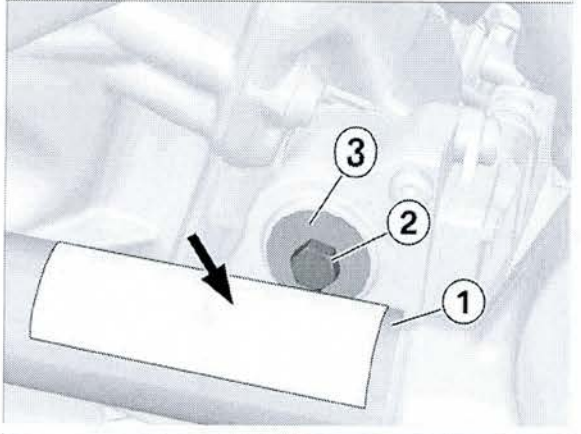
Disengage selector rod (2) from ball head (3).



### 2 Removing shift assistant

Affix masking tape to frame (1) (arrow).

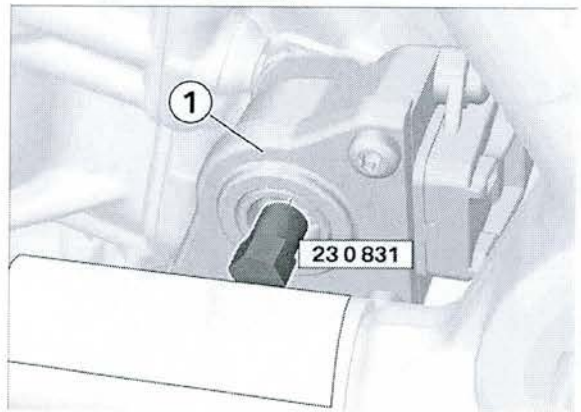
Remove screw (2) and washer (3).



Install jacking screw (23 0 831).

Press off shift assistant (1).

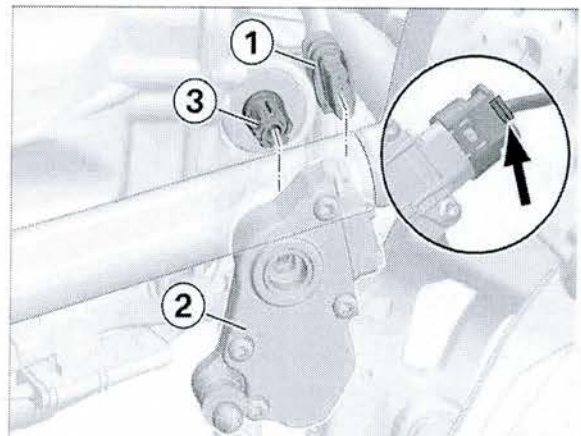
Remove jacking screw (23 0 831).



Unlatch plug (1) for the shift assistant (arrow) and disconnect.

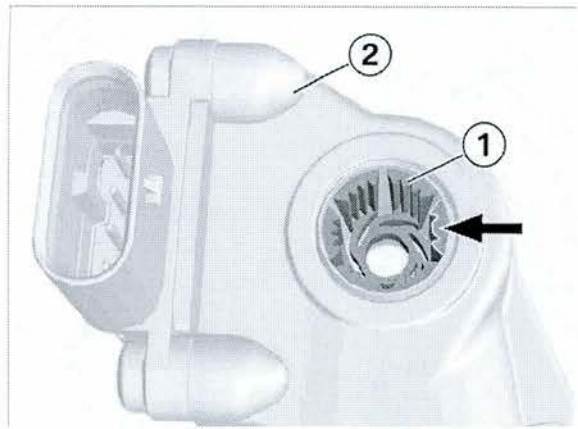
Remove shift assistant (2).

Remove sleeve (3).



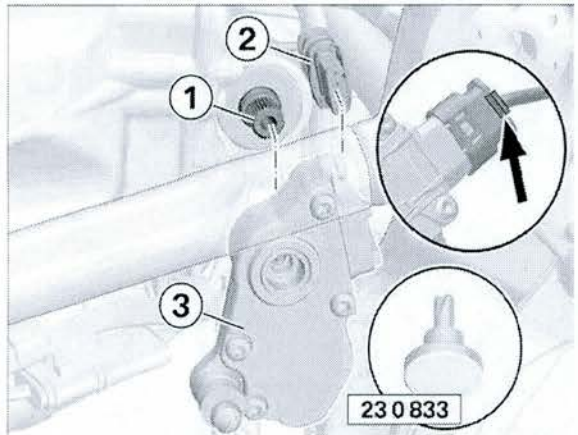
### 3 Installing shift assistant

Insert sleeve (1) flush in shift assistant (2), noting the positioning (arrow).



Clean the threads of selector shaft (1) with thread cleaning tool (23 0 833).

Connect plug (2) for the shift assistant and lock (arrow).

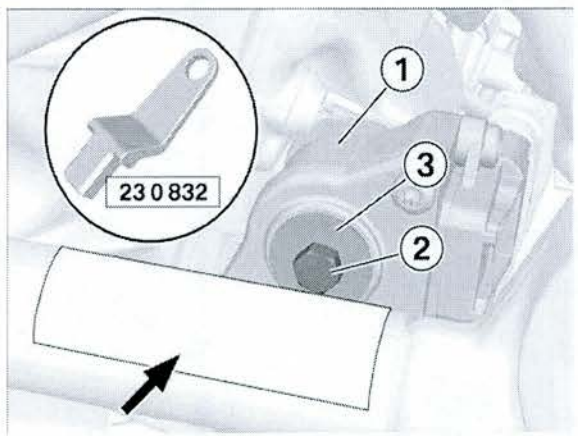


Place shift assistant (3) in position.

Hold shift assistant (1) with washer (3) in position and press on with new screw (2).

Tighten screw (2) with insertion tool (23 0 832).

Remove the adhesive tape (arrow).

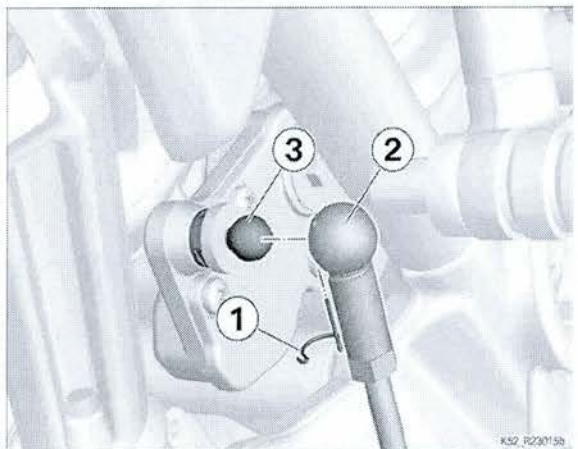


Tightening torques	
Pro shift assistant to selector shaft	
M5 x 20, Replace screw Thread-locking compound (Micro-encapsulated)	10 Nm

### 4 Securing selector rod

Push selector rod (2) on to ball head (3).

Install retaining clip (1).



#### Final check of work performed

Check that the work as performed achieved the intended purpose.

All threaded fasteners released beforehand have been correctly retightened.