



Countries: CANADA, COLOMBIA, UNITED STATES, PUERTO RICO
Availability: ISIS, FleetISIS
Major System: ENGINES
Current Language: English
Other Languages: [Français](#), [Español](#),
Viewed: 805

Document ID: IK0900018
Revision: 4
Created: 9/25/2007
Last Modified: 9/23/2014
Author: Ann Marie Manos

SB-10055240-4338

[Less Info](#)

Hide Details

Coding Information

Copy Link 	Copy Relative Link 	Bookmark View My Bookmarks	Add to Favorites 	Print 	Provide Feedback 	Helpful 185	Not Helpful 205
----------------------	-------------------------------	--	-----------------------------	------------------	-----------------------------	---------------------------	-------------------------------

Title: Prostar upper radiator pipe cracking or breaking at support bracket or at flange area

Applies To: Prostars built before 8/28/07

CHANGE LOG

Dealers: Please refer to the change log text box below for recent changes to this article:

9/23/2014 - Author updated for feedback purposes

DESCRIPTION

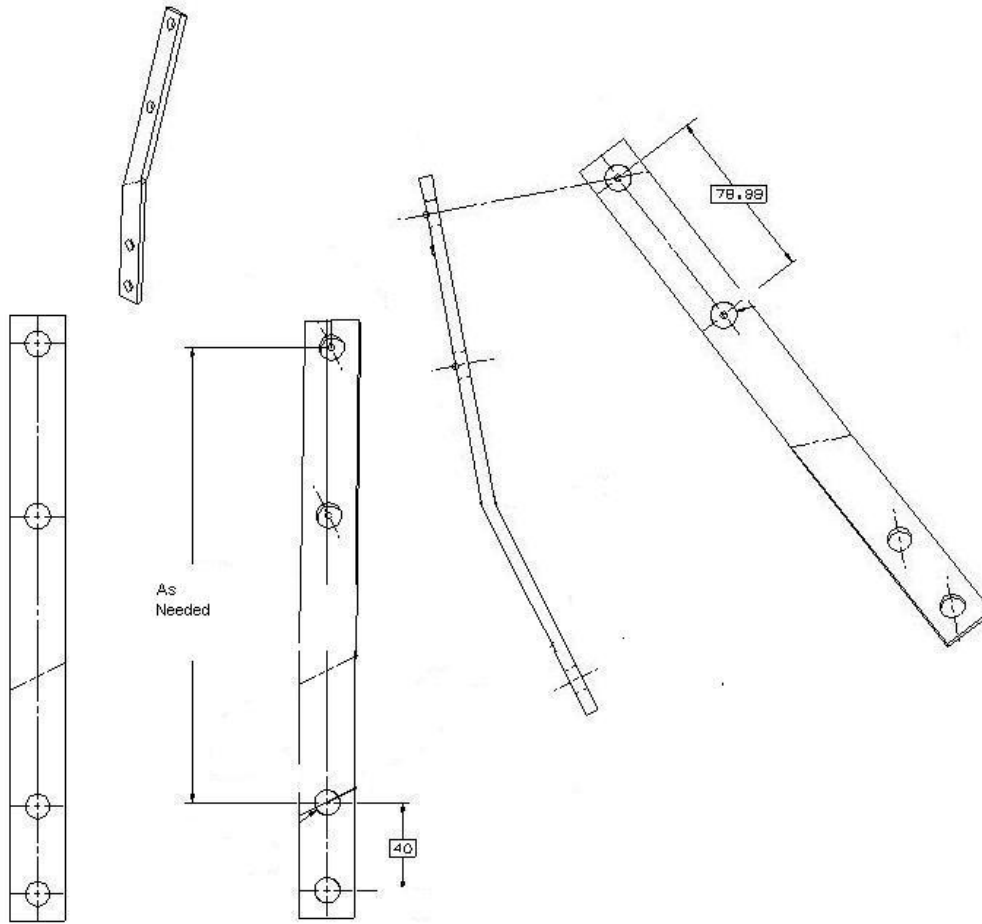
On some ProStar tucks built before 8/28/07 we have seen the upper radiator pipe break either at the support bracket that is welded to the pipe, or at the flange that mates to the engine. The fix is to cut off the support bracket that is welded to the pipe and make a simple bracket out of flat stock similar to drawing 1 below. Bolt the new bracket to the engine and secure the pipe to the bracket with an exhaust u-bolt (471200C1). Make sure to loosen the flange bolts and retighten them after all parts and hoses are loose-fit together and the pipe is secured to the bracket to prevent stress on the support bracket or flange.

This is an interim action to fix as fail until the kit is available.

Note1: In the near future you will be able to order Kit number 8000893R91 along with New pipe number 3625914C2. This kit will contain the new support bracket, U-bolt, nuts, and washers necesseccary to install the new pipe. Keep in mind that the new support bracket will not look like the bracket pictured below.

Note 2: In parts catalog the old pipe number 3625914C1 supercedes to a list of parts including the new pipe and new support bracket. We suggest that you order the kit and new pipe mentioned above in note 1 instead.

Drawing 1



VIEW OF BLANK

Kit 8000893R91 includes:

- 1 - 3821475C1 New support bracket
- 1 - 471200C1 U-bolt
- 2 - 25709R1 Washers
- 2 - 359783C1 Nuts

 Hide Details

Feedback Information

Viewed: 804
Helpful: 185
Not Helpful: 205

No Feedback Found