



Mack Trucks, Inc.
Greensboro, NC USA

Field Service Bulletin Trucks

Date	Group	No.	Release	Page
2.2014	263	039	01	1(2)

SB-10055176-2663

HDMS Cool Logic Fan Drive
CHU, CXU, GU, TD

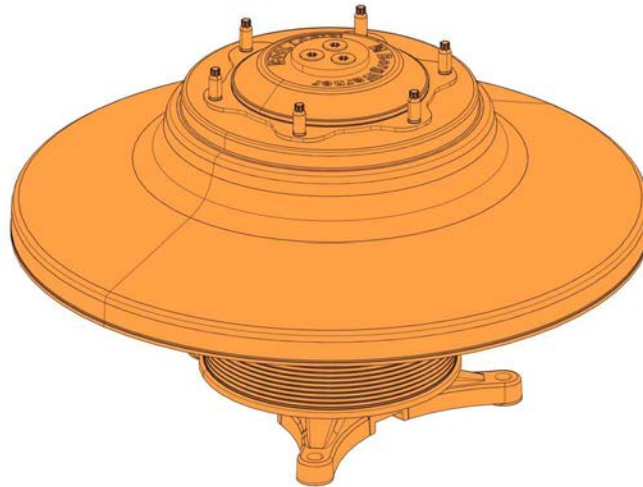
FSB 263-039 HDMS Cool Logic Fan Drive

(February 2014)

Vehicles built before January 6, 2014 equipped with the HDMS Cool Logic engine cooling fan drive may experience a fluid leak from the rear of the drive. Due to this leakage the HDMS fan drives have been redesigned in conjunction with improvements to the manufacturing process to improve sealing and overall durability of the drive.

The new parts are available in the PDC and have been implemented into production. These new parts should be used to replace the previous units on a fix as fail basis.

Refer to service information in Function Group 26 for fan drive replacement. Refer to the table below for the affected part numbers.



W2086676

Description	Old Part Number	New Part Number
Fan Clutch	21925081	22208767
	21925083	22208772
	21925085	22208777
	21925087	22208779
	21925089	22208781
	21925091	22208783
	21925093	22208785
	21925095	22208787