



**SB-10054955-4404**

File in Section: 06 - Engine

Bulletin No.: 14-06-04-002

Date: January, 2014

# Service Bulletin

## INFORMATION

**Subject:** Information for No Start Due to Inoperative LPG Fuel Pump Resulting From Upfitter Revisions

**Models:** 2012-2014 Chevrolet Express  
2012-2014 GMC Savana  
Equipped with Liquefied Petroleum Gas (LPG) — RPO KO7

### Condition

Some customers may comment that their vehicle will not start. They may also comment that the condition is intermittent.

### Cause

An inoperative LPG fuel pump may be caused by an improperly connected G400 terminal. This condition may be the result of one or more of the following:

The necessity of the upfitter removing and repositioning the G400 terminal from its original factory location to another location on the chassis frame rail.

#### Specifically:

The upfitter not properly preparing the chassis frame surface area selected for the new ground location for good electrical contact.

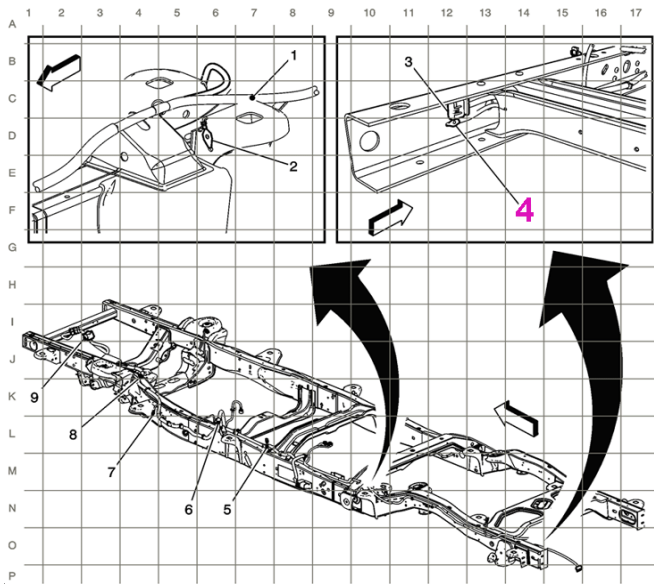
The upfitter not properly preparing the electrical contact area of the G400 terminal and not using a new replacement fastener with a conductive finish to secure the terminal.

The upfitter not properly finishing the area to provide corrosion control.

### Correction

- For information on correctly performing an electrical ground repair, refer to the latest version of Corporate Bulletin 10-08-45-001: Information for Electrical Ground Repair - Use New Replacement Fasteners with Conductive Finish.
- For information on correctly performing the procedures for prepping and corrosion control, refer to the latest version of #PI0564D: Wax Coating on Frame Peeling, Metal Shows Corrosion/Rusting.
- For information on selecting the proper products and coatings that GM believes to be reliable, refer to the latest version of Corporate Bulletin 01-08-51-003: Application of Anti-Corrosion Materials.

When replacing an LPG fuel pump that has failed, the following **MUST** be performed to ensure the integrity of G400:



3679777

1. Review the original OEM location of G400 (4) in the graphic. The new G400 location selected by the upfitter will be in this general area of the chassis frame.



3679786



3679788

2. Review the graphics of the several new G400 locations that were possibly selected for use by the upfitter on the chassis frame in order to become familiar with the various locations.
3. Using GM approved residue-free solvent or equivalent, remove any grease from the G400 terminal.
4. Disconnect and remove the G400 terminal from the chassis frame.
5. Carefully remove any corrosion from both sides of the G400 terminal.
6. Using GM approved residue-free solvent or equivalent, remove any grease from the area and allow to dry.
7. Carefully remove any factory coating from the area until clean bare metal is visible.
8. Prep the repair area, as outlined in the Recommendations/Instructions in the latest version of #PI0564D: Wax Coating on Frame Peeling, Metal Shows Corrosion/Rusting.
9. Select a conductive fastener for the repair. Refer to Corporate Bulletin 10-08-45-001: Information for Electrical Ground Repair - Use New Replacement Fasteners with Conductive Finish.
10. Using a small brush, apply Dielectric Lubricant to both sides of the G400 terminal, install and secure as needed.
11. Perform the corrosion control procedure as outlined in the Recommendations/Instructions in #PI0564D.