



SB-10054905-7463

Technical Service Bulletin

SUBJECT:			No: TSB-14-37-001
INTERMEDIATE STEERING SHAFT REMOVAL & INSTALLATION – SERVICE MANUAL REVISION			DATE: January, 2014
			MODEL: 2014 Outlander
CIRCULATE TO:	<input type="checkbox"/> GENERAL MANAGER	<input type="checkbox"/> PARTS MANAGER	<input checked="" type="checkbox"/> TECHNICIAN
<input checked="" type="checkbox"/> SERVICE ADVISOR	<input checked="" type="checkbox"/> SERVICE MANAGER	<input type="checkbox"/> WARRANTY PROCESSOR	<input type="checkbox"/> SALES MANAGER

PURPOSE

This TSB adds procedures for removal and installation of the intermediate steering shaft.

AFFECTED VEHICLES

2014 Outlander

AFFECTED SERVICE MANUALS

2014 Outlander Service Manual Group 37 – Steering > Steering Column Shaft Assembly > Steering Shaft Disassembly and Reassembly

Please insert the <<Added>> information shown below and from page three where in:
 2014 Outlander Service Manual Group 37 – Steering > Steering Column Shaft Assembly >
 Steering Shaft Disassembly and Reassembly

37-74

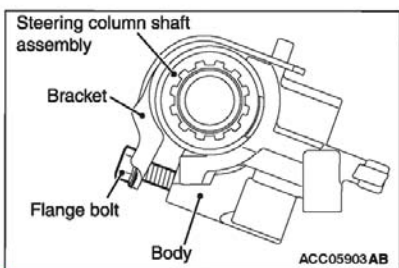
**ELECTRIC POWER STEERING (EPS)
 INTERMEDIATE SHAFT ASSEMBLY**

REASSEMBLY SERVICE POINT

>>A<< BODY/BRACKET INSTALLATION

1. Insert the housing from the column shaft end, and then engage the protrusion on the housing with the recess on the steering column shaft assembly.
2. Tighten the flange bolt to the specified torque.

Tightening torque: 12 ± 5 N·m (106 ± 44 in-lb)



<Added>

INTERMEDIATE SHAFT ASSEMBLY

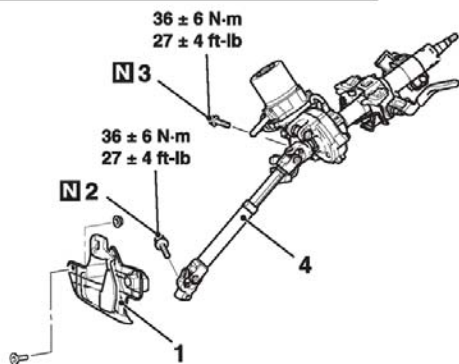
REMOVAL AND INSTALLATION

M1372019800044

CAUTION

After the installation, perform a calibration for the ASC-ECU to learn the steering wheel sensor neutral point (Refer to GROUP 35C – On-vehicle Service, Steering Wheel Sensor Calibration).

Pre-removal and Post-installation Operation
 Steering Wheel Straight-ahead Position Check



Removal steps

- >>A<<
1. Steering shaft cover
 2. Steering column lower bolt (Intermediate shaft assembly and steering gear & linkage connection)

Removal steps (Continued)

- >>A<<
3. Steering column upper bolt (column axis and intermediate shaft assembly)
 4. Intermediate shaft assembly

From page 3

To page 2

INSTALLATION SERVICE POINT

>>A<< STEERING COLUMN UPPER BOLT (COLUMN AXIS AND INTERMEDIATE SHAFT ASSEMBLY)/STEERING COLUMN LOWER BOLT (INTERMEDIATE SHAFT ASSEMBLY AND STEERING GEAR & LINKAGE CONNECTION) INSTALLATION

Insert the steering column bolt into the non-threaded bolt hole, and tighten it to the specified torque.

Tightening torque: 36 ± 6 N·m (27 ± 4 ft-lb)

