



SP 7-408-003  
**SERVICE PROGRAM**

January, 2014

**ATTENTION:**

Service Managers / Parts Managers

**SUBJECT:**

Front Engine Cross Member Side Brackets  
for Autocar WXLL Xpeditors.

**DESCRIPTION OF WORK:**

Certain WXLL vehicles equipped with five-piece front engine cross members have experienced side bracket failures. This Service Program provides information for the replacement of brackets which have failed over an extended period of heavy-duty operation.

**PROGRAM EXPIRES:**

January 20, 2015

**VEHICLES AFFECTED:**

This Service Program covers vehicles manufactured between 2007 and 2010 with serial numbers ranging from 206524 through 210104. Refer to the VIN list beginning on page 8.

**SERVICE RESPONSIBILITY:**

Service Programs are performed on eligible vehicles at no charge to the owner until the expiration date listed above.

**SERVICE PROGRAM  
INFORMATION:**

Service Programs are product modifications and/or product improvements that Autocar has determined will enhance the operation of the truck. In a continuing effort to inform our customers of potential service issues and avoid unnecessary down time, Autocar has identified the following operation as recommended preventive maintenance.

This Service Program should be added to your preventive maintenance and service manuals.

While being committed to continuous product improvement, Autocar is not liable for updating existing chassis after they have been placed in service.

Questions regarding this Service Program should be directed to Autocar Technical Support at 888-218-3611.

**TO OBTAIN PARTS:**

Ensure that you have authorization from the customer to perform this work, and send an e-mail to:

[warranty@autocartruck.com](mailto:warranty@autocartruck.com)

**Include:**

1. VIN(s) (or) (last 6 digits of the VIN(s))
2. Attention To Name
3. Ship To Address.

SP 7-408-003

# SERVICE PROGRAM

January, 2014

## REQUIRED PARTS:

- S4080001K013-X-MBR,FRNT ENG, WXLL
- (1) A4080127-001 Bracket, LH front
  - (1) A4080123-001 Bracket, LH rear
  - (1) A4080122-001 Bracket, RH rear
  - (1) A4080126-001 Bracket, RH front
  - (1) S4080001K009 Hardware kit
    - (6) GE286275BO01 Locknut 3/4"
    - (4) GE286262BO01 Locknut 5/8"
    - (2) GE410162AO20 Bolt 5/8" x 2"
    - (6) GE410175AO34 Bolt 3/4" x 4 1/2"
    - (2) GE410162AO28 Bolt 5/8" x 3"
    - (2) GE410162AO22 Bolt 5/8" x 2 1/4"
    - (2) GE410162AO26 Bolt 5/8" x 2 3/4"

## TOOLS REQUIRED:

- Huck cutter
- 1/2" drive 15/16" socket
- 1/2" drive 1-1/8" socket
- 3/4" combination wrench
- 15/16" combination wrench
- 1-1/8" combination wrench
- 1/2" drive torque wrench with a range of 100 to 320 ft. lbs.
- High strength "272" thread locking compound (obtain locally).

## CLAIMS FOR REIMBURSEMENT:

Order parts and submit a claim for reimbursement in accordance with Autocar's Warranty Administration Manual.

## CLAIM CODING INFORMATION:

| Repair Number<br>(Op Code) | Time Allowance<br>(SRT) | Description   |
|----------------------------|-------------------------|---|
| 71401-0-28                 | 4.5 HR                  | Front engine support crossmember brackets replace (4) |



## WARNING

Allow the vehicle's engine and cooling system to cool to ambient temperature before performing the repair procedure. A hot engine or cooling assembly may cause burns or other personal injury.



## WARNING

To prevent eye injury, always wear eye protection when performing vehicle maintenance, service or inspection.



## WARNING

Before working on a vehicle, set the parking brake, place the transmission in neutral and block the wheels. Failure to do so can result in unexpected vehicle movement and can cause serious personal injury or death.

SP 7-408-003

# SERVICE PROGRAM

January, 2014

## SAFETY NOTICES



### CAUTION

#### LOCKOUT/TAGOUT PROCEDURES

Before entering the vehicle or vehicle body, read and follow OSHA regulations concerning entry and working in "CONFINED SPACE" OSHA 1910.146 and "LOCKOUT/TAGOUT" OSHA 1910.147. Follow OSHA regulations while performing any work on the vehicle. The vehicle must be disabled by the following steps before performing any work on the vehicle:

1. Place the transmission in NEUTRAL.
2. Set the parking brake.
3. Shut the engine OFF.
4. Lock cab doors, keep the key in your pocket. Block the wheels before entering the body or performing any work on the vehicle.
5. Turn the battery disconnect switch OFF, if equipped.
6. Completely drain the air from the primary/A system and secondary/B system by opening the drain valves on the air tanks themselves or by using the drain manifold if supplied. When draining the air tanks, do not look into the area where air is draining. Dirt or sludge particles may be expelled in the air stream and can cause eye injury.
7. Place magnetic "DANGER" signs on both cab doors before entering the body or performing any work on the vehicle.
8. Take proper precautions before working under the vehicle. Use ramps approved for the weight of your vehicle, or use floor jacks and stands. Never work under a vehicle supported by jacks alone. Always use jack stands to support the vehicle.



### WARNING

Autocar natural gas powered vehicles require specific compliance in the service, storage and refueling procedures.

If you store or dispense Compressed Natural Gas (CNG) or Liquid Natural Gas (LNG), or if you work on CNG or LNG trucks, your location must be fully compliant with applicable codes, regulations and standards, including National Fire Protection Association (NFPA) codes, Society of Automotive Engineers (SAE) standards, American National Standards Institute (ANSI), Natural Gas Vehicle (NGV) standards, the United States Code of Federal Regulations (CFR), and your state and local fire and other applicable codes (including the California Code of Regulations and the Texas Administrative Code, as applicable).

Contact your local fire department for guidance and additional compliance information. Technicians working on Autocar trucks with CNG or LNG engines must be trained in the proper repair of CNG and LNG engines and the safe storage and dispensing of CNG and LNG.

SP 7-408-003

**SERVICE PROGRAM**

January, 2014

**REPLACING THE FRONT  
ENGINE CROSS MEMBER SIDE  
BRACKETS**

1. Raise the cab in accordance with the following safety precautions and procedures.

**WARNING**

Due to the danger of sustaining personal injury and/or damage to the vehicle, never attempt to raise the cab outdoors under extremely windy conditions. Strong wind conditions could force the cab beyond the normal limits of its travel. Never rely on the hydraulic pressure to hold the cab in an open position. Always use the safety pin in the cab tilt lock tube to prevent serious personal injury or death.

**WARNING**

Remove or secure all loose articles and close all doors before raising the cab. The area above and ahead of the cab must be clear from obstructions. Place front wheels in a straight ahead position.

Remove the pump handle from its storage on the inside of the cab near the driver or passenger seat.

Place the selector lever on the hydraulic pump in the RAISE position. Insert the pump handle into the pump and operate the handle in an up and down motion. The hydraulic cab latches will open, then the hydraulic cylinders will lift the cab until the midpoint (top) is reached.

Once the cab has reached its midpoint the cab will move forward to the fully open position. The safety pin in the cab tilt lock device must be installed when the holes line up in the sliding bar.

Remove the pump handle when not in use. It may stick out and could cause injury to passersby.

SP 7-408-003

# SERVICE PROGRAM

January, 2014

2. Locate the front engine cross member and the LH and RH side brackets (see Figure 1).
3. Support the engine with jack stands.
4. Using a huck cutter, remove the fasteners from the RH rail at the front and rear side brackets and discard (see Figure 1).
5. Remove the RH front and RH rear side brackets and discard.



## WARNING

Take proper precautions before working under the vehicle. Use ramps approved for the weight of your vehicle, or use floor jacks and stands. Never work under a vehicle supported by jacks alone. Always use jack stands to support the vehicle.

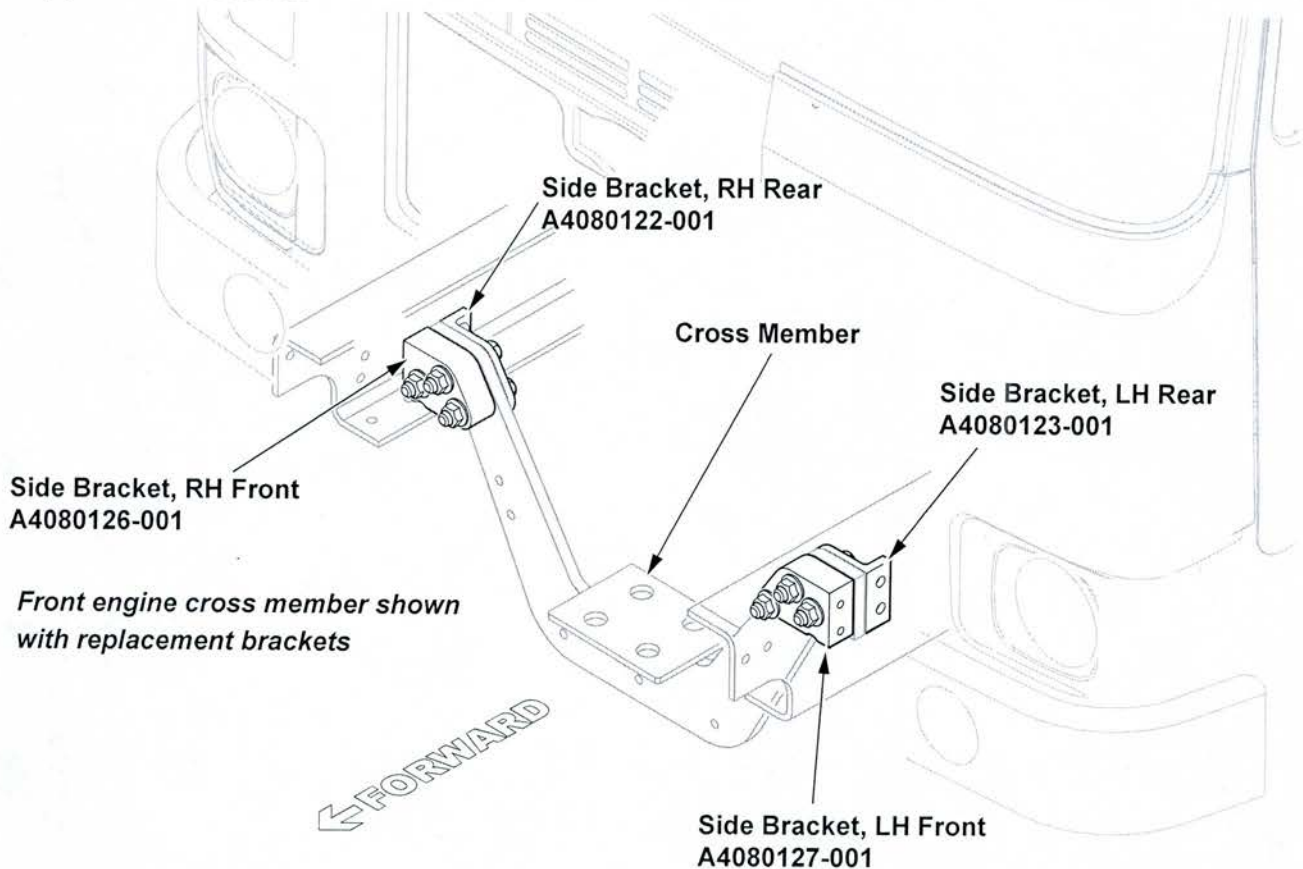
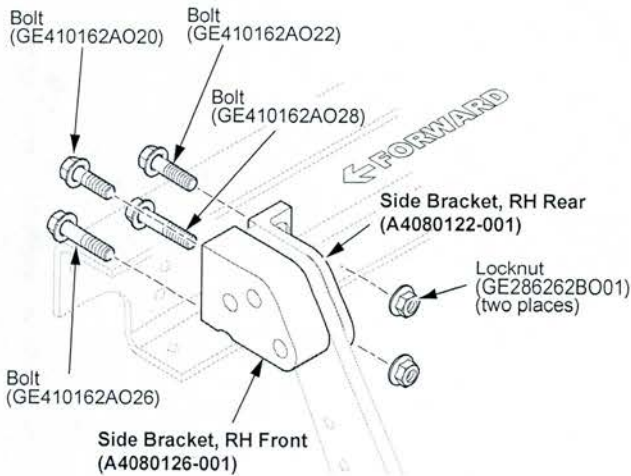


Figure 1

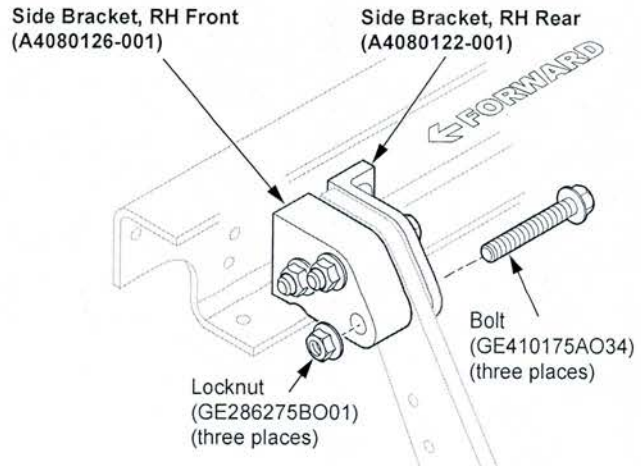
# SP 7-408-003

## SERVICE PROGRAM

January, 2014



**Figure 2**

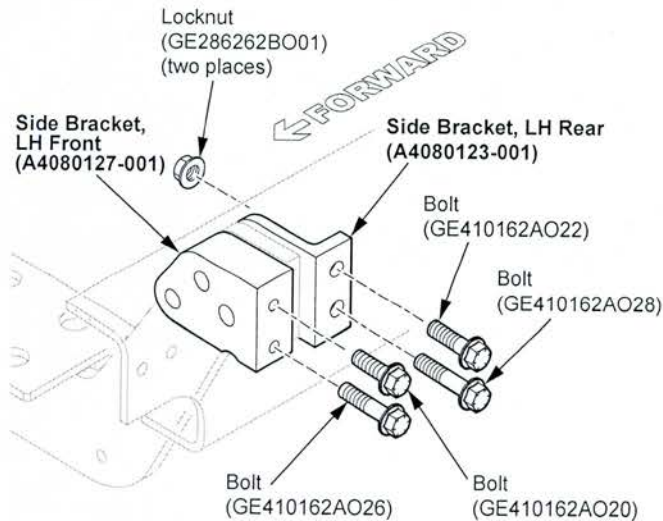


**Figure 3**

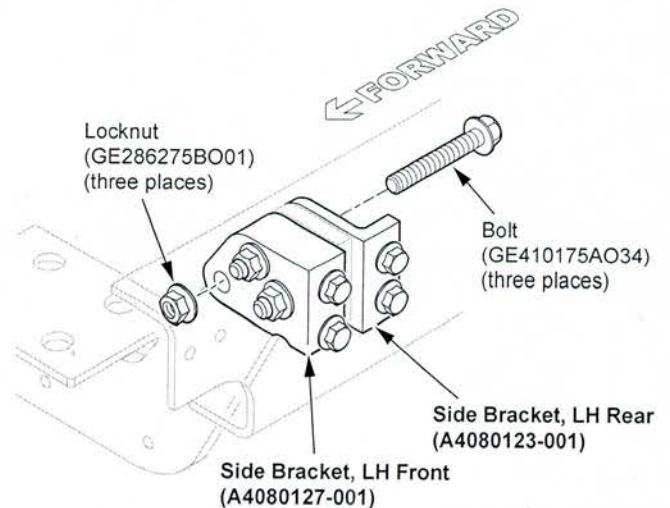
6. Install the new side bracket, RH front (A4080126-001) to the RH rail, apply high strength "272" or equivalent thread locking compound and install one (GE410162AO20) bolt and one (GE410162AO26) bolt (see Figure 2).
7. Install the new side bracket, RH rear (A4080122-001) to the RH rail using one (GE410162AO22), one (GE410162AO28) bolt and two (GE286262BO01) locknuts (see Figure 2).
8. Tighten the fasteners in step 6 and 7 to 212 ft-lbs (287 N·m) of torque.
9. Install three (GE410175AO34) bolts and three (GE286275BO01) locknuts to the side bracket, RH front and side bracket, RH rear and cross member (see Figure 3).
10. Tighten the fasteners in step 9 to 315 ft-lbs (427 N·m) of torque.
11. Using a huck cutter, remove the fasteners from the LH rail at the front and rear side brackets and discard (see Figure 1).
12. Remove the LH front and LH rear side brackets and discard.

# SP 7-408-003 SERVICE PROGRAM

January, 2014



**Figure 4**



**Figure 5**

13. Install the new side bracket, LH rear (A4080123-001) to the LH rail using one (GE410162AO22), one (GE410162AO28) bolt and two (GE286262BO01) locknuts (see Figure 4).
14. Install the new side bracket, LH front (A4080127-001) to the LH rail, apply high strength "272" or equivalent thread locking compound and install one (GE410162AO20) bolt and one (GE410162AO26) bolt (see Figure 4).
15. Tighten the fasteners in step 13 and 14 to 212 ft-lbs (287 N·m) of torque.

16. Install three (GE410175AO34) bolts and three (GE286275BO01) locknuts to the side bracket, LH front and side bracket, LH rear and cross member (see Figure 5).
17. Tighten the fasteners in step 16 to 315 ft-lbs (427 N·m) of torque.
18. Remove the jack stands.
19. Lower the cab.
20. Repairs are complete.

SP 7-408-003

# SERVICE PROGRAM

January, 2014

|                   |                   |                   |                   |
|-------------------|-------------------|-------------------|-------------------|
| 5VCHC6JF28H206405 | 5VCHC6JF78H206710 | 5VCHC6JF78H206769 | 5VCHC6JF78H206805 |
| 5VCHC6JF48H206406 | 5VCHC6JF98H206711 | 5VCHC6JF38H206770 | 5VCHC6JF98H206806 |
| 5VCHC6JF68H206407 | 5VCHC6JF08H206712 | 5VCHC6JF58H206771 | 5VCHC6JF08H206807 |
| 5VCHC6JF88H206408 | 5VCHC6LE28H206716 | 5VCHC6JF78H206772 | 5VCHC6JF28H206808 |
| 5VCHC6JF58H206494 | 5VCHC6LE48H206717 | 5VCHC6JF98H206773 | 5VCHC6JF48H206809 |
| 5VCHC6JF78H206495 | 5VCHC6LE68H206718 | 5VCHC6JF08H206774 | 5VCHC6JF08H206810 |
| 5VCHC6JF98H206496 | 5VCHC6LE88H206719 | 5VCHC6JF28H206775 | 5VCHC6KF78H206818 |
| 5VCHC6JF08H206497 | 5VCHC6LE48H206720 | 5VCHC6JF48H206776 | 5VCHC6KF98H206819 |
| 5VCHC6JF28H206498 | 5VCHC6LE68H206721 | 5VCHC6KF88H206777 | 5VCHC6KF58H206820 |
| 5VCHC6JF48H206499 | 5VCHC6LEX8H206740 | 5VCHC6KFX8H206778 | 5VCHC6KF78H206821 |
| 5VCHC6JF78H206500 | 5VCHC6LE18H206741 | 5VCHC6KF18H206779 | 5VCHC6KFX8H206831 |
| 5VCHC6JFX8H206524 | 5VCHC6JF98H206742 | 5VCHC6KF88H206780 | 5VCH36JF18H206847 |
| 5VCHC6JF18H206525 | 5VCHC6JF08H206743 | 5VCHC6KFX8H206781 | 5VCH36JF38H206848 |
| 5VCHC6JF38H206526 | 5VCHC6JF28H206744 | 5VCHC6KF18H206782 | 5VCH36JF58H206849 |
| 5VCHC6JF58H206527 | 5VCHC6JF68H206746 | 5VCHC6KF38H206783 | 5VCH36JF18H206850 |
| 5VCHC6JF78H206528 | 5VCHC6JF88H206747 | 5VCHC6KF58H206784 | 5VCH36JF38H206851 |
| 5VCHC6JF98H206529 | 5VCHC6JFX8H206748 | 5VCHC6KF78H206785 | 5VCHC6KF78H206852 |
| 5VCHC6JF58H206530 | 5VCHC6JF18H206749 | 5VCHC6KF98H206786 | 5VCHC6KF98H206853 |
| 5VCHC6JF78H206531 | 5VCHC6JFX8H206751 | 5VCHC6KF08H206787 | 5VCHC6JF98H206854 |
| 5VCHC6JF98H206532 | 5VCHC6JF18H206752 | 5VCHC6KF28H206788 | 5VCHC6JF08H206855 |
| 5VCHC6JF58H206558 | 5VCHC6KF58H206753 | 5VCHC6JF28H206789 | 5VCHC6JF28H206856 |
| 5VCHC6JF38H206607 | 5VCHC6KF78H206754 | 5VCHC6JF98H206790 | 5VCH36JF48H206857 |
| 5VCHC6JF58H206608 | 5VCHC6KF98H206755 | 5VCHC6JF08H206791 | 5VCH36JF68H206858 |
| 5VCHC6JF78H206609 | 5VCHC6KF08H206756 | 5VCHC6JF28H206792 | 5VCH36JF88H206859 |
| 5VCHC6JF78H206612 | 5VCHC6KF28H206757 | 5VCHC6JF48H206793 | 5VCH36JF48H206860 |
| 5VCHC6JF98H206627 | 5VCHC6KF48H206758 | 5VCHC6JF68H206794 | 5VCHC6KF88H206861 |
| 5VCHC6JF08H206628 | 5VCHC6KF68H206759 | 5VCHC6JF88H206795 | 5VCH36JF78H206884 |
| 5VCHC6JF28H206629 | 5VCHC6KF28H206760 | 5VCHC6JFX8H206796 | 5VCHC6KF08H206885 |
| 5VCHC6KF18H206636 | 5VCHC6KF48H206761 | 5VCHC6JF18H206797 | 5VCHC6KF28H206886 |
| 5VCHC6KF38H206637 | 5VCHC6KF68H206762 | 5VCHC6JF38H206798 | 5VCHC6JF28H206887 |
| 5VCHC6JF58H206642 | 5VCHC6KF88H206763 | 5VCHC6JF58H206799 | 5VCH36JF58H206897 |
| 5VCHC6JF78H206643 | 5VCHC6KFX8H206764 | 5VCHC6JF88H206800 | 5VCHC6LE88H206901 |
| 5VCHC6JF98H206644 | 5VCHC6KF18H206765 | 5VCHC6JFX8H206801 | 5VCHC6LEX8H206902 |
| 5VCHC6JF08H206645 | 5VCHC6KF38H206766 | 5VCHC6JF18H206802 | 5VCHC6LE18H206903 |
| 5VCHC6JF98H206708 | 5VCHC6KF58H206767 | 5VCHC6JF38H206803 | 5VCHC6LE38H206904 |
| 5VCHC6JF08H206709 | 5VCHC6JF58H206768 | 5VCHC6JF58H206804 | 5VCHC6LE58H206905 |

**SP 7-408-003**  
**SERVICE PROGRAM**

January, 2014

|                   |                   |                   |                   |
|-------------------|-------------------|-------------------|-------------------|
| 5VCHC6LE78H206906 | 5VCHC6JF08H207133 | 5VCHC6LE78H207294 | 5VCHC6KF38H207416 |
| 5VCHC6LE98H206910 | 5VCHC6JF28H207134 | 5VCHC6LE98H207295 | 5VCHC6JF58H207418 |
| 5VCHC6LE08H206911 | 5VCHC6JF48H207135 | 5VCHC6LEX8H207306 | 5VCHC6JF78H207419 |
| 5VCHC6KFX8H206912 | 5VCHC6JF68H207136 | 5VCHC6LE18H207307 | 5VCHC6JF38H207420 |
| 5VCHC6KF18H206913 | 5VCHC6JF88H207137 | 5VCHC6LE38H207308 | 5VCHC6JF58H207421 |
| 5VCHC6KF38H206914 | 5VCHC6JFX8H207138 | 5VCHC6LE58H207309 | 5VCHC6JF78H207422 |
| 5VCHC6KF58H206915 | 5VCHC6JF18H207139 | 5VCHC6LE18H207310 | 5VCHC6JF98H207423 |
| 5VCHC6KF78H206916 | 5VCHC6JF88H207140 | 5VCHC6LE38H207311 | 5VCHC6JF08H207424 |
| 5VCHC6KF98H206917 | 5VCHC6JFX8H207141 | 5VCHC6LE58H207312 | 5VCHC6JF28H207425 |
| 5VCHC6KF08H206918 | 5VCHC6JF18H207142 | 5VCHC6LE78H207313 | 5VCHC6JF48H207426 |
| 5VCHC6JF68H206939 | 5VCHC6JF38H207143 | 5VCHC6LE98H207314 | 5VCHC6JF68H207427 |
| 5VCHC6JF28H206940 | 5VCHC6JF58H207144 | 5VCHC6LE08H207315 | 5VCHC6JF88H207428 |
| 5VCHC6JF48H206941 | 5VCHC6JF78H207145 | 5VCHC6KF18H207348 | 5VCH36JF78H207436 |
| 5VCHC6JF68H206942 | 5VCHC6JF48H207152 | 5VCHC6KF68H207362 | 5VCHC6JF18H207478 |
| 5VCHC6JF18H206976 | 5VCHC6JF68H207153 | 5VCHC6JF68H207363 | 5VCHC6JF38H207479 |
| 5VCHC6JF38H206977 | 5VCHC6JF88H207154 | 5VCHC6JF88H207364 | 5VCHC6KF18H207480 |
| 5VCHC6JF58H206978 | 5VCHC6JF38H207160 | 5VCHC6JFX8H207365 | 5VCHC6JF18H207528 |
| 5VCHC6JF78H206979 | 5VCHC6JF58H207161 | 5VCHC6JF18H207366 | 5VCHC6LE88H207532 |
| 5VCHC6JF38H206980 | 5VCHC6JF18H207190 | 5VCHC6JF38H207367 | 5VCHC6LEX8H207533 |
| 5VCHC6JF58H206981 | 5VCHC6JF38H207191 | 5VCHC6JF58H207368 | 5VCHC6LE18H207534 |
| 5VCHC6JF78H206982 | 5VCHC6JF58H207192 | 5VCHC6KF58H207370 | 5VCHC6JF98H207535 |
| 5VCHC6JF98H206983 | 5VCHC6JF98H207194 | 5VCHC6KF78H207371 | 5VCHC6JF48H207538 |
| 5VCHC6JF08H206984 | 5VCHC6JF08H207195 | 5VCHC6KF98H207372 | 5VCHC6JF08H207553 |
| 5VCHC6JF28H206985 | 5VCHC6JF28H207196 | 5VCHC6KF08H207373 | 5VCHC6JF28H207554 |
| 5VCHC6JF48H206986 | 5VCHC6JF48H207197 | 5VCHC6KF28H207374 | 5VCHC6JF48H207555 |
| 5VCHC6JF18H207044 | 5VCHC6JFX8H207253 | 5VCHC6KF48H207375 | 5VCHC6JF68H207556 |
| 5VCHC6JF98H207065 | 5VCHC6JF18H207254 | 5VCHC6KF68H207376 | 5VCHC6KF18H207575 |
| 5VCHC6JF08H207066 | 5VCHC6JF18H207285 | 5VCHC6KF88H207377 | 5VCHC6KF38H207576 |
| 5VCHC6JF28H207067 | 5VCHC6JF38H207286 | 5VCH36JF58H207399 | 5VCHC6JF38H207580 |
| 5VCHC6JF48H207068 | 5VCHC6JF58H207287 | 5VCH36JF88H207400 | 5VCHC6JF58H207581 |
| 5VCHC6JF68H207069 | 5VCHC6JF78H207288 | 5VCHC6KF18H207401 | 5VCH36JF78H207582 |
| 5VCHC6JF28H207070 | 5VCHC6JF98H207289 | 5VCHC6KF38H207402 | 5VCHC6JF98H207583 |
| 5VCHC6JF48H207071 | 5VCHC6JF58H207290 | 5VCHC6KF68H207412 | 5VCHC6JF49H207590 |
| 5VCHC6JF68H207072 | 5VCHC6JF78H207291 | 5VCHC6KF88H207413 | 5VCHC6JF69H207591 |
| 5VCHC6JF28H207084 | 5VCHC6JF98H207292 | 5VCHC6KFX8H207414 | 5VCHC6JF89H207592 |
| 5VCHC6JF48H207085 | 5VCHC6JF08H207293 | 5VCHC6KF18H207415 | 5VCHC6JFX9H207593 |

SP 7-408-003

# SERVICE PROGRAM

January, 2014

|                   |                   |                   |                   |
|-------------------|-------------------|-------------------|-------------------|
| 5VCHC6JF19H207594 | 5VCHC6KF49H207782 | 5VCHC6JF39H207998 | 5VCHC6LE89H208228 |
| 5VCHC6JF39H207595 | 5VCHC6KF69H207783 | 5VCHC6KF19H208016 | 5VCHC6LEX9H208229 |
| 5VCHC6JF59H207596 | 5VCHC6KF89H207784 | 5VCHC6KF39H208017 | 5VCHC6LE69H208230 |
| 5VCHC6JF79H207597 | 5VCHC6KFX9H207785 | 5VCHC6KF79H208019 | 5VCHC6LE89H208231 |
| 5VCHC6JF99H207598 | 5VCHC6KF09H207794 | 5VCHC6KF39H208020 | 5VCHC6LEX9H208232 |
| 5VCHC6JF09H207599 | 5VCHC6KF29H207795 | 5VCHC6KF59H208021 | 5VCHC6LE19H208233 |
| 5VCHC6KF18H207608 | 5VCHC6JF29H207796 | 5VCHC6KF79H208022 | 5VCHC6LE39H208234 |
| 5VCHC6HE58H207609 | 5VCHC6KF39H207806 | 5VCHC6KF99H208023 | 5VCHC6LE59H208235 |
| 5VCHC6HE18H207610 | 5VCHC6KF59H207807 | 5VCHC6JF29H208091 | 5VCHC6LE79H208236 |
| 5VCHC6KF78H207631 | 5VCHC6KF79H207808 | 5VCHC6JF49H208092 | 5VCHC6LE99H208237 |
| 5VCHC6KF98H207632 | 5VCHC6KF99H207809 | 5VCHC6JF69H208093 | 5VCHC6LE09H208238 |
| 5VCHC6JFX8H207642 | 5VCHC6JF99H207813 | 5VCHC6JF89H208094 | 5VCH36LE29H208239 |
| 5VCHC6JF18H207643 | 5VCHC6KFX9H207821 | 5VCHC6JFX9H208095 | 5VCH36LE99H208240 |
| 5VCHC6JFX9H207657 | 5VCHC6KF19H207822 | 5VCHC6JF19H208096 | 5VCH36LE09H208241 |
| 5VCHC6KF69H207668 | 5VCHC6KF39H207823 | 5VCHC6JF39H208097 | 5VCH36LE29H208242 |
| 5VCHC6KF89H207669 | 5VCHC6KF59H207824 | 5VCHC6JF59H208098 | 5VCH36LE49H208243 |
| 5VCHC6KF49H207670 | 5VCHC6JF09H207831 | 5VCHC6JF79H208099 | 5VCH36LE69H208244 |
| 5VCHC6KF69H207671 | 5VCHC6JF29H207832 | 5VCHC6JFX9H208100 | 5VCH36LE89H208245 |
| 5VCHC6KF89H207672 | 5VCHC6KF59H207841 | 5VCHC6KF59H208116 | 5VCH36LEX9H208246 |
| 5VCHC6JF89H207673 | 5VCHC6KF59H207905 | 5VCHC6KF49H208124 | 5VCH36LE19H208247 |
| 5VCHC6JF99H207682 | 5VCH36KF29H207912 | 5VCHC6JF49H208125 | 5VCH36LE39H208248 |
| 5VCHC6JF09H207683 | 5VCHC6KE09H207947 | 5VCHC6JF89H208127 | 5VCH36LE59H208249 |
| 5VCHC6JF29H207684 | 5VCHC6KE29H207948 | 5VCHC6JF79H208152 | 5VCH36LE19H208250 |
| 5VCHC6JF49H207685 | 5VCHC6KE49H207949 | 5VCHC6JF99H208153 | 5VCH36LE39H208251 |
| 5VCHC6JF69H207686 | 5VCHC6KF19H207979 | 5VCHC6JF09H208154 | 5VCH36LE59H208252 |
| 5VCHC6JF89H207687 | 5VCHC6KF89H207980 | 5VCHC6JF29H208155 | 5VCH36LE79H208253 |
| 5VCHC6JFX9H207688 | 5VCHC6KFX9H207981 | 5VCH36JF59H208182 | 5VCH36LE99H208254 |
| 5VCHC6JF19H207689 | 5VCHC6KF19H207982 | 5VCHC6JF59H208196 | 5VCH36LE09H208255 |
| 5VCHC6JF89H207690 | 5VCHC6KF09H207987 | 5VCHC6JF79H208197 | 5VCH36LE29H208256 |
| 5VCHC6JFX9H207691 | 5VCHC6KF29H207988 | 5VCHC6JF99H208198 | 5VCH36LE49H208257 |
| 5VCH36HE59H207692 | 5VCHC6KF49H207989 | 5VCHC6JF09H208199 | 5VCHC6LE99H208268 |
| 5VCHC6KF59H207743 | 5VCHC6KF09H207990 | 5VCHC6JF39H208200 | 5VCHC6LE09H208269 |
| 5VCHC6KF79H207744 | 5VCHC6KF29H207991 | 5VCHC6JF59H208201 | 5VCHC6LE79H208270 |
| 5VCHC6KFX9H207771 | 5VCHC6KF49H207992 | 5VCHC6JF79H208202 | 5VCHC6LE99H208271 |
| 5VCHC6KF19H207772 | 5VCHC6KF69H207993 | 5VCHC6JF99H208203 | 5VCHC6LE09H208272 |
| 5VCHC6KE58H207781 | 5VCHC6KF89H207994 | 5VCHC6LE69H208227 | 5VCHC6LE29H208273 |

**SP 7-408-003**  
**SERVICE PROGRAM**

January, 2014

|                   |                   |                   |                   |
|-------------------|-------------------|-------------------|-------------------|
| 5VCHC6LE49H208274 | 5VCHC6LE49H208310 | 5VCHC6KF79H208411 | 5VCHC6KF79H208649 |
| 5VCHC6LE69H208275 | 5VCHC6LE69H208311 | 5VCHC6KF99H208412 | 5VCHC6KF39H208650 |
| 5VCHC6LE89H208276 | 5VCHC6LE89H208312 | 5VCHC6JF09H208414 | 5VCHC6LE19H208653 |
| 5VCHC6LEX9H208277 | 5VCHC6LEX9H208313 | 5VCHC6LE19H208426 | 5VCHC6LE39H208654 |
| 5VCHC6LE19H208278 | 5VCHC6LE19H208314 | 5VCHC6LE39H208427 | 5VCHC6LE59H208655 |
| 5VCHC6LE39H208279 | 5VCHC6LE39H208315 | 5VCHC6LE59H208428 | 5VCHC6LE79H208656 |
| 5VCHC6LEX9H208280 | 5VCHC6LE59H208316 | 5VCHC6KF49H208429 | 5VCHC6LE99H208657 |
| 5VCHC6LE19H208281 | 5VCHC6LE79H208317 | 5VCHC6KF09H208430 | 5VCHC6JF99H208668 |
| 5VCHC6LE39H208282 | 5VCHC6LE99H208318 | 5VCHC6KF29H208431 | 5VCH36HF59H208673 |
| 5VCHC6LE59H208283 | 5VCHC6JF79H208345 | 5VCHC6KF49H208432 | 5VCH36KFX9H208743 |
| 5VCHC6LE79H208284 | 5VCHC6JF99H208346 | 5VCHC6LE99H208433 | 5VCH36KF19H208744 |
| 5VCHC6LE99H208285 | 5VCHC6JF09H208347 | 5VCHC6KF49H208477 | 5VCHC6JF19H208745 |
| 5VCHC6LE09H208286 | 5VCHC6JF29H208348 | 5VCHC6KF69H208478 | 5VCHC6JF39H208746 |
| 5VCHC6LE29H208287 | 5VCHC6JF49H208349 | 5VCHC6KF89H208479 | 5VCHC6KF09H208752 |
| 5VCHC6LE49H208288 | 5VCHC6JF09H208350 | 5VCHC6KF49H208480 | 5VCHC6KF29H208753 |
| 5VCHC6LE69H208289 | 5VCHC6JF29H208351 | 5VCHC6KF49H208530 | 5VCHC6KF49H208754 |
| 5VCHC6LE29H208290 | 5VCHC6KF59H208391 | 5VCHC6KF69H208531 | 5VCHC6KF69H208755 |
| 5VCHC6LE49H208291 | 5VCHC6KF79H208392 | 5VCHC6KF89H208532 | 5VCHC6KFX9H208757 |
| 5VCHC6LE69H208292 | 5VCHC6KF99H208393 | 5VCHC6LE29H208533 | 5VCHC6KF69H208769 |
| 5VCHC6LE89H208293 | 5VCHC6KF09H208394 | 5VCHC6KF99H208538 | 5VCHC6KF29H208770 |
| 5VCHC6LEX9H208294 | 5VCHC6KF29H208395 | 5VCHC6KF29H208543 | 5VCHC6KF89H208790 |
| 5VCHC6LE19H208295 | 5VCHC6KF49H208396 | 5VCHC6KF09H208556 | 5VCHC6KFX9H208791 |
| 5VCHC6LE39H208296 | 5VCH36KF69H208397 | 5VCHC6KF29H208557 | 5VCHC6KF19H208792 |
| 5VCHC6LE59H208297 | 5VCH36KF89H208398 | 5VCHC6KF49H208558 | 5VCHC6KF39H208793 |
| 5VCHC6LE79H208298 | 5VCH36KFX9H208399 | 5VCHC6KF89H208563 | 5VCHC6KF59H208794 |
| 5VCHC6LE99H208299 | 5VCH36KF29H208400 | 5VCHC6KFX9H208564 | 5VCHC6KF79H208795 |
| 5VCHC6LE19H208300 | 5VCHC6KF49H208401 | 5VCHC6KF19H208565 | 5VCH36KF99H208796 |
| 5VCHC6LE39H208301 | 5VCHC6KF69H208402 | 5VCHC6KF39H208566 | 5VCHC6KF09H208802 |
| 5VCHC6LE59H208302 | 5VCHC6KF89H208403 | 5VCHC6KF59H208567 | 5VCHC6KF29H208803 |
| 5VCHC6LE79H208303 | 5VCHC6KFX9H208404 | 5VCHC6KF79H208568 | 5VCHC6KF49H208804 |
| 5VCHC6LE99H208304 | 5VCHC6KF19H208405 | 5VCHC6KF99H208569 | 5VCHC6KFX9H208810 |
| 5VCHC6LE09H208305 | 5VCHC6KF39H208406 | 5VCHC6KF59H208570 | 5VCHC6LE39H208816 |
| 5VCHC6LE29H208306 | 5VCHC6KF59H208407 | 5VCHC6KF79H208571 | 5VCHC6LE59H208817 |
| 5VCHC6LE49H208307 | 5VCHC6KF79H208408 | 5VCHC6LE29H208645 | 5VCHC6KE79H208819 |
| 5VCHC6LE69H208308 | 5VCHC6KF99H208409 | 5VCHC6KF39H208647 | 5VCHC6KE39H208820 |
| 5VCHC6LE89H208309 | 5VCHC6KF59H208410 | 5VCHC6KF59H208648 | 5VCHC6KE59H208821 |

**SP 7-408-003**  
**SERVICE PROGRAM**

January, 2014

|                   |                   |                   |                   |
|-------------------|-------------------|-------------------|-------------------|
| 5VCHC6KE79H208822 | 5VCHC6LE29H208919 | 5VCHC6KF69H209095 | 5VCHC6KF29H209286 |
| 5VCHC6KE99H208823 | 5VCH36KE49H208938 | 5VCHC6JF29H209113 | 5VCHC6HE89H209288 |
| 5VCHC6KE09H208824 | 5VCH36KE69H208939 | 5VCHC6JF49H209114 | 5VCHC6JF39H209315 |
| 5VCHC6KE29H208825 | 5VCHC6JF29H208950 | 5VCHC6KF49H209130 | 5VCHC6JF59H209316 |
| 5VCHC6KE49H208826 | 5VCHC6LEX9H208991 | 5VCHC6KF59H209136 | 5VCHC6JF79H209317 |
| 5VCHC6KE69H208827 | 5VCH36JF09H209000 | 5VCHC6KF79H209137 | 5VCHC6JF99H209318 |
| 5VCHC6KE89H208828 | 5VCH36JF29H209001 | 5VCHC6KF99H209138 | 5VCHC6JF09H209319 |
| 5VCHC6KEX9H208829 | 5VCH36JF49H209002 | 5VCHC6KF09H209139 | 5VCHC6JF79H209320 |
| 5VCHC6KE69H208830 | 5VCH36JF69H209003 | 5VCHC6KF79H209140 | 5VCHC6JF99H209321 |
| 5VCH36KE89H208831 | 5VCH36JF89H209004 | 5VCHC6KF99H209141 | 5VCHC6JF29H209323 |
| 5VCH36KEX9H208832 | 5VCHC6LE69H209006 | 5VCHC6KF99H209155 | 5VCHC6JF49H209324 |
| 5VCH36KE19H208833 | 5VCHC6LE89H209007 | 5VCHC6KF59H209167 | 5VCHC6JF69H209325 |
| 5VCH36KE39H208834 | 5VCHC6LEX9H209008 | 5VCHC6KF79H209168 | 5VCHC6JF89H209326 |
| 5VCHC6KE59H208835 | 5VCHC6LE19H209009 | 5VCHC6KF99H209169 | 5VCHC6JFX9H209327 |
| 5VCHC6LEX9H208859 | 5VCHC6LE89H209010 | 5VCHC6KF59H209170 | 5VCH36JF19H209359 |
| 5VCHC6LE69H208860 | 5VCHC6LEX9H209011 | 5VCHC6KF79H209171 | 5VCHC6KF49H209418 |
| 5VCHC6LE89H208861 | 5VCHC6LE19H209012 | 5VCHC6KF99H209172 | 5VCHC6JF49H209419 |
| 5VCHC6LEX9H208862 | 5VCHC6LE39H209013 | 5VCHC6KF09H209173 | 5VCHC6JF09H209420 |
| 5VCHC6LE19H208863 | 5VCHC6KFX9H209035 | 5VCHC6KF49H209175 | 5VCHC6JF29H209421 |
| 5VCHC6JF69H208868 | 5VCHC6KF19H209036 | 5VCHC6KF69H209176 | 5VCHC6JF49H209422 |
| 5VCHC6JF89H208869 | 5VCHC6LE69H209037 | 5VCHC6KF89H209177 | 5VCHC6JF69H209423 |
| 5VCHC6JF49H208870 | 5VCHC6LE89H209038 | 5VCHC6KFX9H209178 | 5VCHC6JF89H209424 |
| 5VCHC6JF69H208871 | 5VCHC6LEX9H209039 | 5VCHC6KF19H209179 | 5VCHC6JFX9H209425 |
| 5VCHC6HE59H208891 | 5VCHC6LE69H209040 | 5VCHC6KF89H209180 | 5VCHC6KF39H209426 |
| 5VCHC6LE69H208907 | 5VCHC6LE99H209047 | 5VCHC6KFX9H209181 | 5VCHC6KF59H209427 |
| 5VCHC6LE89H208908 | 5VCHC6LE09H209048 | 5VCHC6KF19H209182 | 5VCHC6JF59H209428 |
| 5VCHC6LEX9H208909 | 5VCHC6LE29H209049 | 5VCHC6KF39H209183 | 5VCHC6JF79H209429 |
| 5VCHC6LE69H208910 | 5VCHC6KF69H209081 | 5VCHC6KF59H209184 | 5VCHC6JF39H209430 |
| 5VCHC6LE89H208911 | 5VCHC6KF89H209082 | 5VCHC6KF79H209185 | 5VCHC6JF59H209431 |
| 5VCHC6LEX9H208912 | 5VCHC6KFX9H209083 | 5VCHC6KF99H209186 | 5VCHC6JF79H209432 |
| 5VCHC6LE19H208913 | 5VCHC6KF19H209084 | 5VCHC6KF49H209208 | 5VCHC6JF19H209460 |
| 5VCHC6LE39H208914 | 5VCHC6KF79H209090 | 5VCHC6KE39H209224 | 5VCHC6LE89H209461 |
| 5VCHC6LE59H208915 | 5VCHC6KF99H209091 | 5VCHC6KE59H209225 | 5VCHC6LEX9H209462 |
| 5VCHC6LE79H208916 | 5VCHC6KF09H209092 | 5VCHC6KE79H209226 | 5VCHC6LE19H209463 |
| 5VCHC6LE99H208917 | 5VCHC6KF29H209093 | 5VCHC6KE99H209227 | 5VCHC6KE09H209472 |
| 5VCHC6LE09H208918 | 5VCHC6KF49H209094 | 5VCHC6KF09H209285 | 5VCHC6KE29H209473 |



SP 7-408-003  
**SERVICE PROGRAM**

January, 2014

- |                   |                   |
|-------------------|-------------------|
| 5VCHC6KE49H209474 | 5VCHC6KE1AH209792 |
| 5VCHC6KE69H209475 | 5VCHC6KE3AH209793 |
| 5VCHC6KF79H209476 | 5VCHC6KE5AH209794 |
| 5VCHC6KF99H209477 | 5VCHC6KE7AH209795 |
| 5VCHC6KF09H209478 | 5VCHC6KE9AH209796 |
| 5VCHC6KF29H209479 | 5VCHC6KE0AH209797 |
| 5VCHC6KF99H209480 | 5VCHC6JFXAH209851 |
| 5VCHC6JF29H209483 | 5VCHC6JF2AH209861 |
| 5VCHC6JF49H209484 | 5VCHC6JF6AH209863 |
| 5VCHC6JF69H209485 | 5VCHC6LE8AH209867 |
| 5VCHC6JF89H209486 | 5VCHC6LEXAH209868 |
| 5VCHC6JFX9H209487 | 5VCHC6LE1AH209869 |
| 5VCHC6JF19H209488 | 5VCHC6LE8AH209870 |
| 5VCHC6JFX9H209490 | 5VCH36HE3AH209915 |
| 5VCHC6JF19H209491 | 5VCH36HE5AH209916 |
| 5VCHC6JF99H209528 | 5VCHC6JFXAH209932 |
| 5VCHC6JF39H209668 | 5VCHC6JF1AH209933 |
| 5VCHC6LEX9H209669 | 5VCHC6JF3AH209934 |
| 5VCHC6LE69H209670 | 5VCHC6KF3AH209978 |
| 5VCHC6LE89H209671 | 5VCHC6JF7AH210066 |
| 5VCHC6LEX9H209672 | 5VCHC6JF3AH210100 |
| 5VCHC6LE99H209680 | 5VCHC6JF5AH210101 |
| 5VCHC6JF59H209736 | 5VCHC6JF7AH210102 |
| 5VCHC6JF79H209737 | 5VCHC6JF9AH210103 |
| 5VCHC6JF99H209738 | 5VCHC6JF0AH210104 |
| 5VCHC6JF09H209739 |                   |
| 5VCHC6KE39H209756 |                   |
| 5VCHC6KE59H209757 |                   |
| 5VCHC6LE29H209763 |                   |
| 5VCHC6KE69H209783 |                   |
| 5VCHC6KE89H209784 |                   |
| 5VCHC6JF5AH209787 |                   |
| 5VCHC6JF7AH209788 |                   |
| 5VCHC6KE1AH209789 |                   |
| 5VCHC6KE8AH209790 |                   |
| 5VCHC6KEXAH209791 |                   |