



INSTRUCTION TO SERVICE

ITS: 5560	
SECTION:	580 Wheelchair Ramp
WRITTEN BY:	Jermie Marasigan
SUBJECT:	Add safety yellow stripe on wheelchair ramp

ITS5560

THIS DOCUMENT AND THE CONTENTS DISCUSSED HEREIN ARE THE CONFIDENTIAL AND PROPRIETARY INFORMATION OF NEW FLYER INDUSTRIES CANADA ULC AND NEW FLYER OF AMERICA INC. AND ARE DISCLOSED BY NEW FLYER IN CONFIDENCE. THIS DOCUMENT AND THE CONTENTS HEREIN ARE NOT TO BE DISCLOSED BY THE INTENDED RECIPIENT WITHOUT THE PRIOR WRITTEN AUTHORIZATION OF NEW FLYER. ANY UNAUTHOIZED DISCLOSURE, REPRODUCTION OR OTHER DISTRIBUTION OF THIS DOCUMENT OR INFORMATION IS STRICTLY PROHIBITED AND MAY RESULT IN ACTION BEING TAKEN AGAINST THE PARTY MAKING THE UNAUTHORIZED DISCLOSURE. THIS DOCUMENT AND ALL COPIES HEREOF MUST BE RETURNED TO NEW FLYER UPON REQUEST.



PROCEDURE:

1. Turn the main battery disconnect switch to the "OFF" position.
2. Wash the Wheelchair ramp with hot water and soap to clean off contaminants.

☞ **NOTE: All surfaces must be clean, dry and free of surface contamination. Remove all deposits and grease using MEK solvent on areas where the Yellow Paint will be applied. Allow 30 minutes flash prior to applying paint.**

3. Mask the surrounding areas where the safety yellow (NF P/N: 379594) will be applied. See Figure 1 to Figure 4 for details.
4. Apply safety yellow paint (NF P/N: 379594) on location shown in Figure 1 to Figure 4.
5. Allow paint to cure properly before sending the bus back to service.
6. Turn the main battery disconnect switch to the "ON" position.

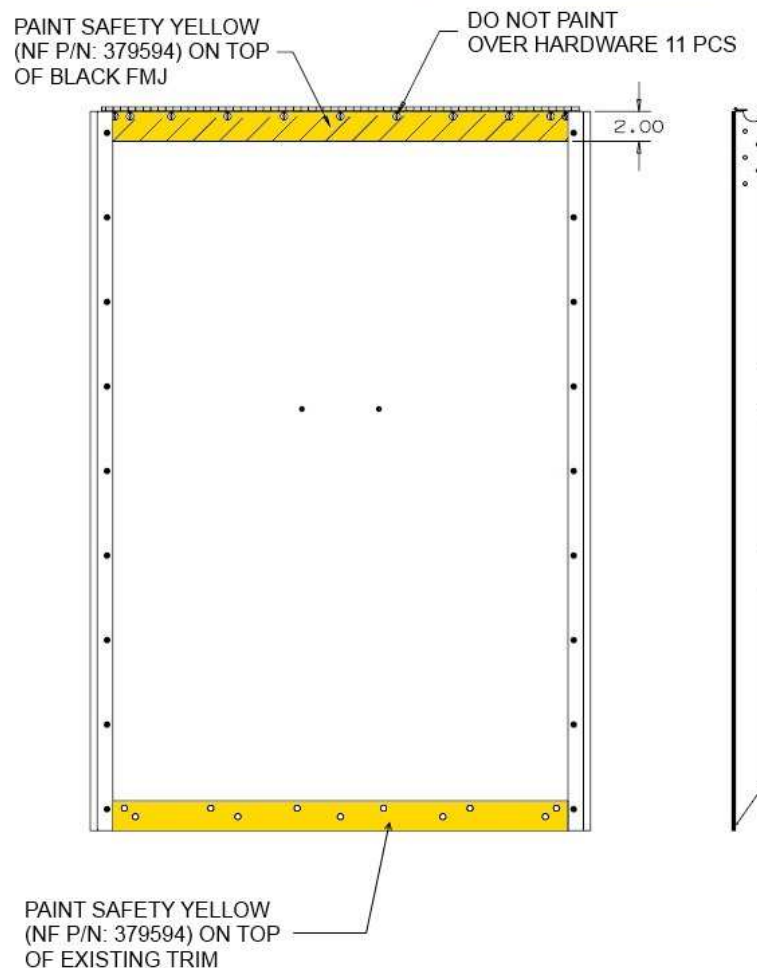
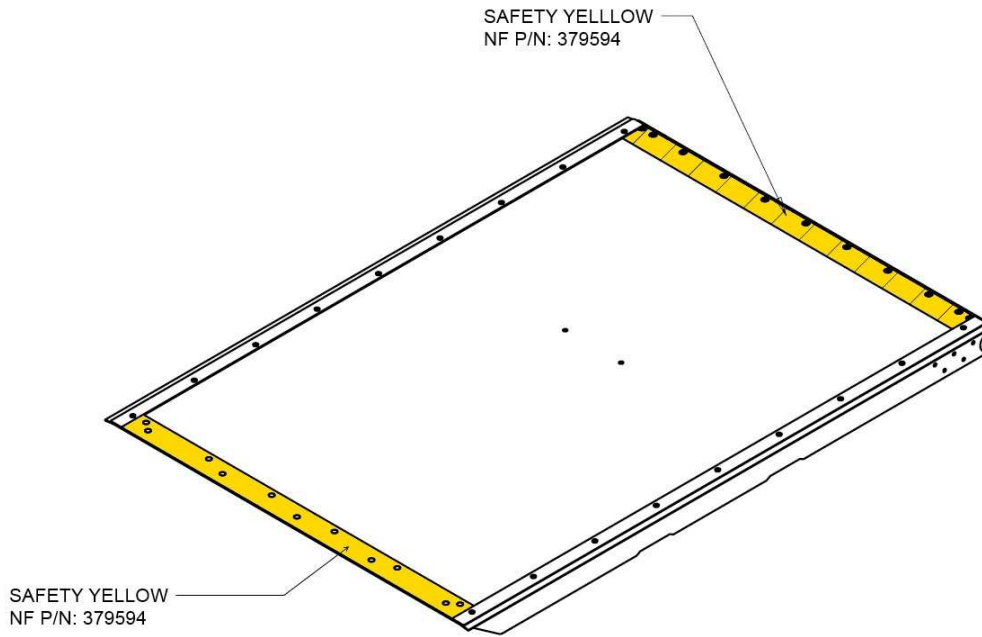
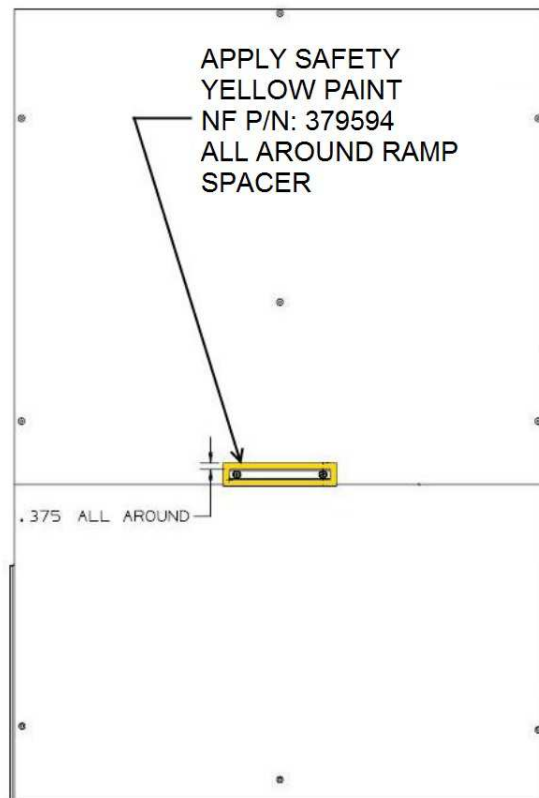


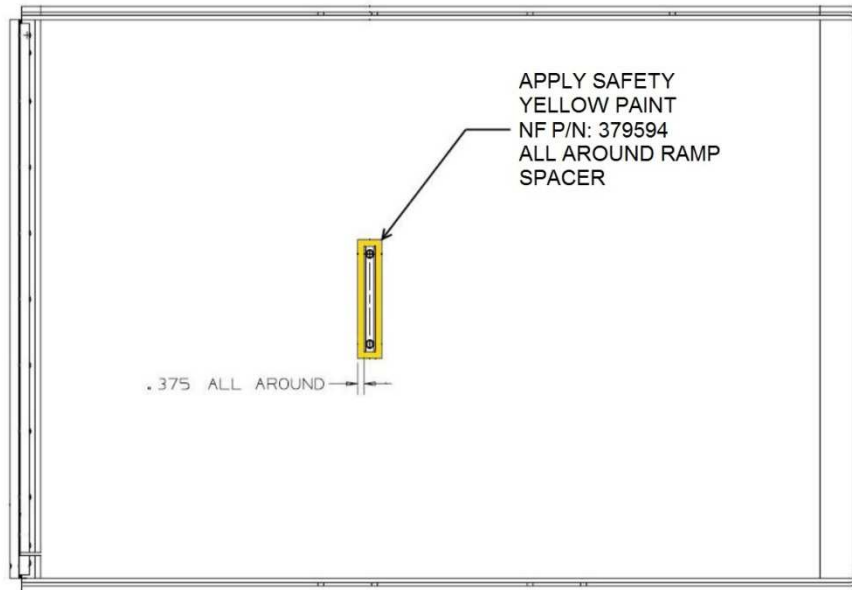
Figure 1: WHEELCHAIR RAMP STOWED SIDE SHOWN



**Figure 2: WHEELCHAIR RAMP STOWED SIDE SHOWN
ISO VIEW REFERENCE**



**Figure 3: YELLOW PAINT ALL AROUND THE
SPACER ON THE RAMP**



**Figure 4: YELLOW PAINT ALL AROUND THE SPACER
ON THE MECHANISM COVER**



NEW FLYER

LABOUR ESTIMATE

	Operation	Men	Hours	Labour Time M X HR
1	Add safety yellow stripe on wheelchair ramp	1	1.0	1.0

PARTS REQUIRED

Item	Part Number	Description	Qty. per Coach	Units	Notes
1	379594	PAINT-YELLOW DUPONT 830645 EF	0.08	EA	