



Date Group No. Release Page
2.2013 **514** **767** **1** 1(4)

SB-10051569-2530

Slack Adjuster Control Arm
GU

PI0767, Slack Adjuster Control Arm

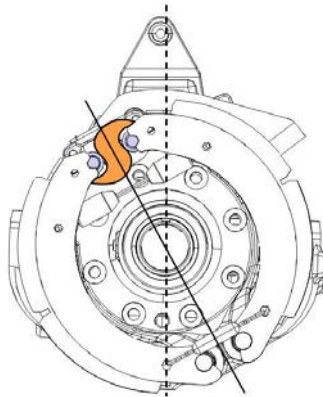
(February 2013)

Certain GU model chassis' equipped with Haldex slack adjusters and Ridewell suspension may exhibit a condition which allows the slack adjuster control arm to make contact with the Ridewell suspension walking beam during steep suspension articulation. The articulation interference is possible only in the unloaded condition. A new brake package and slack adjuster are required to prevent this condition.

Part Number	Description	Quantity
21787288	Brake Assembly, left	1
21787289	Brake Assembly, right	1
21446722	S-ABA Haldex Slack Adjuster	2
7843-3090904	Seal Kit	1
3AX1823PL	Bolt	2
3AX1919PL	Bolt	14
35AX1466	Flat Washer	32
21AX834	Lock Nut	16

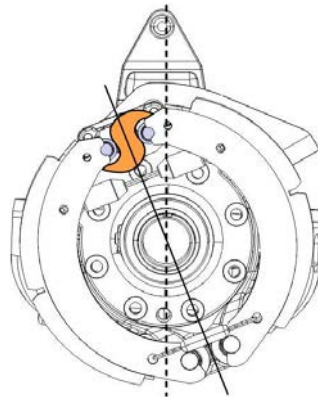
Procedure

You must read and understand the precautions and guidelines in Service Information, group 50, "General Safety Practices, Brakes and Air Systems" before performing this procedure. If you are not properly trained and certified in this procedure, ask your supervisor for training before you perform it.



W5080035

Old geometry

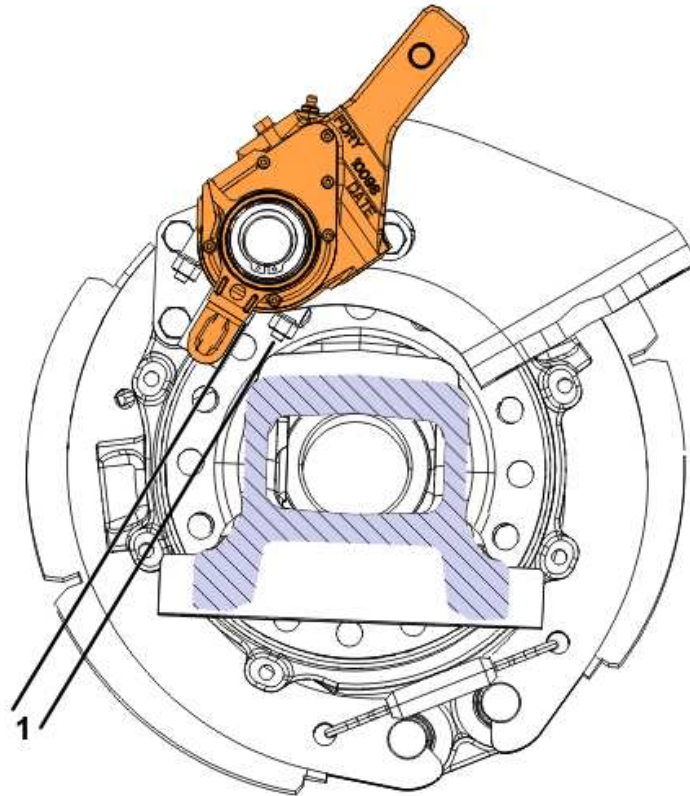


W5080038

New geometry

- 1 Park vehicle on level surface with transmission in neutral with wheels chocked. Apply parking brake and disconnect the batteries.
- 2 Disconnect all cables from the negative (ground) battery terminals to prevent personal injury from electrical shock and prevent damage to electrical components
- 3 Drain air system pressure.
- 4 Lift the rear rear drive and support with jack stands.
- 5 Remove the wheels and tires.
- 6 Cage the spring brakes for the rear rear axle and back off of the brake adjustment.
- 7 Remove the brake drum. Remove the air brake chamber and slack adjuster from the brake assembly.
- 8 Remove the hub assembly. Being careful not to damage the wheel bearings.
- 9 Remove the spider hardware.
Note: Includes removing the wheel speed sensor and dust shield.
- 10 Remove the complete brake assembly.
- 11 Clean the mating surface of the axle and install the new brake assemblies (all parts and quantities, except seal) with all new spider hardware, and torque to 407 ± 41 Nm (300 ± 30 ft-lb).
Note: The new assemblies reorient the spider assembly rearward to provide sufficient clearance between the Slack adjuster control arm and the suspension walking beams.
- 12 Install the air brake chamber, slack adjuster and dust shield.

13



W5080036

1 10–25 mm (0.39–0.98 in.) to axle housing

Rotate the slack adjuster's control arm bracket as needed to provide the orientation and clearance as illustrated. Tighten the control arm bracket U-bolt nuts to 27–41 Nm (20–30 ft-lb).

14 Remove old wheel seal and install a new wheel seal, PN 7843–3090904.

Note: Thoroughly clean spindle and lube both spindle and inside diameter of the new seal before installation.

15 Fill hub cavity with oil. Install the hub and adjust wheel bearings.

16 Remove the old gasket seal from the axle flange and install a new gasket seal.

Note: Includes installing the drive axle shaft and torquing the axle shaft hardware.

17 Install the brake drum.

18 Connect the air lines to the brake chamber.

19 Adjust the brakes to achieve 1/2" of free stroke when actuated manually.

20 Install the wheel and tire. Torque wheel nut to 610 Nm (450 ft-lb).

- 21 Repeat the same procedures for the other side of the axle.
- 22 Remove the jack stands and lower the rear wheels.
- 23 Reconnect all previously removed cables to the negative (ground) battery terminals.

Reimbursement

This repair is covered by an authorized Service Program. Reimbursement is obtained via the normal claim handling process.	
Claim Type (used only when uploading from the Dealer Bus. Sys.)	B
Recall Status	
Vehicle inspected, repair not required	1- Inspected OK
Vehicle repaired per instruction	2- Modified per instruction
Labor Code	
Primary Labor Code	5302C-01-96 3.0 hrs.
Time to take charge and determine campaign status	101AA-0A-00 0.3 hrs.
Causal Part	1QD5111P83
Authorization Number	PI0767
Expiration Date	OCTOBER 31, 2013

Note: Take Charge Time is not included in the Labor Code for this operation. Take charge may be eligible but can only be used once per repair visit. If vehicle is having other warranty repairs performed, take charge should be charged to the warranty repair, otherwise take charge can be charged to this service program.