

SB-10045303-5547



Countries: CANADA, UNITED STATES **Document ID:** IK0800377
Availability: ISIS, FleetISIS **Revision:** 0
Major System: ELECTRICAL SYSTEM **Created:** 7/13/2012
Current Language: English **Last Modified:** 7/16/2012
Other Languages: NONE **Author:** Jim Restemayer
Viewed: 205

[Less Info](#)

Hide Details

Coding Information

Copy Link 	Copy Relative Link 	Bookmark View My Bookmarks	Add to Favorites 	Print 	Provide Feedback 	Helpful 2	Not Helpful 0
----------------------	-------------------------------	--	-----------------------------	------------------	-----------------------------	-------------------------	-----------------------------

Title: Air Horn Broken Off

Applies To: LoneStar model built with a single Air Horn Feature Code 0008WCL between May 11, 2011 through July 12, 2012

DESCRIPTION

A limited number of LoneStar units have been identified to have been built with the mounting bracket mounted on the wrong side of the crossmember and air horn may be mounted on the lower side of the mounting bracket. This could allow the horn to contact the front axle during normal operation of the vehicle generally resulting in extensive damage to the air horn assembly

SYMPTOMS

- Air Horn not functioning
- Air Horn Severely Damaged or Completely Broken Off

PARTS INFORMATION

Part #	Description	Qty.
3791174C2	Horn Assembly	1

TROUBLESHOOTING

1. Inspect mounting bracket to verify that bracket is mounted to the inside of the crossmember as pictured
2. Inspect Air Horn Mounting to be sure horn is mounted on top of the bracket.

RESOLUTION

Install bracket so that it is mounted to the inside of the crossmember and horn assembly is mounted on top of the bracket

OTHER RESOURCES

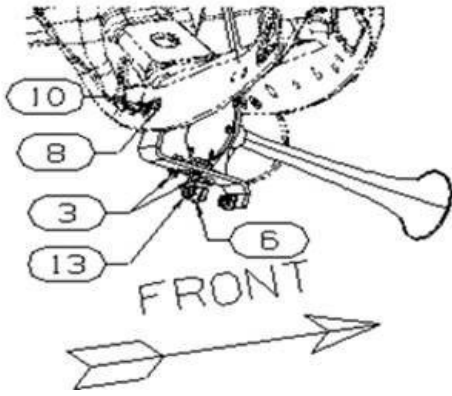
Wrong Bracket Installation

Correct Bracket Installation



Correct Horn Installation

Wrong Installation



 Hide Details

Feedback Information

Viewed: 204
Helpful: 2
Not Helpful: 0

No Feedback Found