	Countries - CANADA, UNITED STATES, MEXICO Availability: ISIS, FleetISIS Major System: ELECTRICAL SYSTEM Other Language Availability: English Average Rating:  Number of Ratings:15	<b>Doc ID: IK0800298</b> Language: English Revision: 1.00 Created: 8/17/2011 Last Modified: 8/23/2011 Used: 161 Author: Eddie Panozzo
	Rate this Article: <a href="#">Provide Article Feedback</a> Was this document helpful? <a href="#">Yes</a> <a href="#">No</a> <a href="#">Bookmark</a> <a href="#">Print</a>	

**Title:**  
Headlight Harness Incorrect Install

**Applies To:**  
Model TranStar 8600

**DESCRIPTION**

Harness of headlight may be installed in the wrong location under the hood on TranStar 8600 models. This could cause interference between the heat exchanger and torsion bar when the of the hood is closed, which can lead to premature failure of either headlight interconnect.

**SYMPTOMS**

- Intermittent or nonoperational headlight bulb.
- Body Controller Fault Codes: 2653 RH Low Beam, 2655 LH Low Beam, 4011 LH High Beam, or 4012 RH High Beam

**TROUBLESHOOTING**

- 1 . Locate the connector as shown on the right side of the hood.
2. Inspect for the proper location.

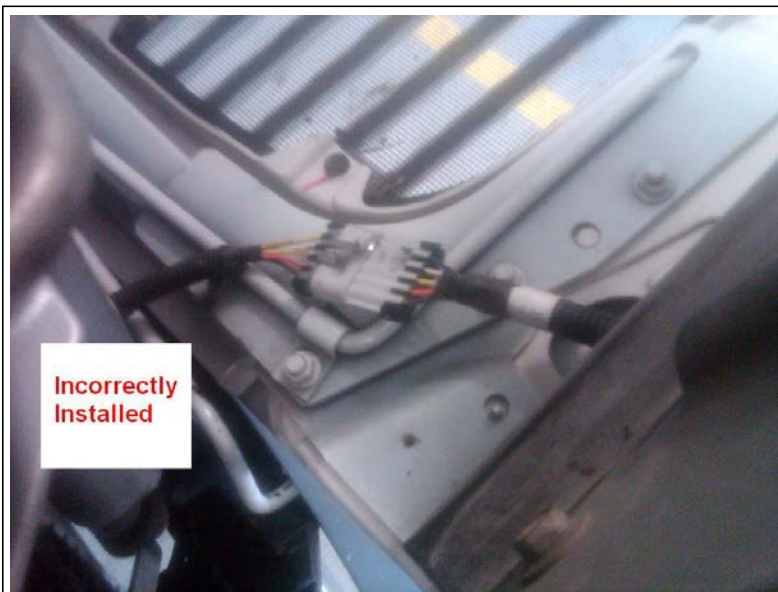


Figure 1: Incorrectly Installed



Figure 2: Correctly Installed

## RESOLUTION

1. Inspect the wiring and connector for damage.
2. If damage is found - Repair the damaged wires or connector.
3. Move the connector to the correct location.

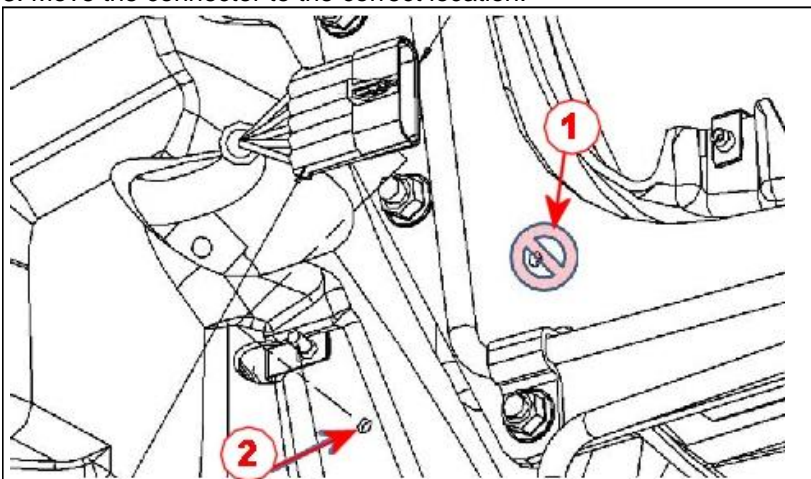


Figure 3: Move connector

1. Incorrect position
2. Correct position

### Feedback on this Article

(Hide Details)



**Viewed:** 162 (this is the # of times that an article was opened)

**Used:** 161 (this is the # of times that someone answered "Yes" the article did help them or it was attached to a case file)

**No's:** 39 (this is the # of times that someone answered "No" the article did not help them)

Average Rating:

Number of  
Ratings: 15

Feedback Comments

There are no feedback comments on this article yet.