

FLA COE
FLB COE
FLD Conventional
Business Class

FLC 112 Conventional
> Century Class Conventional
Argosy COE
Cargo

> Columbia
112SD and Coronado
Business Class M2
> Cascadia

Freightliner
Service Bulletin

Description of Revisions: *This bulletin replaces the version dated May 2011. A step is added for installing a new PNDB.*

General Information

The 3-fuse MEGA Fuse Junction Block (MFJB) on most Century Class, Cascadia, and Columbia vehicles can be replaced with a "de-populated" service version of the Power Net Distribution Box (PNDB). See [Fig. 1](#). Use the instructions in this bulletin to make this modification.

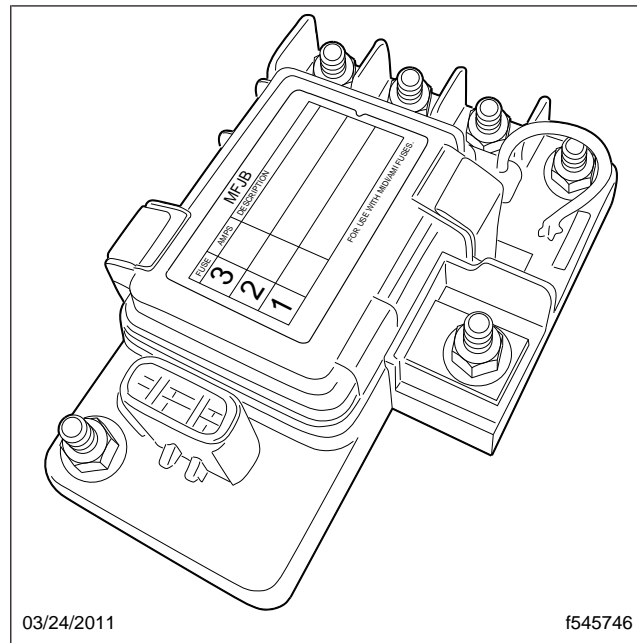


Fig. 1, Service PNDB/Bracket Assembly

Retrofit Instructions

1. Chock the tires and disconnect the batteries at the negative terminals. If the vehicle has an auxiliary battery system, disconnect these batteries.
2. If the vehicle is equipped with side fairings, remove the forward driver side fairing to access the MFJB. See [Fig. 2](#).
3. Attach labels on each MEGA fuse cable noting the amperage and circuit function. See [Fig. 3](#).
4. Remove the MEGA fuse junction block.

NOTE: If the cables are corroded, a mild solution of baking soda and water can be used for cleaning. If the cable end is severely corroded, it may be necessary to replace the terminal.

5. Install the PNDB-Adapter bracket assembly (p/n BSY 880096001A). Use the same mounting holes that were used for the MFJB.
6. Note the fuse amperage and location on the fuse cover with a permanent marker. See [Fig. 4](#).
7. Position the PNDB on the mounting bracket, and attach the two mounting nuts.

Freightliner Service Bulletin

FLA COE
FLB COE
FLD Conventional
Business Class

FLC 112 Conventional
> Century Class Conventional
Argosy COE
Cargo

> Columbia
112SD and Coronado
Business Class M2
> Cascadia

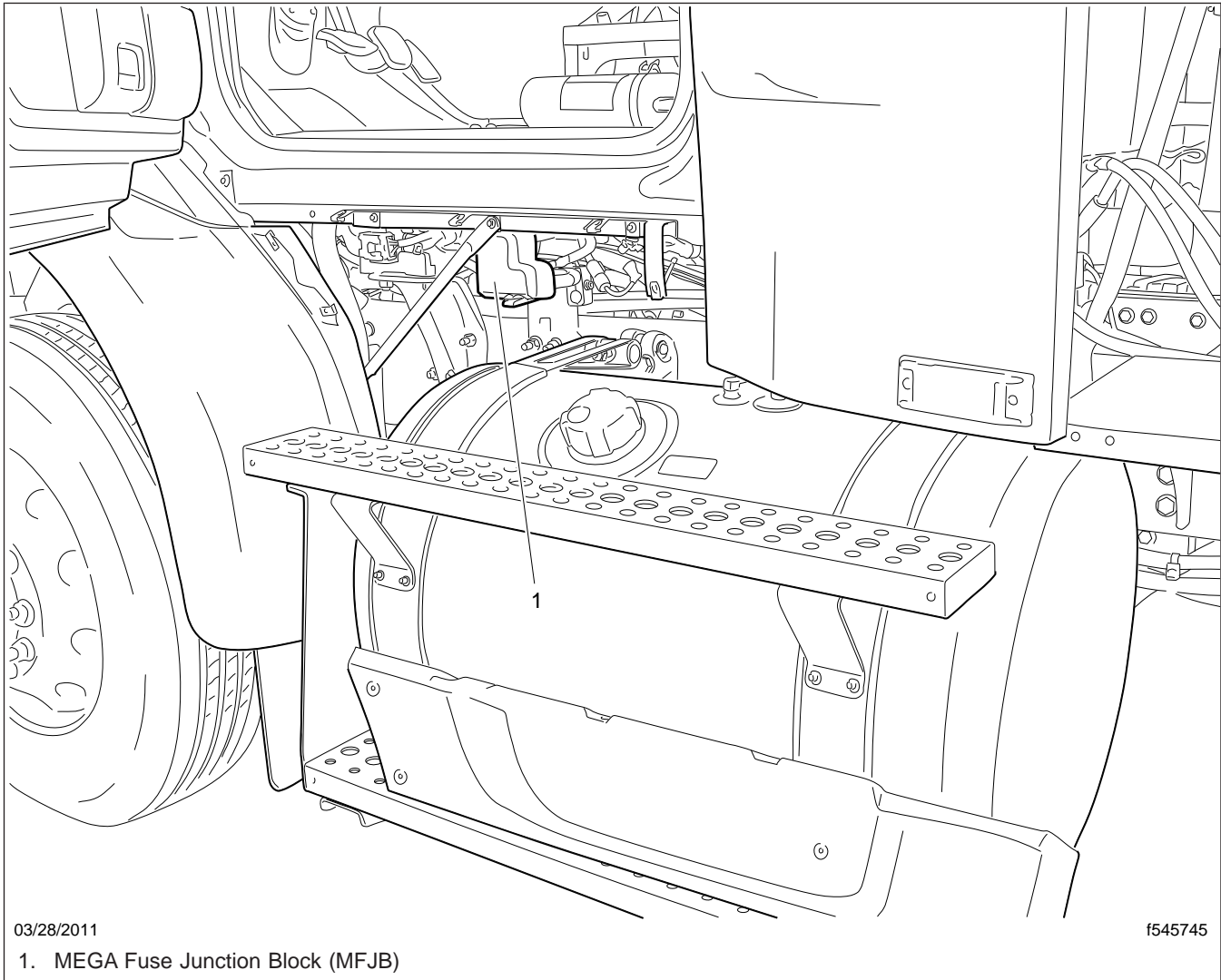


Fig. 2, Side Fairing Removed to Access MFJB

8. Install the correct amperage MIDI fuses in the PNDB for each circuit. Secure the fuse cover in place. See [Table 1](#).

FLA COE
 FLB COE
 FLD Conventional
 Business Class

FLC 112 Conventional
 > Century Class Conventional
 Argosy COE
 Cargo

> Columbia
 112SD and Coronado
 Business Class M2
 > Cascadia

**Freightliner
 Service Bulletin**

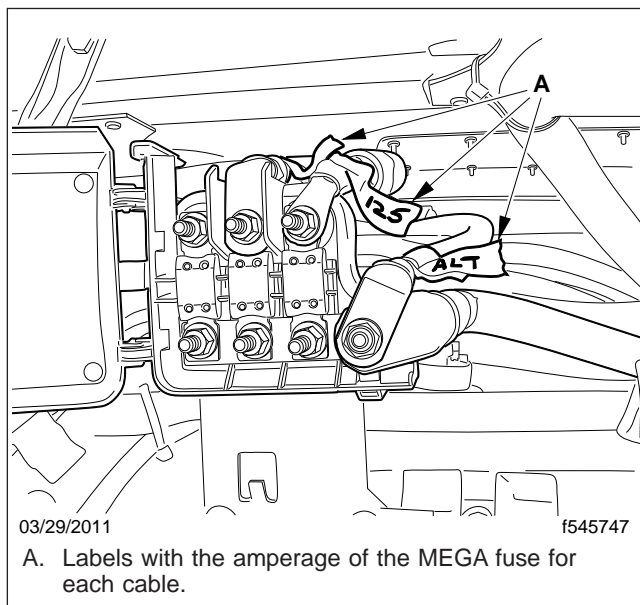


Fig. 3, Labeled Cables on the MFJB

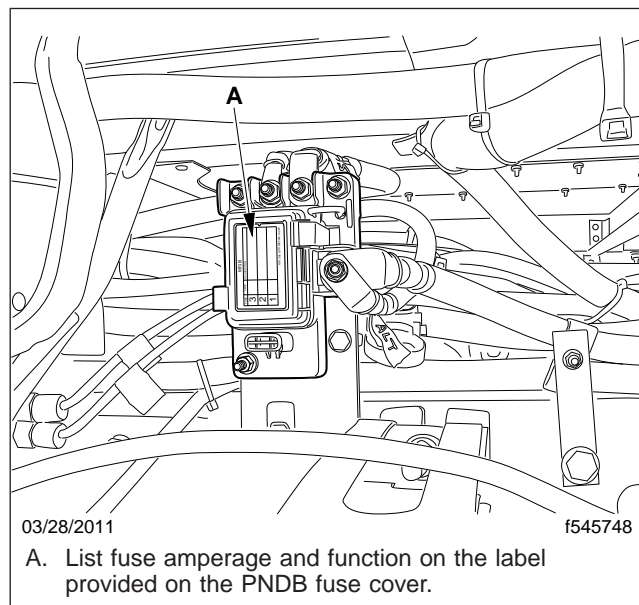


Fig. 4, PNDB Installed with New Fuses

Fuse Part Numbers	
MIDI Fuse	DTNA Part Number
100 Amp	23-13648-100
125 Amp	23-13648-125
150 Amp	23-13648-150
175 Amp	23-13648-175
200 Amp	23-13648-200

Table 1, Fuse Part Numbers

9. Connect the battery cables.
10. Install side fairing panels, if removed.

Warranty

This procedure is warrantable only if the described condition exists and the repair is performed within the applicable base or extended coverage warranty period. If a failure is not found, this procedure is considered preventive and warranty does not apply.

Normal warranty applies. See [Table 2](#) for QuickClaim damage code and labor allowance information. Refer to this service bulletin by number at the beginning of the claim comments. See [Table 3](#) for OWL VMRS codes and labor allowance information. Enter this service bulletin number in the *Service Bulletin #:* field.

Freightliner Service Bulletin

FLA COE
FLB COE
FLD Conventional
Business Class

FLC 112 Conventional
> Century Class Conventional
Argosy COE
Cargo

> Columbia
112SD and Coronado
Business Class M2
> Cascadia

QuickClaim Damage Code and Labor Allowance			
Damage Code	SRT Code	Description	Time: Hours
285-001A03690	285-5020A	Fuse Block, MEGA to PNDB, Clean and Replace	0.4

Table 2, QuickClaim Damage Code and Labor Allowance

OWL VMRS Codes and Labor Allowance				
Component Code	Cause Code	SRT Code	Description	Time: Hours
034-004-273	35	285-5020A	Fuse Block, MEGA to PNDB, Clean and Replace	0.4

Table 3, OWL VMRS Codes and Labor Allowance