

TECHNICAL BULLETIN
LTB00662NAS1
03 JUN 2014



© Jaguar Land Rover North America, LLC

NOTE: The information in Technical Bulletins is intended for use by trained, professional Technicians with the knowledge, tools, and equipment required to do the job properly and safely. It informs these Technicians of conditions that may occur on some vehicles, or provides information that could assist in proper vehicle service. The procedures should not be performed by 'do-it-yourselfers'. If you are not a Retailer, do not assume that a condition described affects your vehicle. Contact an authorized Land Rover service facility to determine whether this bulletin applies to a specific vehicle.

SECTION: 501-00

Fixed Side Step 'Rattle' Noise

AFFECTED VEHICLE RANGE:

Range Rover (LG)

Model Year: 2013 Onwards

VIN: DA001204 Onwards

MARKETS:

NAS

CONDITION SUMMARY:

Situation: A 'rattle' noise may be evident from the fixed side steps.

Cause: This may be caused by incorrect material used.

Action: Should a customer express this concern, follow the Service Instruction outlined below.


PARTS:

VPLGP0230 Fixed Side Step Replacement Kit Quantity: 1

TOOLS:

Refer to Workshop Manual for any required special tools.

WARRANTY:

 **NOTE: Repair procedures are under constant review, and therefore times are subject to change; those quoted here must be taken as guidance only. Always refer to TOPIx to obtain the latest repair time.**

 **NOTE: DDW requires the use of causal part numbers. Labor only claims must show the causal part number with a quantity of zero.**

DESCRIPTION	SRO	TIME (HOURS)	CONDITION CODE	CAUSAL PART
Remove and install Fixed Side Steps and rivet replacement	06.20.89/29	0.7	5	VPLGP0114

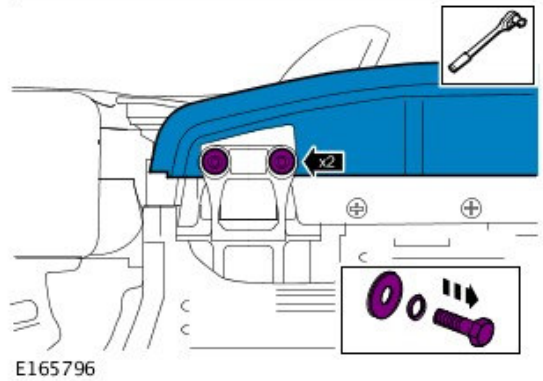
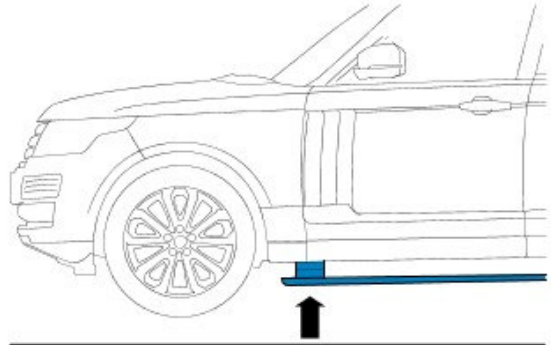
 **NOTE: Normal Warranty policies and procedures apply.**

SERVICE INSTRUCTION:

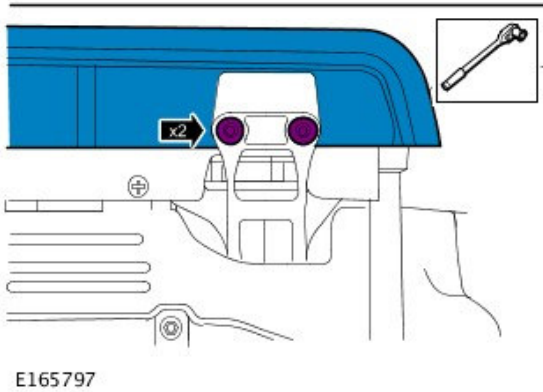
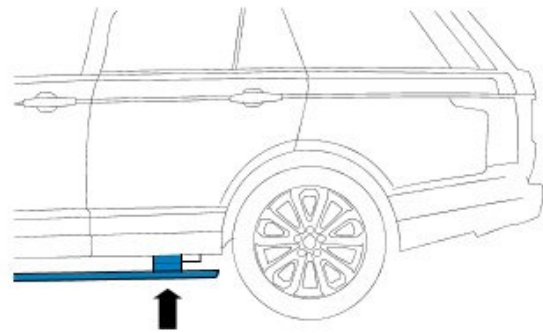
-  **WARNING: Do not work on or under a vehicle supported only by a jack. Always support the vehicle on safety stands.**

Raise and support the vehicle on a four-post lift (see TOPIx Workshop Manual, section 100-02).

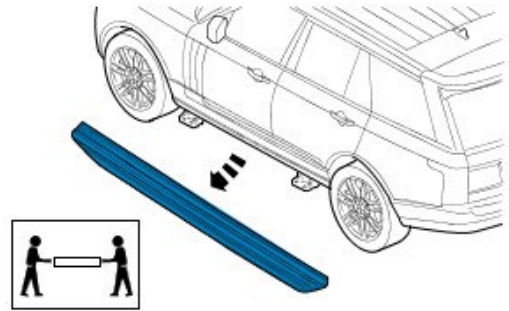
- Remove the left-hand side step retaining bolts.



2. Remove the side step rear retaining bolts.

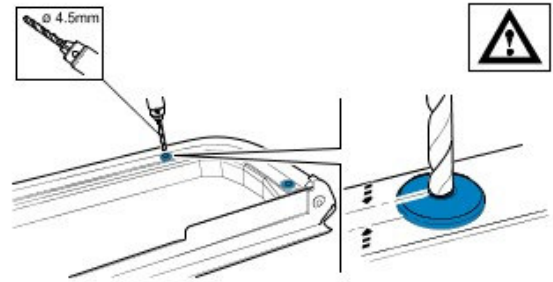


3. With assistance, remove fixed side step.



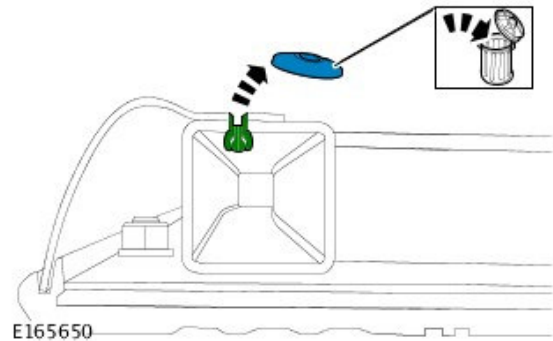
E165647

4. Use a suitable drill, remove the 10 rivets.



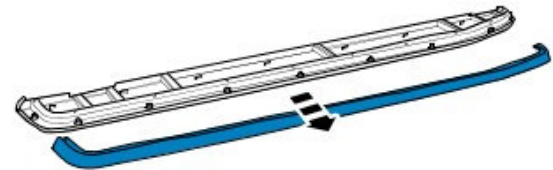
E165649

5. Discard the 10 rivet heads.



E165650

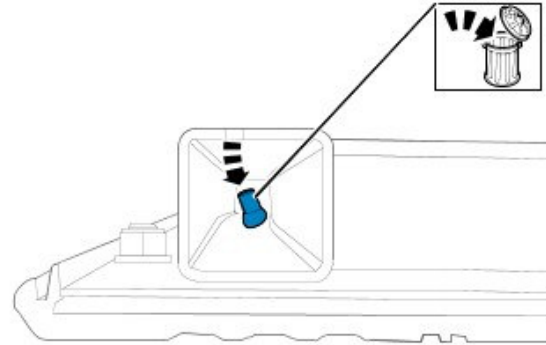
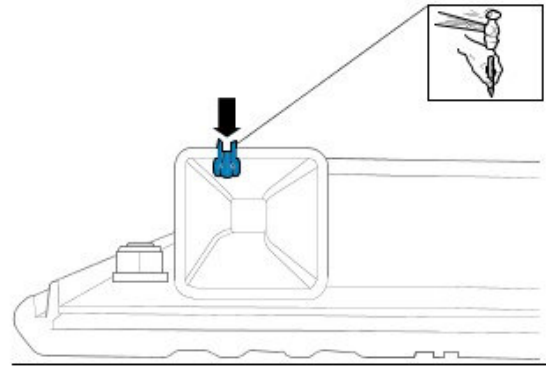
6. Remove the side step trim.




E165652

7.  **NOTE: Make sure all the rivets are removed from the side step; failure to perform this may cause a rattle.**

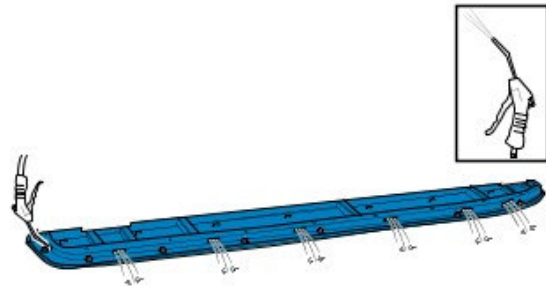
Remove and discard the rest of the 10 rivet inserts.




E165653

8.  **NOTE: Make sure all the rivets are removed from the side step; failure to perform this may cause a rattle.**

Using a suitable tool, remove all the excess material from the rivet removal.



E165654

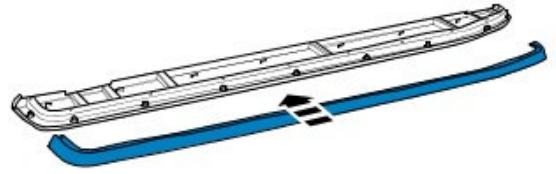
9.  **NOTE: Make sure all the rivets are removed from the side step; failure to perform this may cause a rattle.**

Shake the side step to make sure there is no material inside the step after drilling.



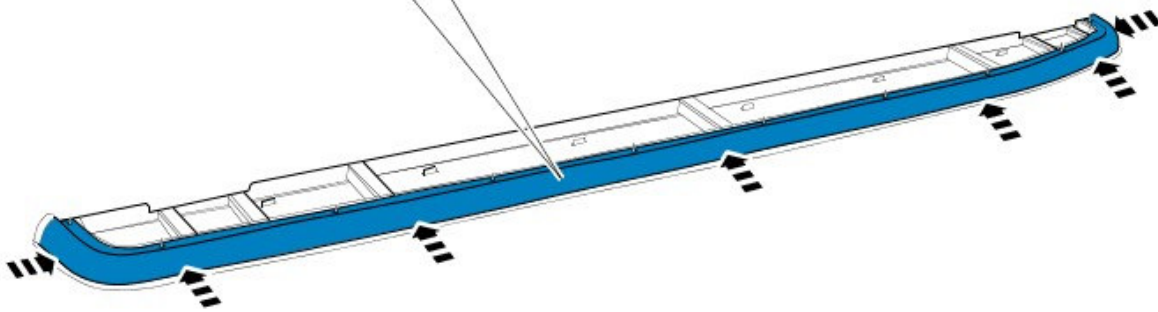
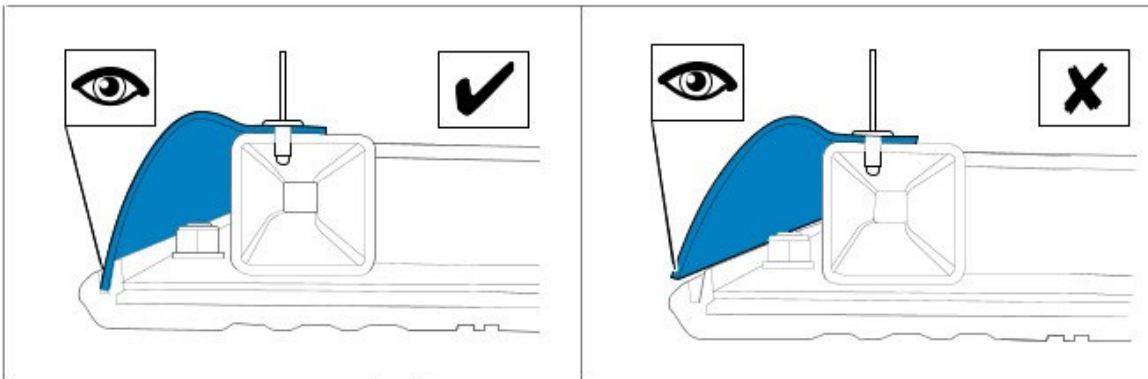
E165655

10. Install the side step trim.



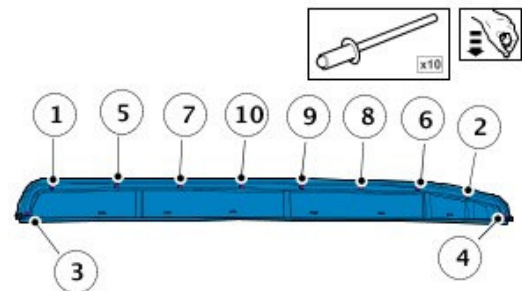
E165656

11. Locate the side step trim into the correct position.



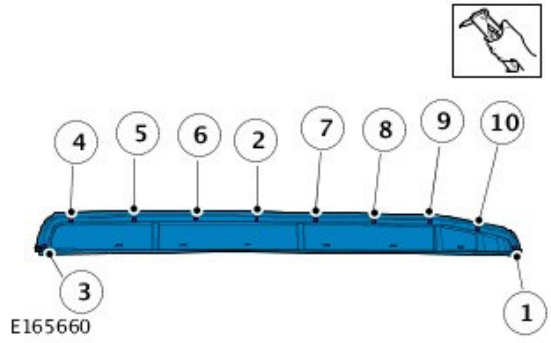
E165659

12. Locate the side step rivets in the order shown.

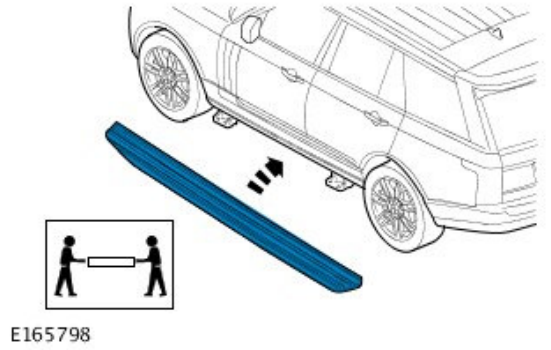


E165658

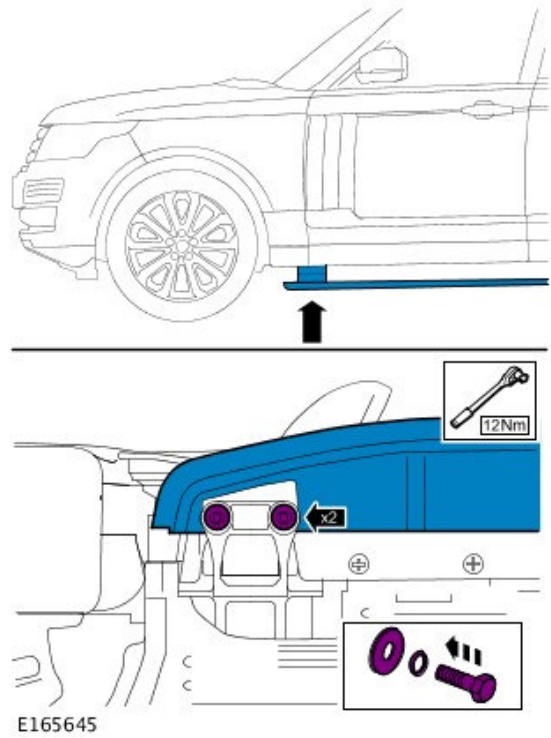
13. Install the new rivets in the order shown.



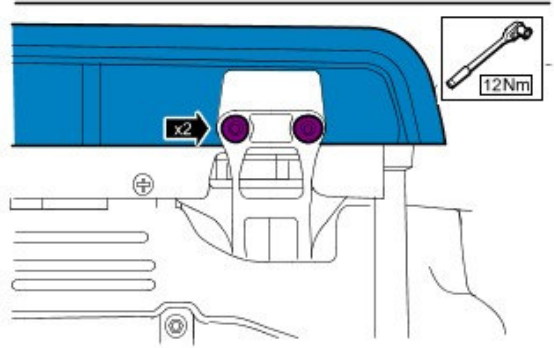
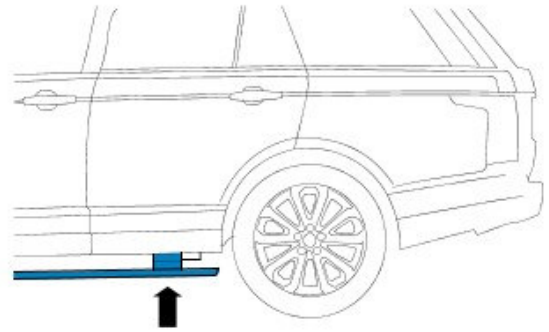
14. With assistance, install the side step.



15. Install the side step retaining bolts.

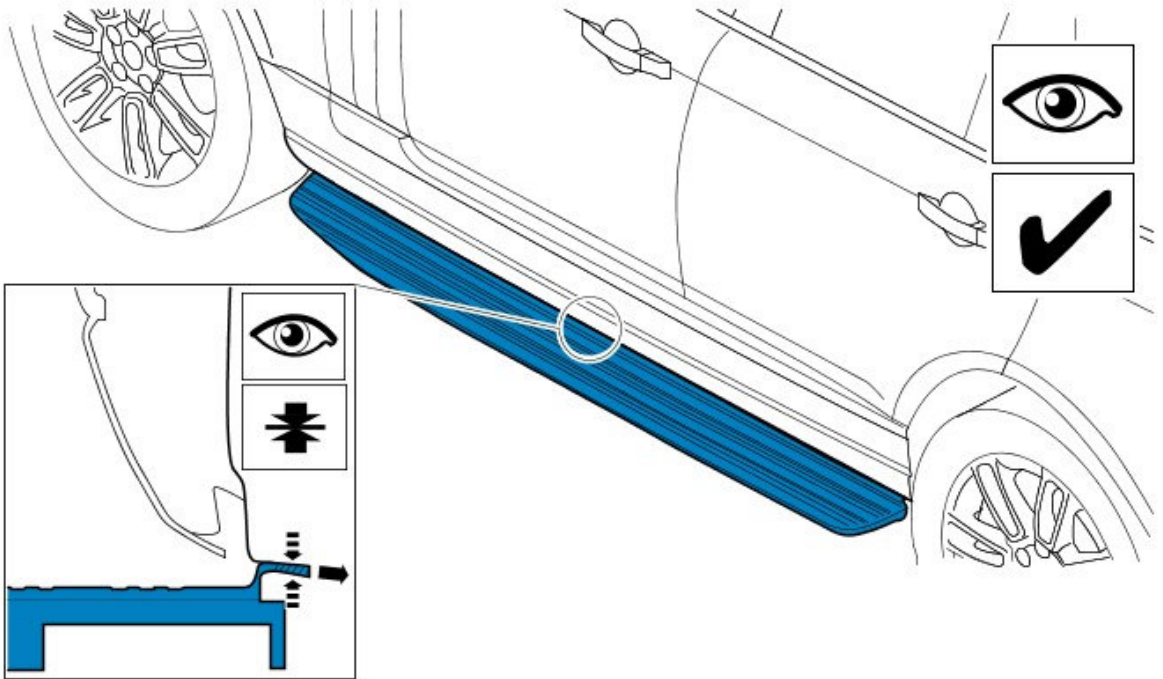


16. Install the side step retaining bolts.



E165646

17. Check the side step is installed and aligned correctly



E165661

18. Repeat steps 2-17 to the right-hand fixed side step.

19. Lower the vehicle.