

TECHNICAL BULLETIN  
JTBO0339NAS2  
28 APR 2014



© Jaguar Land Rover North America, LLC

NOTE: The information in Technical Bulletins is intended for use by trained, professional Technicians with the knowledge, tools, and equipment required to do the job properly and safely. It informs these Technicians of conditions that may occur on some vehicles, or provides information that could assist in proper vehicle service. The procedures should not be performed by 'do-it-yourselfers'. If you are not a Retailer, do not assume that a condition described affects your vehicle. Contact an authorized Jaguar service facility to determine whether this bulletin applies to a specific vehicle.

**This reissue replaces all previous versions. Please destroy all previous versions. Only refer to the electronic version of this Technical Bulletin in TOPIx.**

Changes are highlighted in gray

**SECTION: 501-14**

'Hood Open' Message Displayed on Instrument Cluster

**AFFECTED VEHICLE RANGE:**

**XJ Range (X351)**

<b>Model Year:</b>	2012-2014
<b>VIN:</b>	V22230-V62119

**MARKETS:**

NAS

**CONDITION SUMMARY:**

**Situation:** A 'Hood Open' message may be displayed on the Instrument Cluster.

**Cause:** This may be caused by a faulty hood open switch

**Action:** Should a customer express this concern, follow the Service Instruction outlined below.

**PARTS:**

C2D35424	Hood Latch	Quantity: 1
----------	------------	-------------

**TOOLS:**

No Tools Required

**WARRANTY:**

 **NOTE: Repair procedures are under constant review, and therefore times are subject to change; those quoted here must be taken as guidance only. Always refer to TOPIx to obtain the latest repair time.**

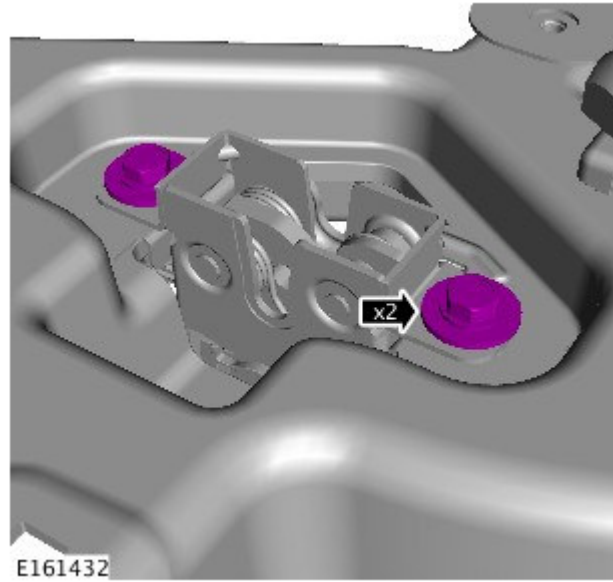
 **NOTE: DDW requires the use of causal part numbers. Labor only claims must show the causal part number with a quantity of zero.**

DESCRIPTION	SRO	TIME (HOURS)	CONDITION CODE	CAUSAL PART
Hood open switch / latch - Renew	<b>86.65.99</b>	0.3	42	C2D5991

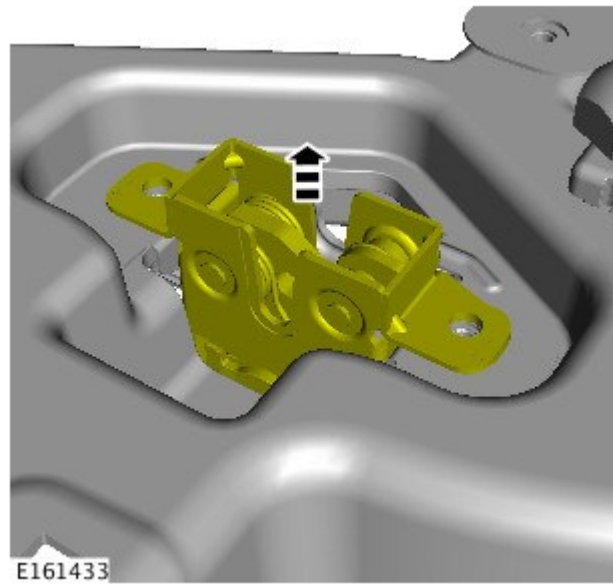
 **NOTE: Normal Warranty policies and procedures apply.**

**SERVICE INSTRUCTION:**

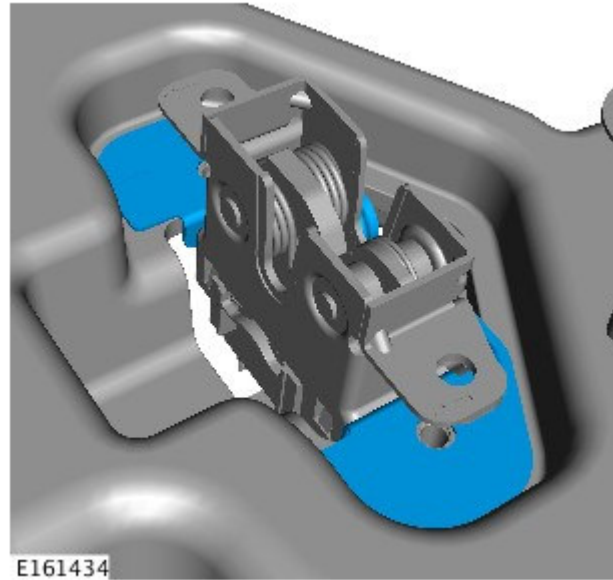
1. Open the hood.
2. Remove the two bolts from the left-side hood latch.



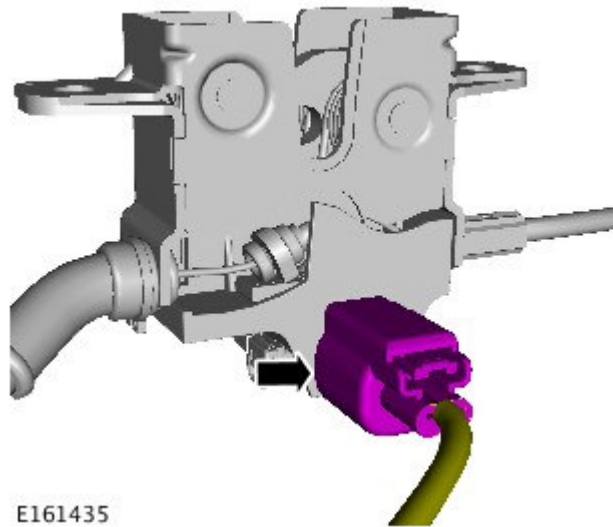
3. Lift the left-side hood latch upwards to allow access to the spacer.



4. Remove the spacer.

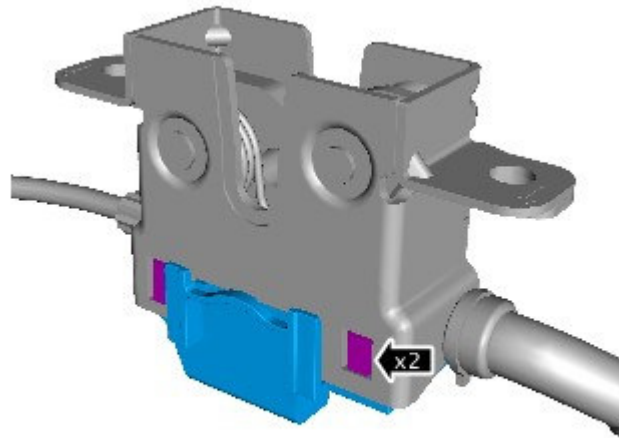


5. Disconnect the electrical connector.



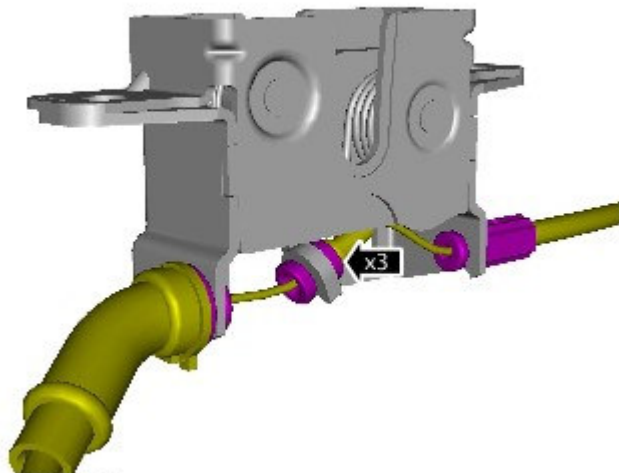
6. Remove the switch:

- Release the two clips.



E161436

7. Release the hood cable.



E161437

8.  **NOTE: The hood open switch element is integrated into the new latch assembly.**

Install a new left-side hood latch:

- To install, reverse the removal procedure.
- Tighten the two bolts; torque to 10Nm.