

TECHNICAL BULLETIN
JTB00331NAS1
04 FEB 2014



© Jaguar Land Rover North America, LLC

NOTE: The information in Technical Bulletins is intended for use by trained, professional Technicians with the knowledge, tools, and equipment required to do the job properly and safely. It informs these Technicians of conditions that may occur on some vehicles, or provides information that could assist in proper vehicle service. The procedures should not be performed by 'do-it-yourselfers'. If you are not a Retailer, do not assume that a condition described affects your vehicle. Contact an authorized Jaguar service facility to determine whether this bulletin applies to a specific vehicle.

SECTION: 501-00

Door Adjustment Incorrect

AFFECTED VEHICLE RANGE:

F-TYPE (X152)

Model Year: 2014

VIN: K00001-K08832

MARKETS:

NAS

CONDITION SUMMARY:

Situation: One door may appear to be out of adjustment when compared to the other door. The design intent is for both doors to sit 'proud' of the rocker panel.

Cause: This may be caused by the left door being adjusted too far inboard while the right door is adjusted to the design intent.

Action: Should a customer express this concern, follow the Service Instruction outlined below.

PARTS:

No Parts Required

TOOLS:

No Tools Required

WARRANTY:

 **NOTE: Repair procedures are under constant review, and therefore times are subject to change; those quoted here must be taken as guidance only. Always refer to TOPIx to obtain the latest repair time.**

 **NOTE: DDW requires the use of causal part numbers. Labor only claims must show the causal part number with a quantity of zero.**

DESCRIPTION	SRO	TIME (HOURS)	CONDITION CODE	CAUSAL PART
Left door - Adjust	76 28 06	0.3	07	T2R11265
Left fender - Adjust	76 96 19	0.8	07	T2R11265
Left window - Adjust	76 31 03	0.3	07	T2R11265

 **NOTE: Normal Warranty policies and procedures apply.**

SERVICE INSTRUCTION:

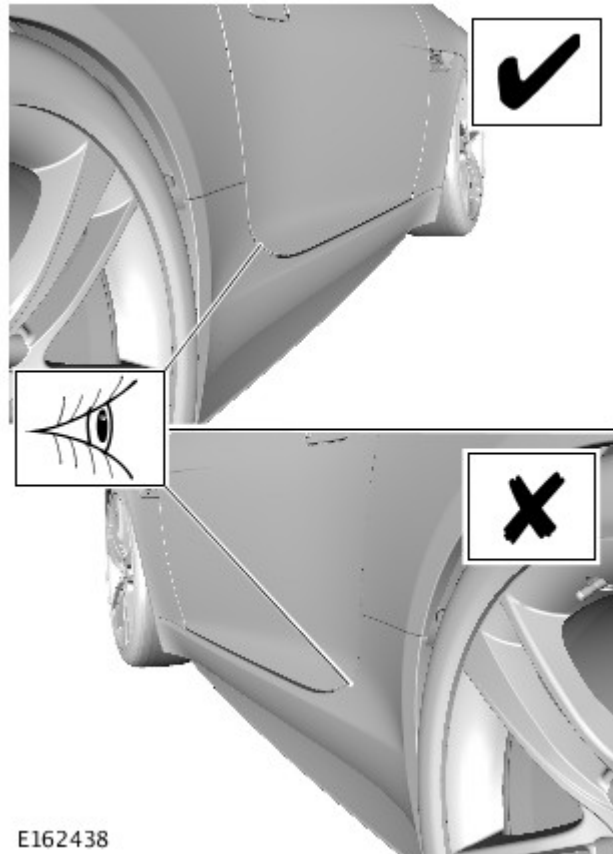
 **NOTE: Some components shown removed for clarity.**



NOTE: Removal steps in this procedure may contain installation details.

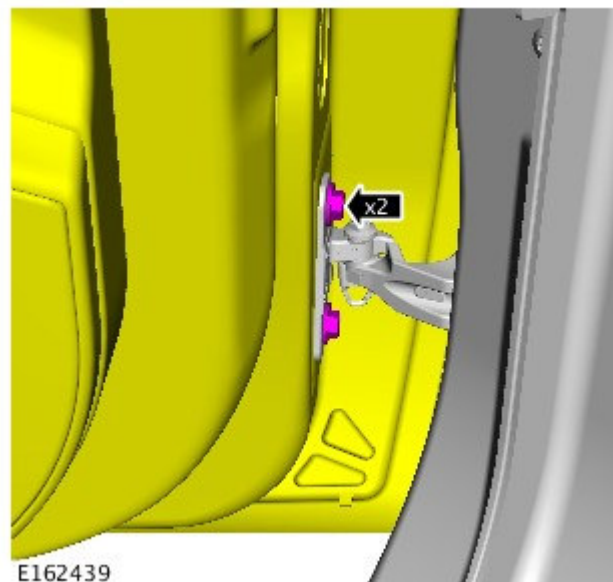
1. Both doors should be aligned so the door is proud of the rocker panel in the area shown.

- If the left door is not aligned proud of the rocker panel, continue to the following step(s) to adjust as necessary to match the right door.



2. Loosen the lower hinge bolts on the left door:

- Move the door outwards by 1mm;
- Tighten the bolts; torque to 30Nm;
- Check door / rocker panel alignment.



3. If the door striker drags, loosen the striker bolts; and adjust the striker as required.

- Loosen the striker bolts;
- Adjust the striker as necessary;

- Tighten the striker bolts; torque to 9Nm.

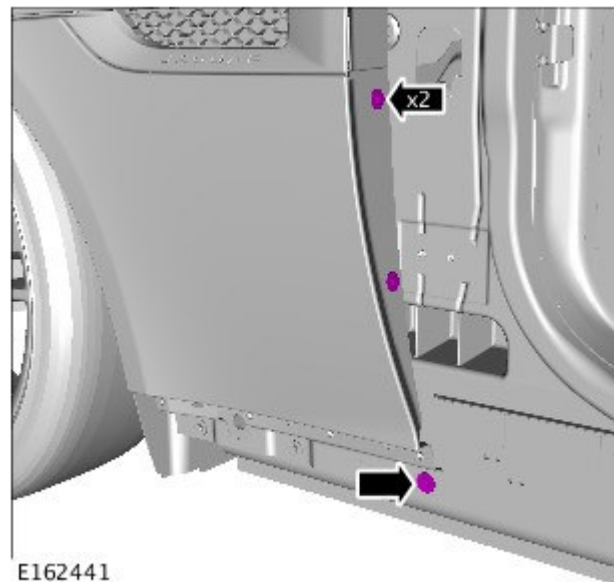


4. Check the alignment of the door to the front fender.

- If the fender requires adjustment remove the rocker panel (see TOPIx Workshop Manual section 501-08);
- Continue to the next step to adjust the door / fender alignment.

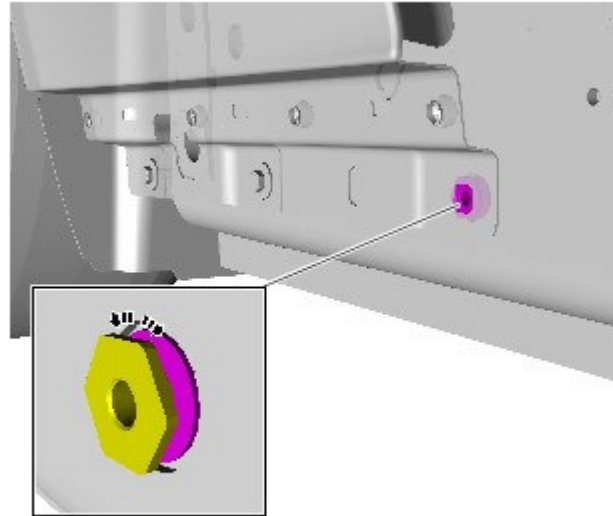
5. Loosen the two upper fender bolts.

- Remove the lower fender bolt.



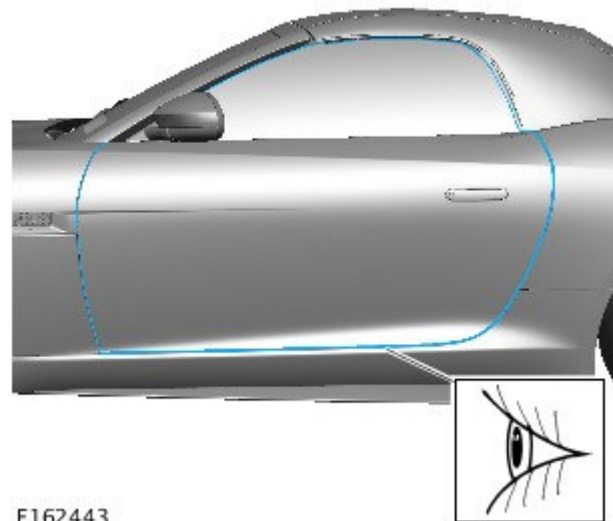
6. Adjust the fender alignment on the lower threaded insert:

- Check door alignment to fender.
 - If satisfactory, install the fender bolts and rocker panel (see TOPIx Workshop Manual section 501-08); torque to 9Nm.
 - If not satisfactory, repeat this step until the door alignment to fender is satisfactory.



E162442

- 7. Check alignment and operation of door and window (see TOPIx Workshop Manual, section 501-26: Vehicle Specific Information and Tolerance Checks, Description and Operation for further information).



E162443