

# Technical Service Bulletin



## 19 Coolant leak in engine compartment

19 14 52 2028574/3 August 18, 2014. Supersedes Technical Service Bulletin Group 19 number 13-34 dated February 5, 2013 for reasons listed below.

Model(s)	Year	VIN Range	Vehicle-Specific Equipment
A8	2011	All	4.2 FSI
A8	2012	000001 - 012090	4.2 FSI

## Condition

REVISION HISTORY		
Revision	Date	Purpose
3	-	Revised <i>Warranty</i> (Updated Labor Operations)
2	2/5/2013	Revised <i>Warranty</i> (Corrected error in Labor Operations code)
1	1/26/2012	Original publication

- Coolant level warning light on.
- Coolant loss in the engine compartment.
- Smell of evaporated coolant from engine compartment.

## Technical Background

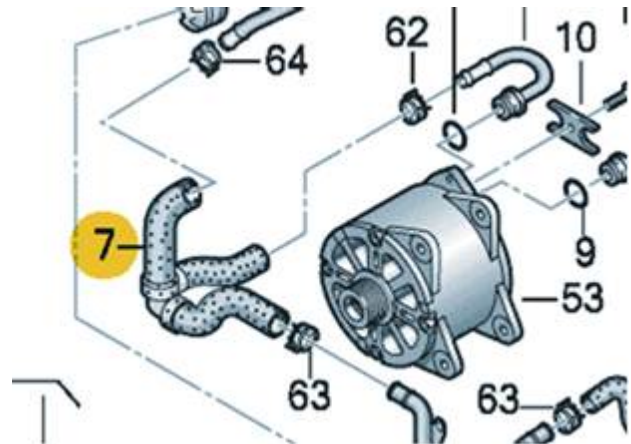
This condition may be caused by a leak on the tee connector hose located in the coolant pipe, between alternator, coolant pipe, and oil cooler.

## Production Solution

Optimized parts fitted in production.

## Service

1. Pressurize cooling system.
2. Check the tee connector hose (part number **079121448**) (Figure 1) in the coolant circuit for leaks. Replace if necessary.



**Figure 1.** Connector hose (7).

## Warranty

<b>Claim Type:</b>	Use applicable claim type. If vehicle is outside any warranty, this Technical Service Bulletin is informational only.		
<b>Service Number:</b>	1962		
<b>Damage Code:</b>	0050		
<b>Labor Operations:</b>	Pressure test and check tee connector hose visually for leak	1901 0100	20 TU
	Replace coolant hose	1962 5599	190 TU
<b>Diagnostic Time:</b>	GFF	No allowance	0 TU
	Road test prior to service procedure	No allowance	0 TU
	Road test after service procedure	No allowance	0 TU
	Technical diagnosis at dealer's discretion (Refer to Section 2.2.1.2 and Audi Warranty Online for DADP allowance details)		
<b>Claim Comment:</b>	As per TSB #2028574/3		

All warranty claims submitted for payment must be in accordance with the *Audi Warranty Policies and Procedures Manual*. Claims are subject to review or audit by Audi Warranty

# Technical Service Bulletin



## Required Parts and Tools

Part Number	Part Description	Quantity
079121448	Coolant hose	1

## Additional Information

All parts and service references provided in this TSB (2028574) are subject to change and/or removal. Always check with your Parts Department and service manuals for the latest information.