

TECHNICAL BULLETIN
K250NAS1
15 OCT 2014



© Jaguar Land Rover North America, LLC

NOTE: The information in Technical Bulletins is intended for use by trained, professional Technicians with the knowledge, tools, and equipment required to do the job properly and safely. It informs these Technicians of conditions that may occur on some vehicles, or provides information that could assist in proper vehicle service. The procedures should not be performed by 'do-it-yourselfers'. If you are not a Retailer, do not assume that a condition described affects your vehicle. Contact an authorized Jaguar service facility to determine whether this bulletin applies to a specific vehicle.

SECTION: 501-02

Service Action: Undertray Rework To Remove Steering Gear Gaiter Foul

AFFECTED VEHICLE RANGE:

XJ Range (X351)
Model Year: 2015
VIN: V75431-V76851

MARKETS:

NAS

CONDITION SUMMARY:

This Service Action supersedes Update Prior to Sale UPS5914 with immediate effect

Situation: A potential issue has been identified on a limited number of 2015 model year XJ (X351) vehicles where a noise and vibration from the front of the vehicle is evident when turning the steering wheel at low vehicle speeds.

Action: Retailers are required to **HOLD** only affected vehicles that are within your control and refrain from releasing the vehicles for new or used vehicle sale pending completion of the rework action detailed in this Technical Bulletin. Unsold vehicles should have this performed as part of the Pre-Delivery Inspection (PDI) process but **must** have it completed prior to vehicle handover to the customer. Affected vehicles already in the hands of customers should be updated at the next available opportunity.

PARTS:



NOTE: * when ordering parts, order only the expected percentage demand of parts identified

DESCRIPTION	PART No. / SUNDRY CODE	QTY. / VALUE	EXPECTED % of VEHICLES REQUIRING PARTS*
Rivet	XR813185	2	100

SPECIAL TOOLS:

Refer to Workshop Manual / Service Instruction for any required tools

WARRANTY:



NOTE: Check DDW to ensure that a vehicle is affected by this program prior to undertaking any rework action. Repair procedures are under constant review, and therefore times / prices are subject to change; those quoted here must be taken as guidance only. Refer to TOPIX to obtain the latest repair time. At the time of confirming a booking for vehicle repair, ensure that all outstanding Service Actions are identified to ensure the correct parts are available and adequate workshop time is allocated for

repairs to be completed at one visit.

Warranty claims must be submitted quoting Program Code '**K250**' together with the relevant Option Code from the table. The SRO and part information listed have been included for information only. The Option Code(s) that allows for the drive in / drive out allowance may only be claimed if the vehicle is brought into the workshop for this action alone to be undertaken.

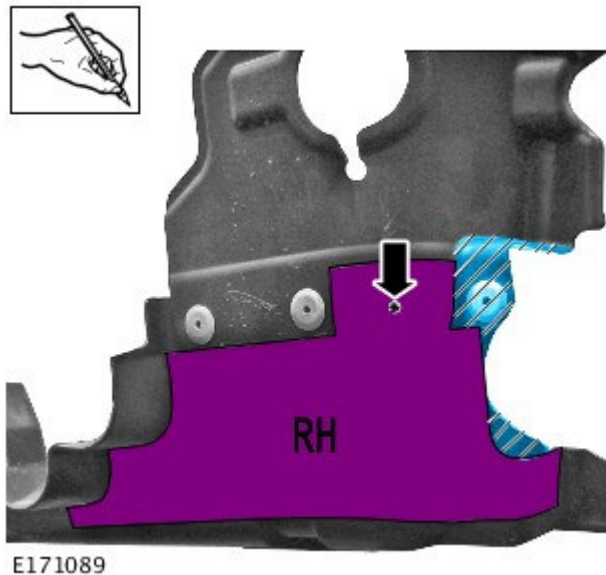
This program is valid for a limited time only. Warranty claims with a repair date prior to the **31 October 2016** closure date must be submitted for payment within 30 calendar days of completion of the repair.

PROGRAM CODE	OPTION CODE	DESCRIPTION	SRO	TIME (HOURS)	PARTS / SUNDRY CODE	QTY. / VALUE
K250	B	Front undertray modification - Both sides	05.10.60	0.60	XR813185	2
K250	C	Front undertray modification - Both sides Drive in/drive out	05.10.60 10.10.10	0.60 0.10	XR813185 -	2 -

Normal Warranty policies and procedures apply

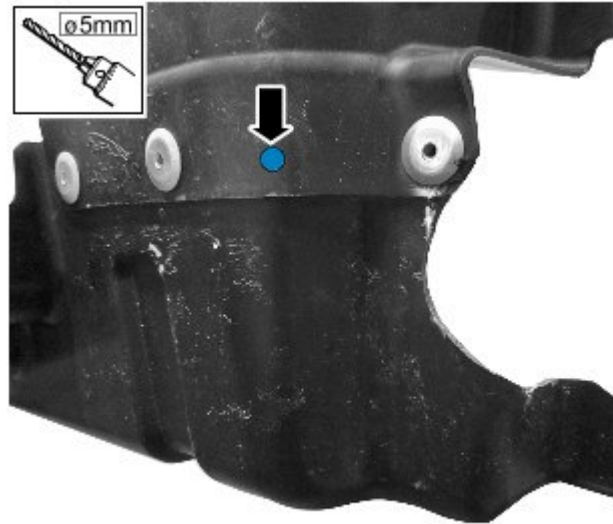
SERVICE INSTRUCTION:

1. Remove air deflector (see TOPIx Workshop Manual, Section 501-02).
2. From SSM71981, print off the left-hand and right-hand templates.
3. Install the right-hand template to the right-hand-side of undertray assembly.
 - Mark the new rivet location and excess to be removed from the undertray assembly.



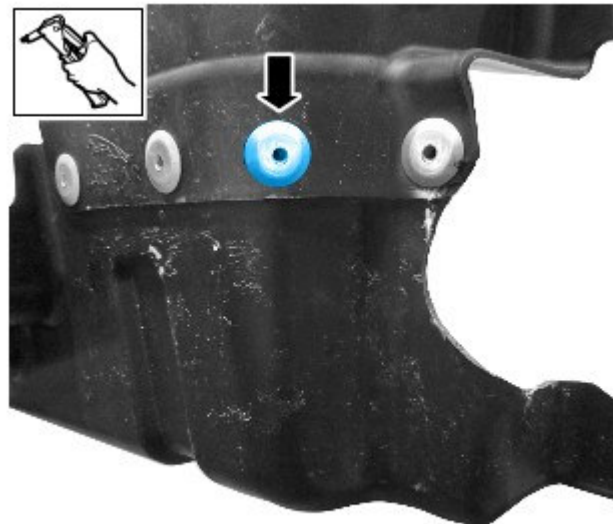
4. Remove and discard the template.

5. Drill the new rivet location in the undertray assembly.



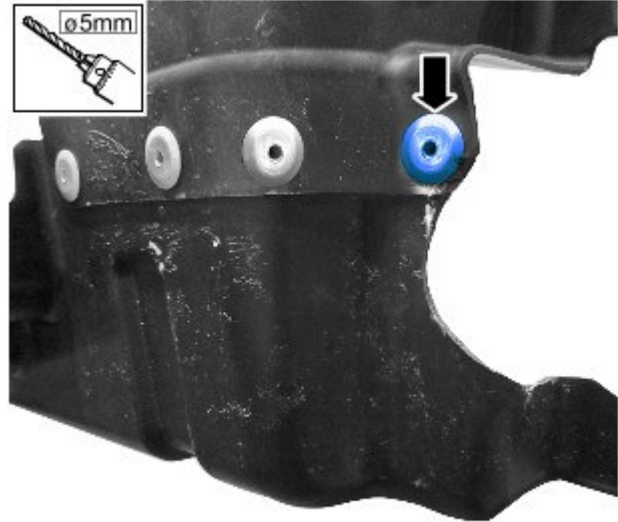
E171091

6. Using a suitable tool, install the new rivet in the undertray assembly.



E171092

7. Using a suitable tool, drill out the old rivet from the undertray assembly.



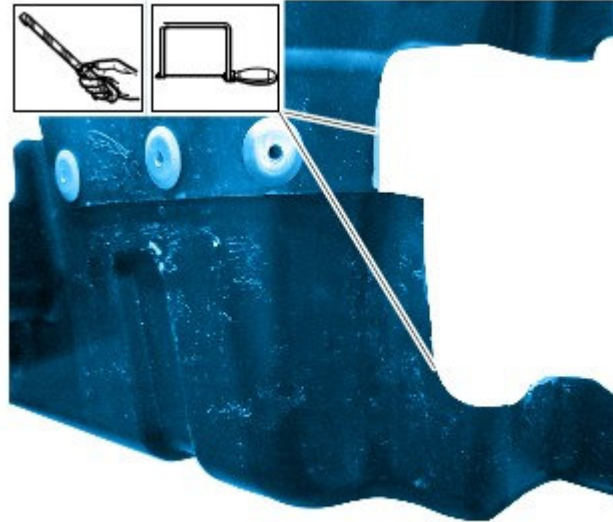
E171093

8. Using a suitable tool, cut away the marked up area in the undertray assembly.



E171090

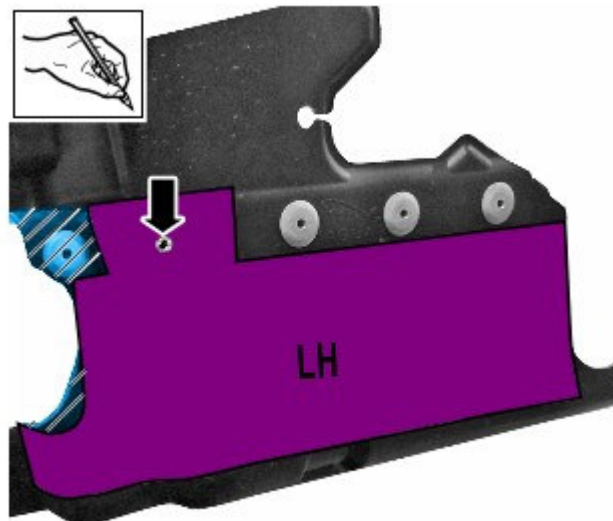
9. Using a suitable tool, remove any sharp edges from the undertray assembly.



E171094

10. Install the left-hand template to the left-hand undertray assembly.

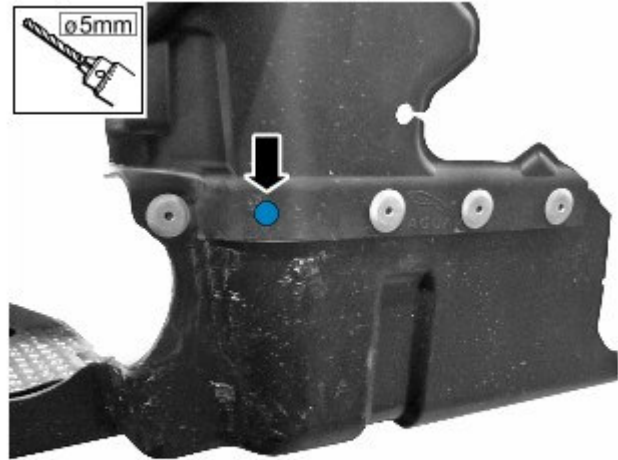
- Mark the new rivet location and excess to be removed from the undertray assembly.



E171095

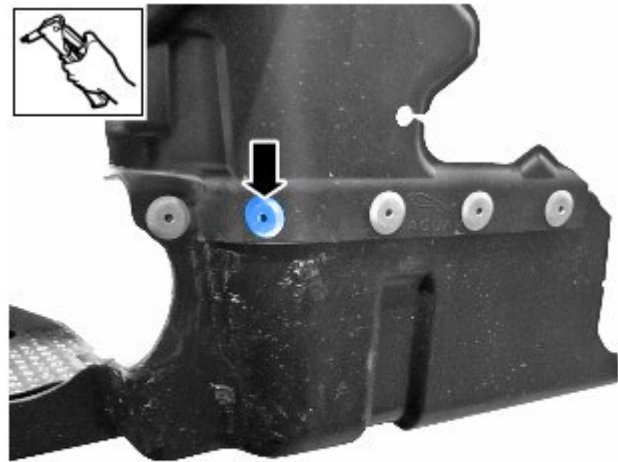
11. Remove and discard the template.

12. Drill the new rivet location in the undertray assembly.



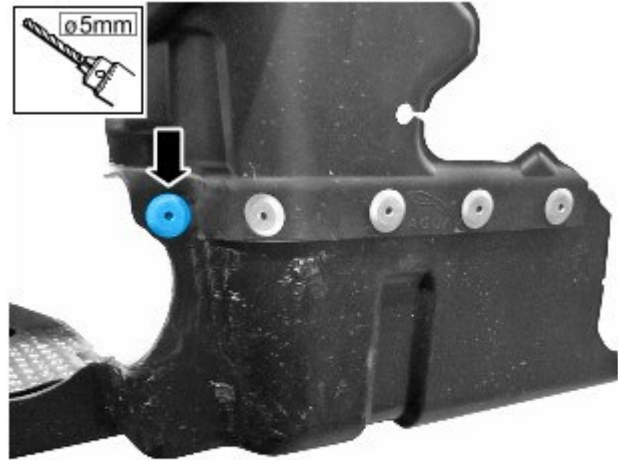
E171097

13. Using a suitable tool, install the new rivet in the undertray assembly.



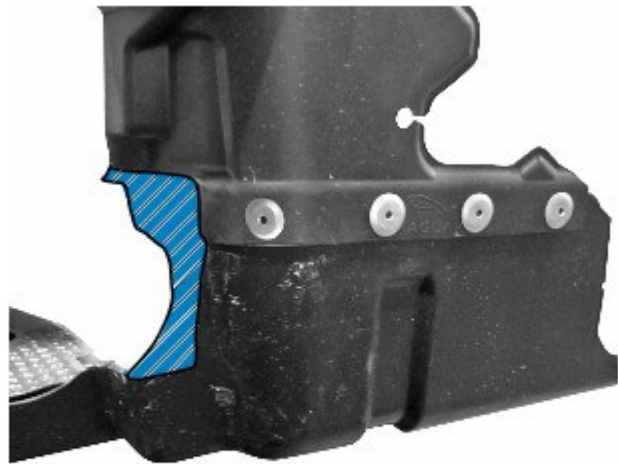
E171098

14. Using a suitable tool, drill out the old rivet from the undertray assembly.



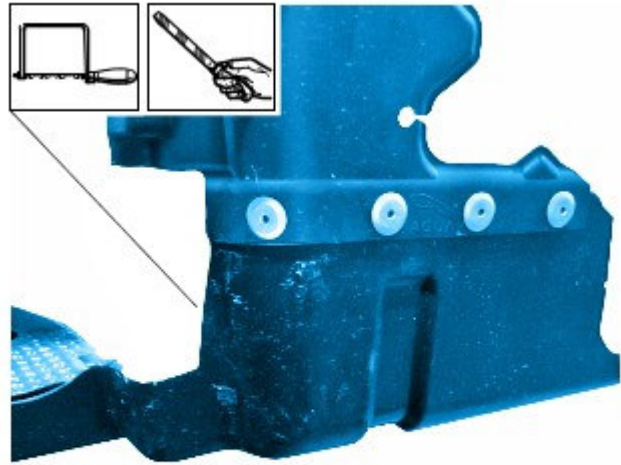
E171099

15. Using a suitable tool, cut away the marked up area in the undertray assembly.




E171096

16. Using a suitable tool, remove any sharp edges from the undertray assembly.

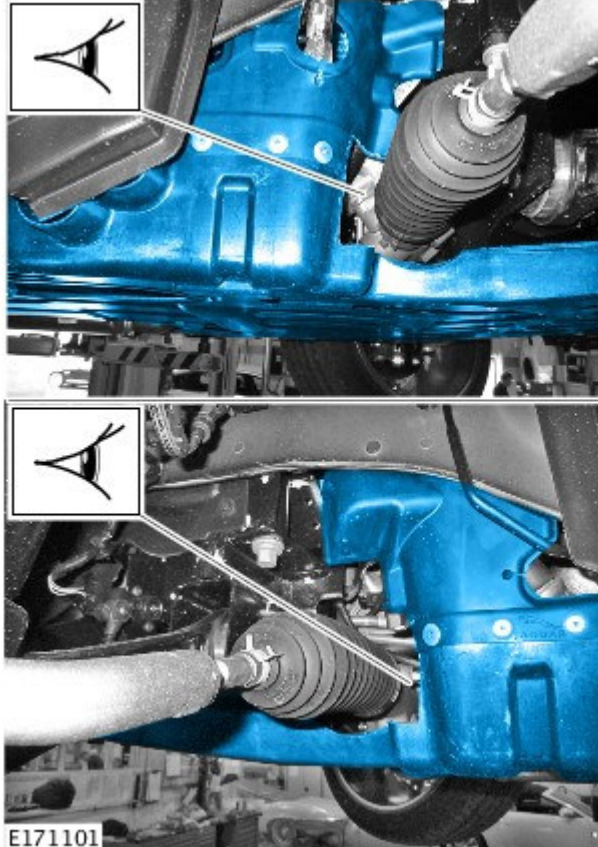


E171100

17. Install air deflector (see TOPIx Workshop Manual, section 501-02).

18.  **NOTE: Both left-hand-side and right-hand-side must be checked.**

Check that there is a minimum 18mm clearance between the steering gear gaiter and undershield.



E171101

