

TECHNICAL BULLETIN  
P046NAS4  
13 NOV 2014



© Jaguar Land Rover North America, LLC

NOTE: The information in Technical Bulletins is intended for use by trained, professional Technicians with the knowledge, tools, and equipment required to do the job properly and safely. It informs these Technicians of conditions that may occur on some vehicles, or provides information that could assist in proper vehicle service. The procedures should not be performed by 'do-it-yourselfers'. If you are not a Retailer, do not assume that a condition described affects your vehicle. Contact an authorized Land Rover service facility to determine whether this bulletin applies to a specific vehicle.

Changes are highlighted in gray

**SECTION: 501-02B**

Safety Recall: Supplementary Restraint System (SRS) Warning Lamp Illuminated

**AFFECTED VEHICLE RANGE:**

**LR2 (LF)**

**Model Year:** 2010-2015  
**VIN:** AH144657-FH424927

**Range Rover Evoque (LV)**

**Model Year:** 2012-2013  
**VIN:** CH000447-DH856579

**MARKETS:**

NAS

**CONDITION SUMMARY:**

This Service Instruction may be performed on all affected vehicles from SDD-DVD139.00 v184 software release.

**Situation:** A concern has been identified with the Supplementary Restraint System (SRS) passenger airbag which may be totally or partially disabled as a result of physical cell wear out of the Electrically Erasable Programmable Read-Only Memory (EEPROM) within the Occupant Classification Sensor Control Module (OCSCM). When this condition is detected by the SRS system self-test, completed at ignition on, the OCSCM will shut down. This condition results in Diagnostic Trouble Code (DTC) U0154-00 being set in the Restraints Control Module (RCM) along with continuous illumination of the SRS warning lamp on the Instrument Cluster. Range Rover Evoque vehicles will also illuminate the Passenger Airbag Disable indicator (PADi) lamp in the overhead console. The condition may clear on the next subsequent ignition cycle.

**Action:** Retailers are required to **HOLD** all affected vehicles that are within your control and refrain from releasing the vehicles for new or used vehicle sale pending completion of the rework action detailed in this Technical Bulletin. Unsold vehicles should have this performed as part of the Pre-Delivery Inspection (PDI) process but **must** have it completed prior to vehicle handover to the customer. Affected vehicles already in the hands of customers should be updated at the next available opportunity.

**PARTS:**

No parts required

**SPECIAL TOOLS:**



**NOTE:** This document is an 'Active Bulletin' that will display a functional programming shortcut if accessed within a diagnostic session using SDD.

SDD with latest SDD-DVD and Calibration File; first available on DVD139.00 v.184

Jaguar Land Rover-approved Midtronics Battery Power Supply

## **WARRANTY:**



**NOTE: Check DDW to ensure that a vehicle is affected by this program prior to undertaking any rework action. Repair procedures are under constant review, and therefore times / prices are subject to change; those quoted here must be taken as guidance only. Refer to TOPIx to obtain the latest repair time. At the time of confirming a booking for vehicle repair, ensure that all outstanding Service Actions are identified to ensure the correct parts are available and adequate workshop time is allocated for repairs to be completed at one visit.**

Warranty claims must be submitted quoting Program Code '**P046**' together with the relevant Option Code from the table. The SRO and part information listed have been included for information only. The Option Code(s) that allows for the drive in / drive out allowance may only be claimed if the vehicle is brought into the workshop for this action alone to be undertaken.

Warranty claims date must be submitted for payment within 30 calendar days of completion of the repair.

<b>PROGRAM CODE</b>	<b>OPTION CODE</b>	<b>DESCRIPTION</b>	<b>SRO</b>	<b>TIME (HOURS)</b>	<b>PARTS / SUNDRY CODE</b>	<b>QTY. / VALUE</b>
P046	B	Update Occupant Classification Sensor Control Module software	76.90.03	0.20	-	-
P046	C	Update Occupant Classification Sensor Control Module software Drive in/drive out	76.90.03 02.02.02	0.20 0.20	- -	- -

Normal Warranty policies and procedures apply

## **SERVICE INSTRUCTION:**



**CAUTION: A Jaguar Land Rover-approved Midtronics battery power supply must be connected to the vehicle battery during SDD diagnosis / module programming.**



**CAUTION: Ensure all ignition 'ON' / ignition 'OFF' requests are carried out; failure to perform these steps may cause damage to control modules in the vehicle.**




**NOTE: SDD must be loaded with DVD139.00 v.184 or later.**

1. Connect the Jaguar Land Rover-approved Midtronics battery power supply to the vehicle battery.
2. Turn ignition 'ON' (engine not running).
3. Connect the Symptom Driven Diagnostics (SDD) system to the vehicle and begin a new session.
4. Follow the on-screen prompts, allowing SDD to read the VIN and identify the vehicle and initiating the data

collect sequence.

5. Select 'Diagnosis' from the Session Type screen.
6. Select the 'Selected Symptoms' tab, and then select the following:
  - Electrical > Instruments > Warning lamps > Air bag warning lamp
7. Select the 'Recommendations' tab.
8. Locate any of the recommended publications listed there and select 'Read'.
9. Close the document selected in step 8.
10. Select the 'Extras' tab.
11. From the Recommendations list, select **Run** to perform the 'Configure existing module - Restraints occupant classification system module' option.

12.  **NOTE: Due to constraints within the Occupant Classification Sensor Control Module hardware design, the software download may fail on the first attempt and display 'An unspecified error has occurred'. In order to minimize this, the following instructions should be followed:**

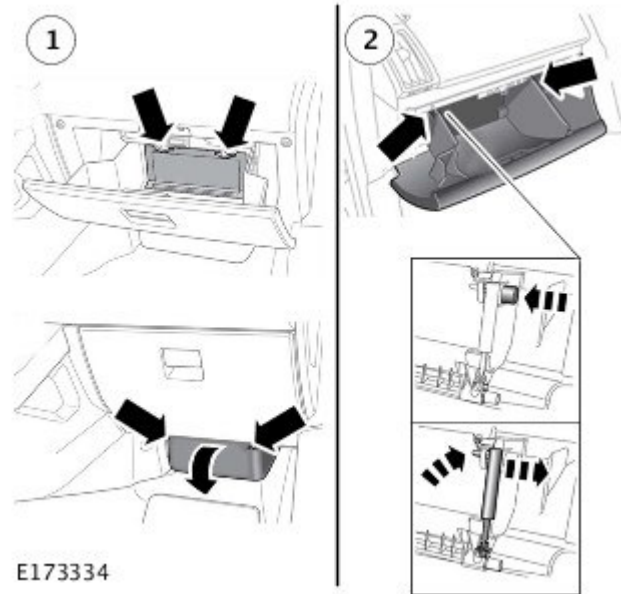
Once the software download parts confirmation screen is presented:

- Turn the ignition 'OFF'.
- Press the on-screen green ✓ (tick) to continue.
- Turn the ignition 'ON' when SDD displays a blue scroll bar in the center of the screen.
  - This should be within 10 seconds of pressing the green ✓ (tick) on the software download confirmation screen.
- If the software download fails, there will be an option presented to 'retry'.
  - Select 'retry' and perform the above steps again.
  - Should the download fail two (2) consecutive times, continue to the next step.

13.  **NOTE: This step only needs to be run if the software download above has failed two (2) times.**

Once the software download parts confirmation screen is presented, remove the OCSCM fuse (fuse number 60; fuse rating 5A).

- The fuse box is located in the passenger compartment:
  - '1' - Range Rover Evoque
  - '2' - LR2
- Press the on-screen green ✓ (tick) to continue.
- Install the previously removed OCSCM fuse when SDD displays a blue scroll bar in the center of the screen.
  - This should be within 10 seconds of pressing the green ✓ (tick) on the software download confirmation screen.
    - If the download is completed successfully, continue to the next step.
    - If the download fails again, please contact your local Technical HelpLine for assistance.



**14.** Follow all on-screen instructions to complete this task.

**15.** Exit the current session.

**16.** Disconnect the SDD and the battery power supply from the vehicle.